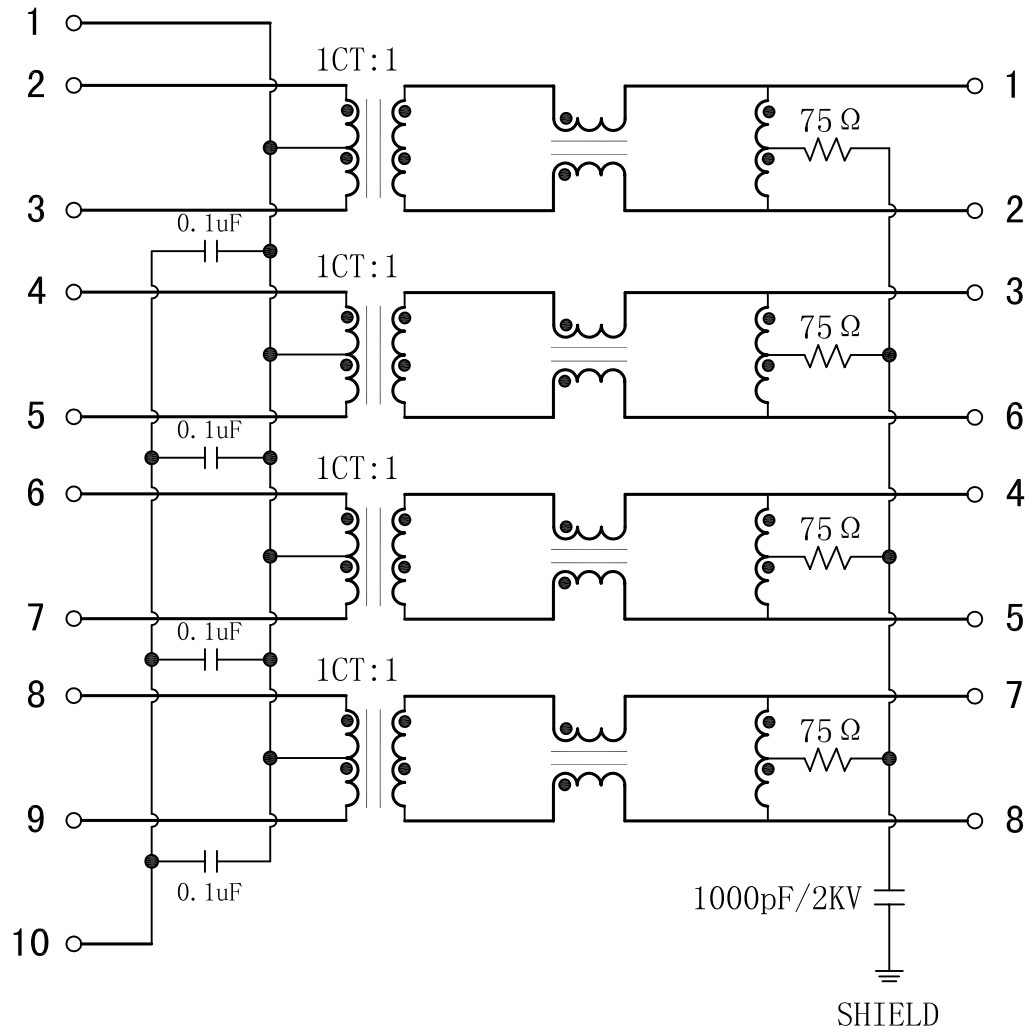




# Schematic:

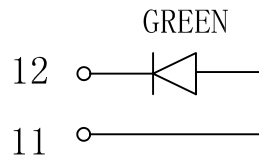
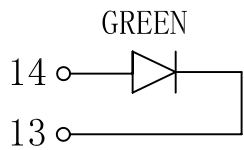
REV.	ECN NO.	DESCRIPTION	DATE	APPD
A	REL		20/10/2009	



## Electrical Specifications:

TEST NOTES (25 ± 5°C)

- TR: (100KHz, 0.1V):  
TX=1CT:1 ±2%      RX=1CT:1 ±2%
- LX(100KHz, 100mV, 8mA, DC Bias):  
350uH MIN
- HIPOT: 1500VAC FOR 60 SECONDS
- INSERTION LOSS:  
-1.0dB MAX @ 1.0MHz TO 100MHz
- RETURN LOSS:  
-18dB MIN @ 1MHz TO 30MHz  
-16dB MIN @ 30MHz TO 60MHz  
-12dB MIN @ 60MHz TO 80MHz
- CROSS TALK:  
-40dB MIN @ 1MHz TO 10MHz  
-35dB MIN @ 32MHz TO 60MHz  
-30dB MIN @ 60MHz TO 100MHz
- COMMON TO COMMON MODE REJECTION:  
-30dB MIN @ 1MHz TO 50MHz  
-20dB MIN @ 50MHz TO 150MHz
- HIPOT: 1500Vrms @60Hz.
- OPERATING TEMPERATURE: 0°C ~ 70°C.



X:X	±0.30	APPD:	X MULTIPLE
X:XX	±0.20	CHKD:	
X:XXX	±0.10	DR: C. H. Y	Title: RJ45 10/100/1000BASE-TX JACK/ Dual USB Combo
ANGLES	±1°	UNIT: mm	PART NO.: XMB-TRJU5202ACNL-BIV
	SCALE: 2/1	SHEET: 2/2	REV: A      DWG NO.: TRC09102004