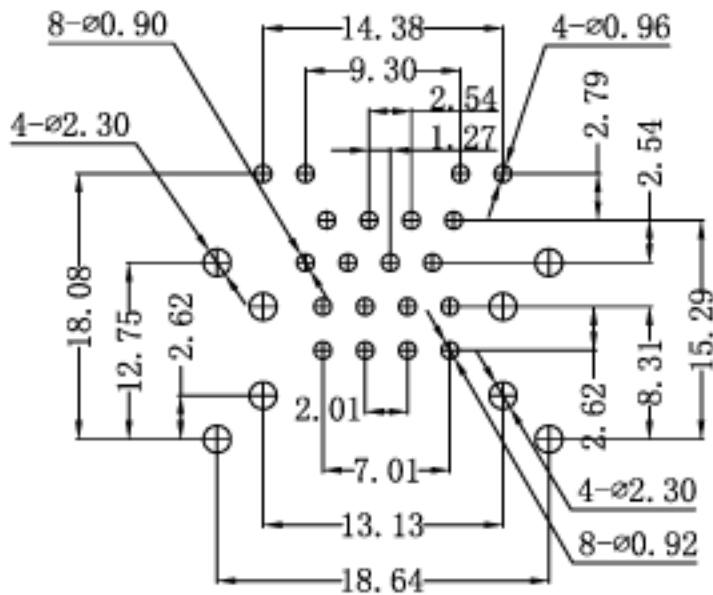
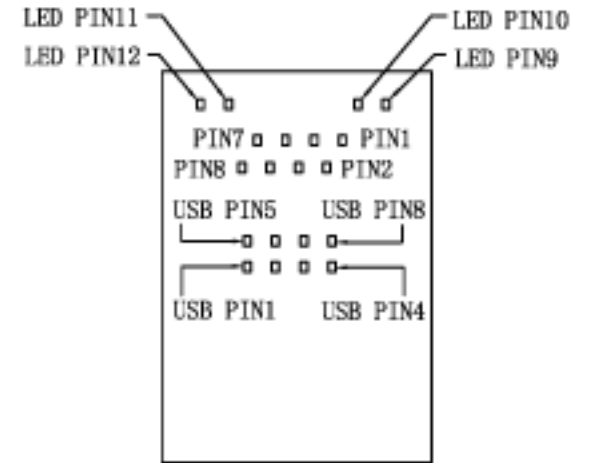
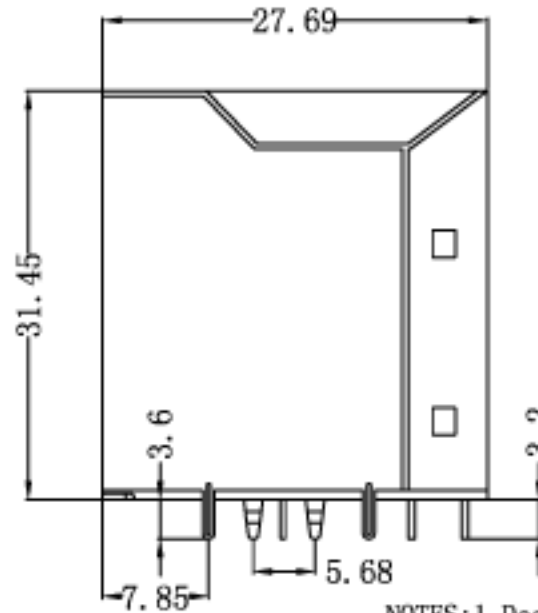
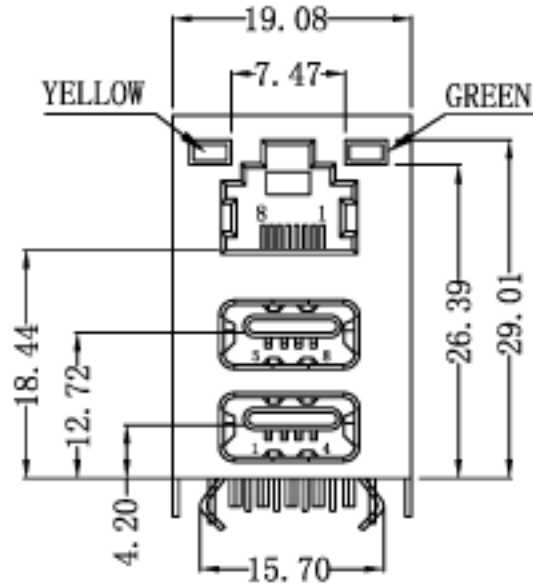


**Mechanical :**

REV.	ECN NO.	DESCRIPTION	DATE	APPD
A	REL		19/09/2009	



SUGGESTED PCB LAYOUT (TOP VIEW)

- NOTES: 1. Designed to support application, such as SOHO (ADSL modems), LAN-on-Motherboard (LOM), hub and Switches.  
 2. Meets IEEE 802.3 specification  
 3. Connector Materials:  
 Housing: Thermoplastic UL94V-0  
 Contact/Shield: Copper alloy  
 Shield plating: Nickel  
 RJ-45 Contact plating: Gold 6 micro-inches min. In contact area  
 USB Contact plating: Gold Flash.  
 4. Wave solder tip temperature: 265°C MAX  
 Wave solder tip temperature time: 5 sec.  
 5. UL Certification: File Number E321120

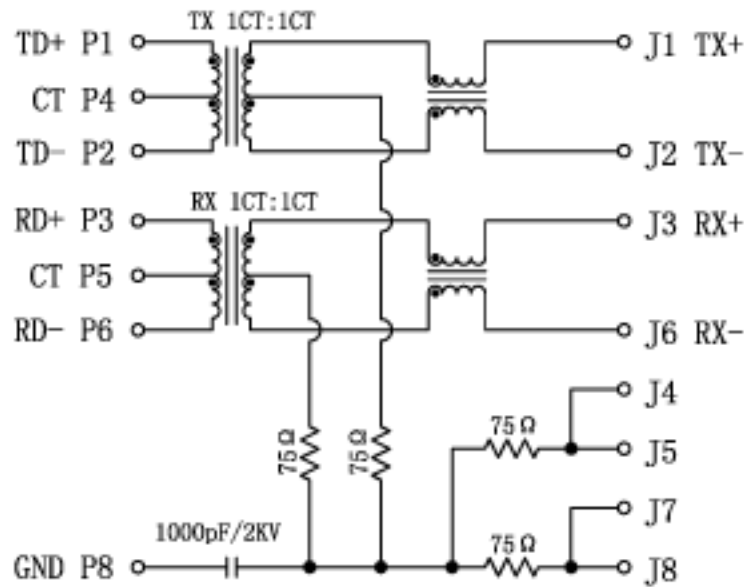


X:X	±0.20	APPD:	<b>XMULTIPLE</b>
X:XX	±0.10	CHKD:	
X:XXX	±0.05	DR: C. H. Y	TITLE: RJ45 10/100 BASE-TX JACK/Dual USB Combo
ANGLES	±1°	UNIT: mm	PART NO.: XMB-TRJU5111BGNL
	SCALE: 2/1	SHEET: 1/2	REV: A
			DWG NO.: TRC09091902

# Schematic:

REV.	ECN NO.	DESCRIPTION	DATE	APPD
A	REL		19/09/2009	

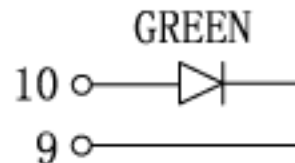
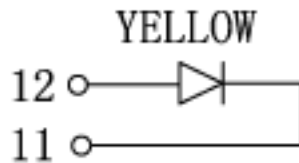
PC BOARD CONNECTIONS



RJ45 CONNECTOR

## ELECTRICAL SPECIFICATIONS @25°C

- Turn Ratio( $\pm 3\%$ ):  
TX=1CT:1CT      RX=1CT:1CT
- Inductance OCL:  
350uH MIN @100KHz, 0.1V, 8mA DC Bias.
- Insertion Loss:  
-1.0dB MAX @0.3-100MHz
- Return Loss:  
-20dB MIN @1-30MHz  
-15dB MIN @30-60MHz  
-10dB MIN @60-80MHz
- Cross talk:  
-30dB MIN @1-100MHz
- Common To Common Mode Rejection:  
-30dB MIN @1-100MHz
- Hipot Test:1500Vrms MIN
- Operating Temperature Range:0°C ~ 70°C.



X:X	$\pm 0.20$	APPD:	<b>XMULTIPLE</b>
X:XX	$\pm 0.10$	CHD:	
X:XXX	$\pm 0.05$	DR: C. H. Y	
ANGLES	$\pm 1^\circ$	UNIT: mm	TITLE: RJ45 10/100 BASE-TX JACK/Dual USB Combo
PART NO.: XMB-TRJU5111BGNL			
	SCALE: 2/1	SHEET: 2/2	REV: A    DWG NO.: TRC09091902