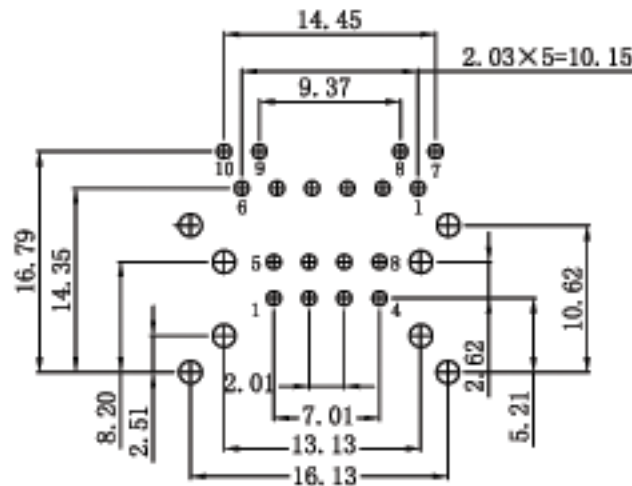
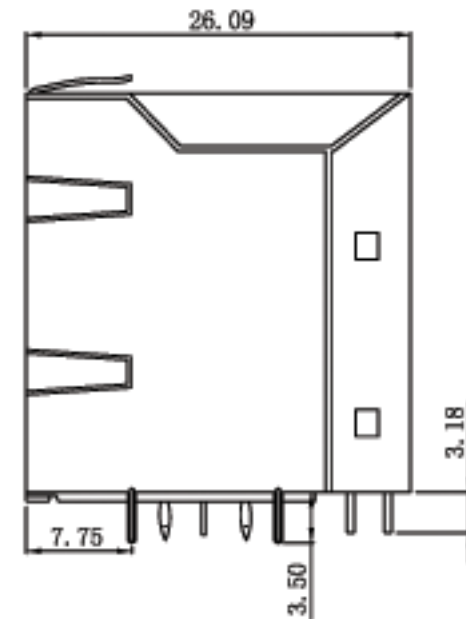
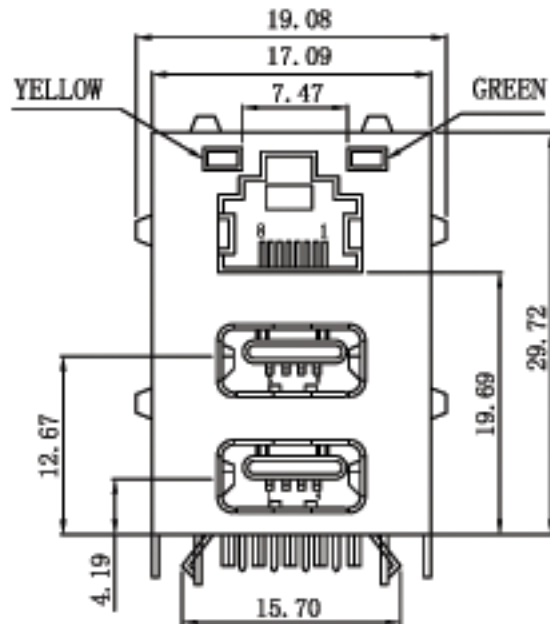


Mechanical :

REV.	ECN NO.	DESCRIPTION	DATE	APPD
A	REL.		29/07/09	



SUGGESTED PCB LAYOUT (TOP VIEW)

NOTES:

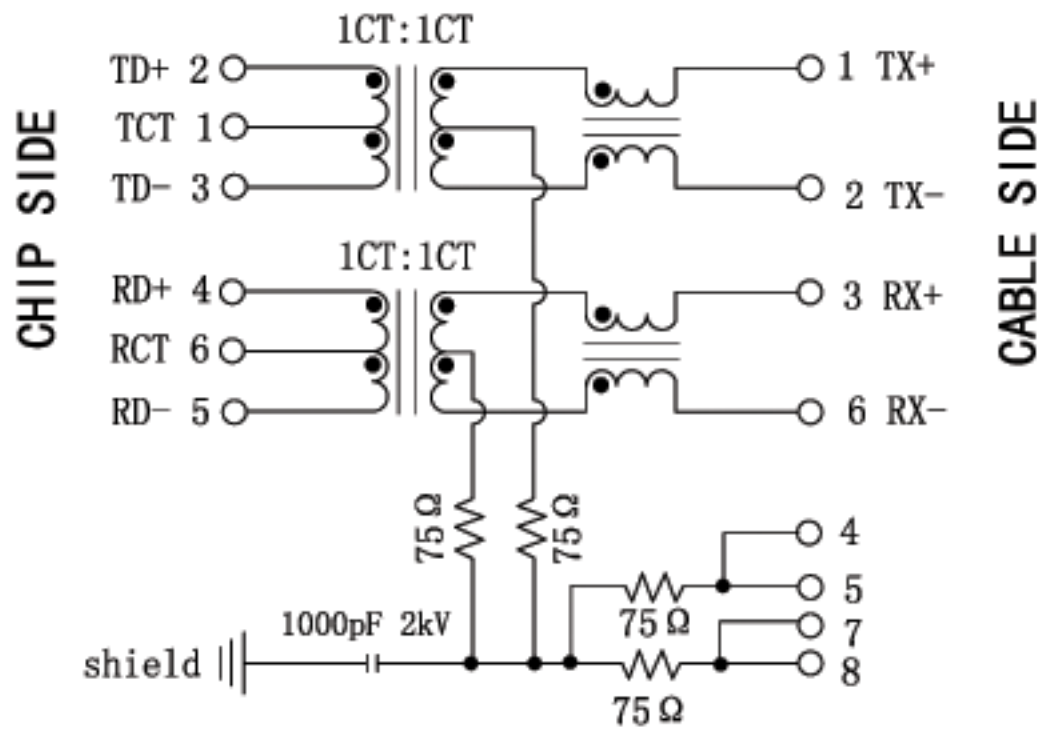
1. Designed to support application, such as SOHO (ADSL modems), LAN-on-Motherboard (LOM), hub and Switches.
2. Meets IEEE 802.3 specification
3. Connector Materials:
 Housing: Thermoplastic UL94V-0
 Contact/Shield: Copper alloy
 Shield plating: Nickel
 RJ-45 Contact plating: Gold 6 micro-inches min. In contact area
 USB Contact plating: Gold Flash.
4. Wave solder tip temperature: 265°C Max, 5 sec.



X:X	±0.20	APPD:	X MULTIPLE
X:XX	±0.10	CHKD:	
X:XXX	±0.05	DR: C.H.Y	Title: RJ45 10/100 Base-TX Jack/Dual USB Combo
ANGLES	±1°	UNIT: mm	PART NO. XMB-TRJU4111AGNL
	SCALE: 2/1	SHEET: 1/2	REV: A DWG NO.: TRC09072904

Schematic:

REV.	ECN NO.	DESCRIPTION	DATE	APPD
A	REL.		29/07/09	



Electrical Specification @25°C

1. TURNS RATIO:
TX=1CT:1CT RX=1CT:1CT
2. HIPOT: 1500Vrms Min
3. INSERTION LOSS:
-1.0dB Max @ 1MHz TO 100MHz
4. RETURN LOSS:
-18dB Min @ 1MHz TO 30MHz
-15dB Min @ 30MHz TO 60MHz
-12dB Min @ 60MHz TO 80MHz
-10dB Min @ 80MHz TO 100MHz
5. CROSS TALK:
-35dB Min @ 1MHz TO 100MHz
6. COMMON MODE REJECTION:
-40dB Min @ 30MHz
-35dB Min @ 60MHz
-30dB Min @ 100MHz
7. INDUCTANCE(@100KHz/0.1V 8mA_{dc}):
350uH Min.
8. Operating Temperature: 0°C ~ 70°C.



X:X	±0.20	APPD:	XMULTIPLE
X:XX	±0.10	CHND:	
X:XXX	±0.05	DR: C. H. Y	Title: RJ45 10/100 Base-TX Jack/Dual USB Combo
ANGLES	±1°	UNIT: mm	PART NO. XMB-TRJU4111AGNL
SCALE: 2/1		SHEET: 2/2	REV: A DWG NO.: TRC09072904