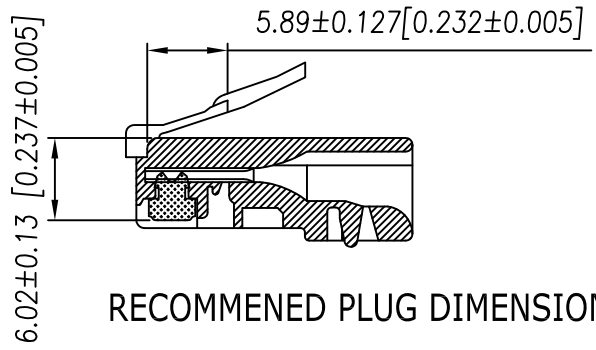
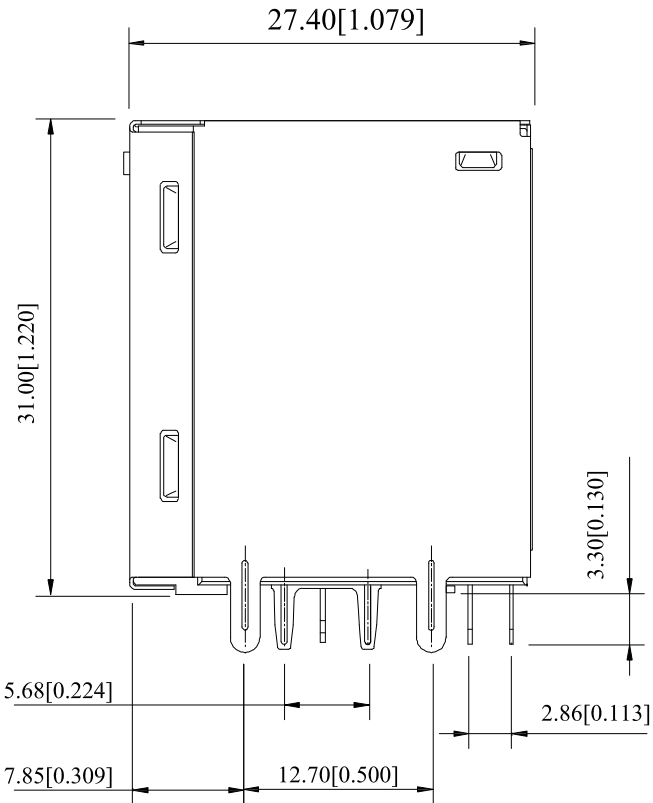
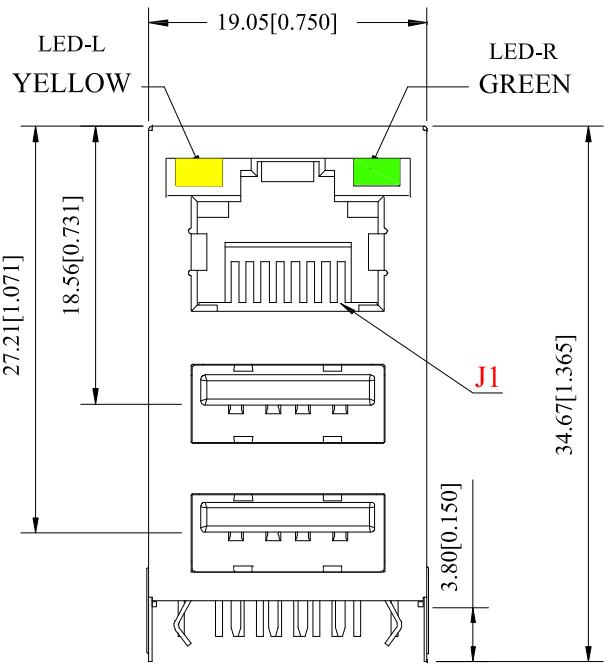


1 2 3 4 5 6 7 8

Part Number:
XMB-RDA-100C-08FO-YG



TOLERANCE UNSPECIFIED

.0	±0.38
.00	±0.25
.000	±0.10
ANGLE	±3.00°
MANUFACTURING COPY	

RoHS Compliant

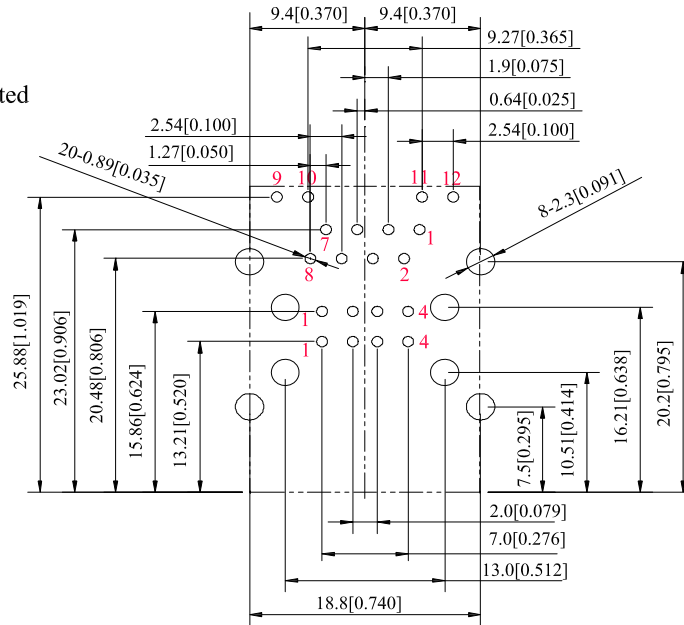
X MULTIPLE			CONNECTING THE INFORMATION AGE	
Xmultiple Technologies, Inc. 1060 Los Angeles Avenue Simi Valley, CA 93065			G/NO:	
THIS DRAWING IS A CONTROLLED DOCUMENT.			DWG NO: XMB-RDA-100C-08FO-YG	
TITLE: RJ45 With 2 USB Connectors, With LED, Shielded/Thru Hole/10/100Mbps /FILTER			DRAWN: MIN DING	
PART NO: XMB-RDA-100C-08FO-YG			CHKD: Michael Lin	
⊕	▱	UNIT mm[inch]	SHEET 2 of 1	REV 01
			DATE: 2012/9/03	

Feature:

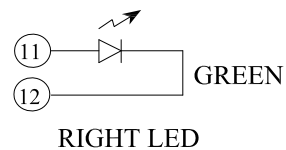
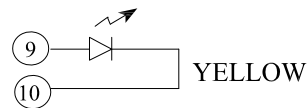
- Complies with IEEE standards and all 10/100 Ethernet specifications including 350uH with 8mA DC bias
- Contact: Phosphor Bronze, 6u-inch gold flashed unless specified
- Single port shield RJ45 with single USB
- Housing: Thermoplastic PBT+30%GF UL94V0 rated
- Operating temperature: 0 °C to +70 °C
- Storage temperature: -40 °C to +85 °C

Electrical Specifications: (25°C)

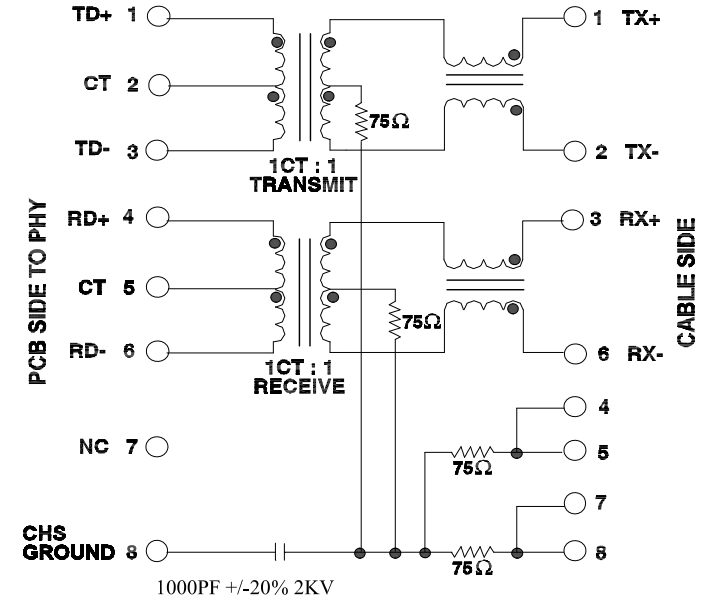
- Turns Ratio:
TX & Rx= 1:1 ±5%
- Insertion Loss:
@1~80MHz : -1.0dB Max
@ 100MHz:-1.5dB Max
- Return Loss:
@1~30MHz : -20dB Min
@ 60~80MHz : -12dB Min
- Common Mode Rejection:
@1~100MHz: -30dB Min
@200MHz: -20dB Min
- Crosstalk:
@1~100MHz : -35dB Min
- OCL:
@100KHz, 0.1V , 8mADC : 350uH Min
- Hi-Pot : 1200V AC, 1mA, 1Sec



Suggested PCB Layout(Component side view)



SCHEMATIC



RoHS Compliant

X MULTIPLE		CONNECTING THE INFORMATION AGE	
Xmultiple Technologies, Inc. 1060 Los Angeles Avenue Simi Valley, CA 93065		G/NO:	
THIS DRAWING IS A CONTROLLED DOCUMENT.		DWG NO: XMB-RDA-100C-08FO-YG	
TITLE: RJ45 With 2 USB Connectors, With LED, Shielded/Thru Hole/10/100Mbps /FILTER		DRAWN: MIN DING	
PART NO: XMB-RDA-100C-08FO-YG		CHKD: Michael Lin	
	UNIT	SHEET	REV
mm[inch]	2 of 2	01	DATE: 2012/9/03