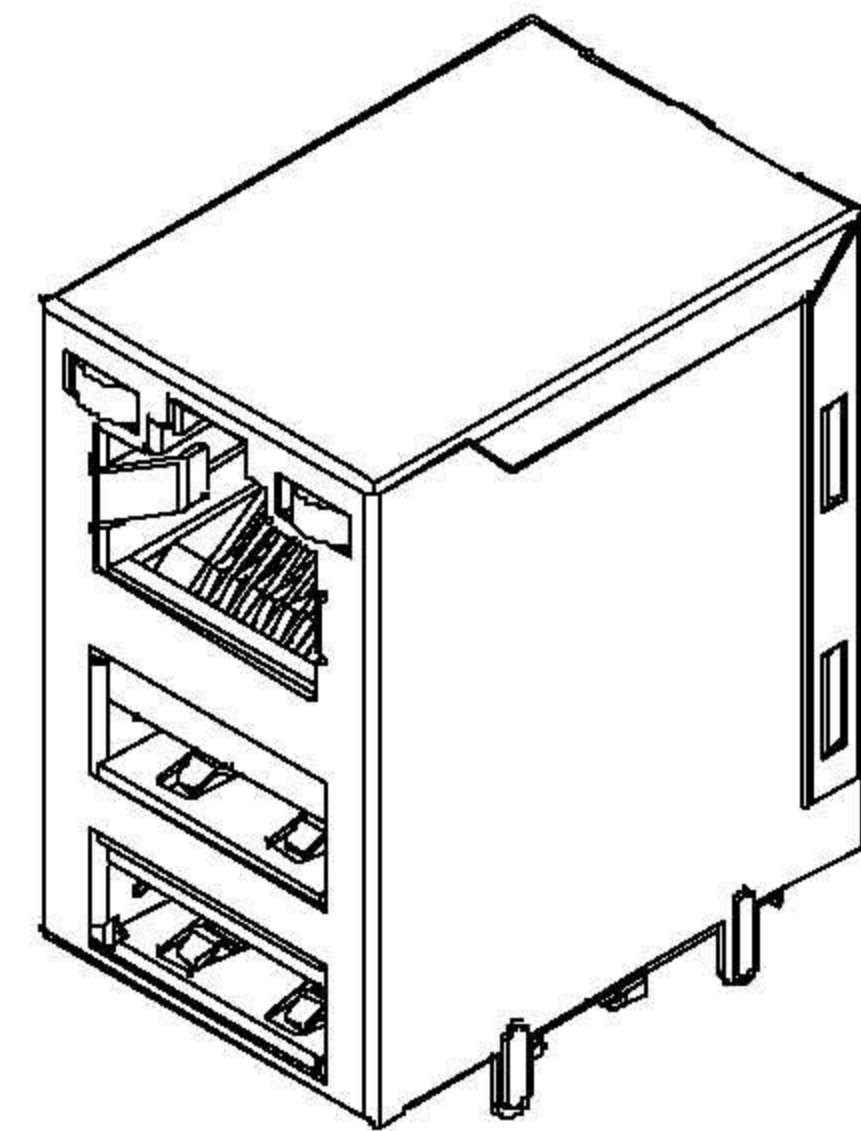
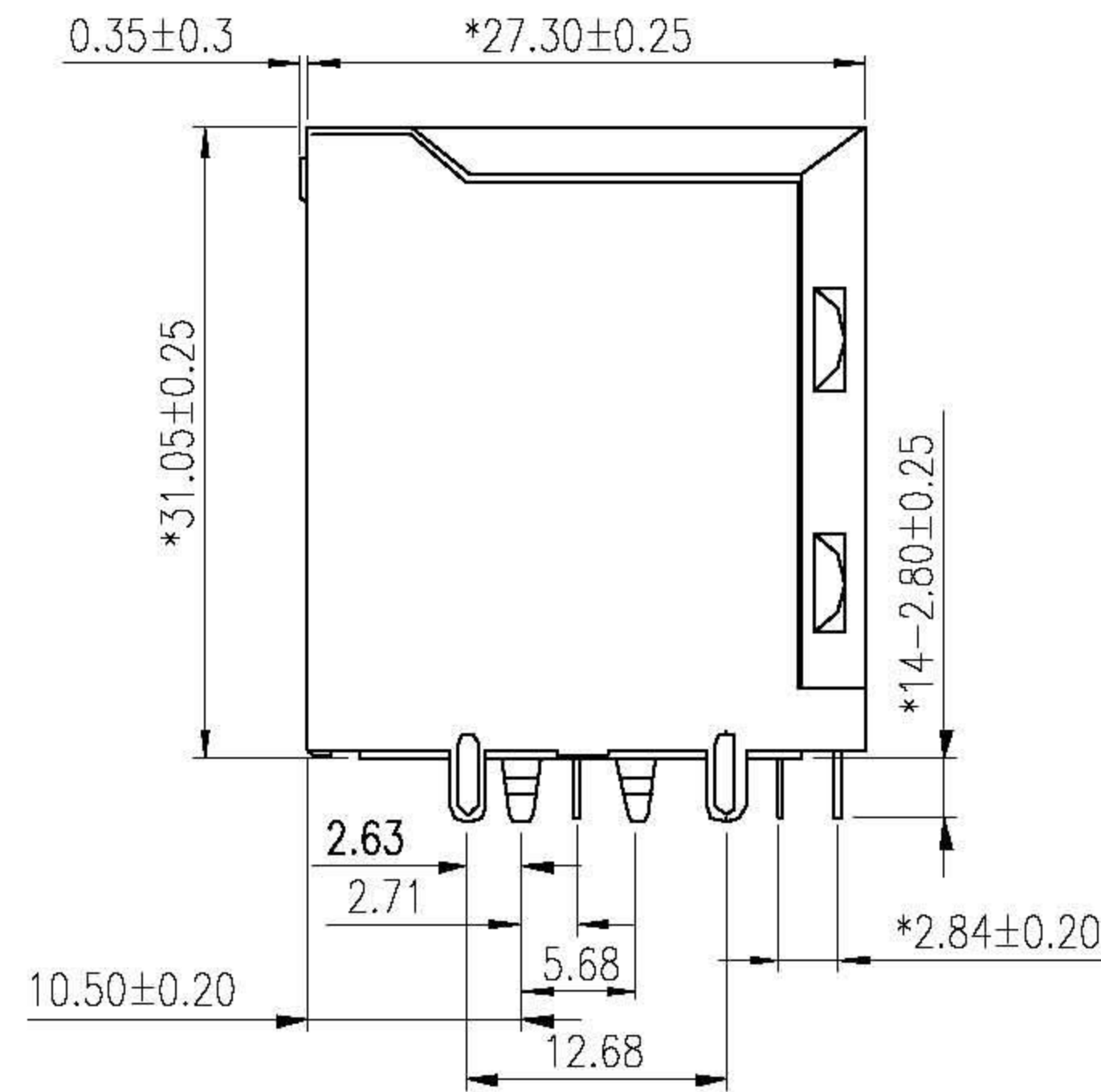
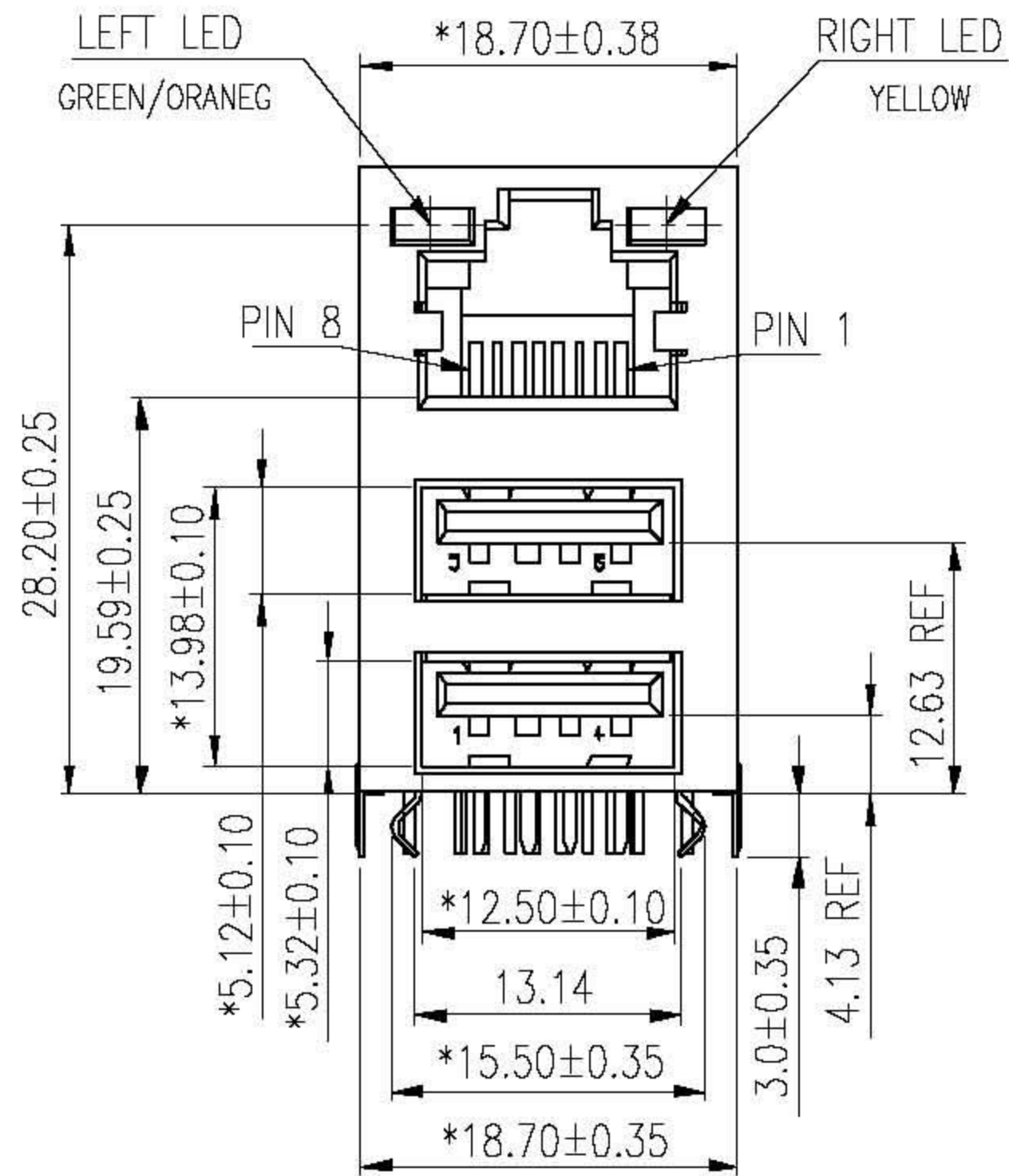


1. MECHANICAL DIMENSIONS :



NOTES:

- 1.INSULATOR: PBT+30%GF, BLACK COLOR
- 2.CONTACT:PHOSPHOR BRONZE. 0.35mm THICI SELECTIVE GOLD PLATED
- 3.SHIELD: SUS301 T=0.2mm±0.01

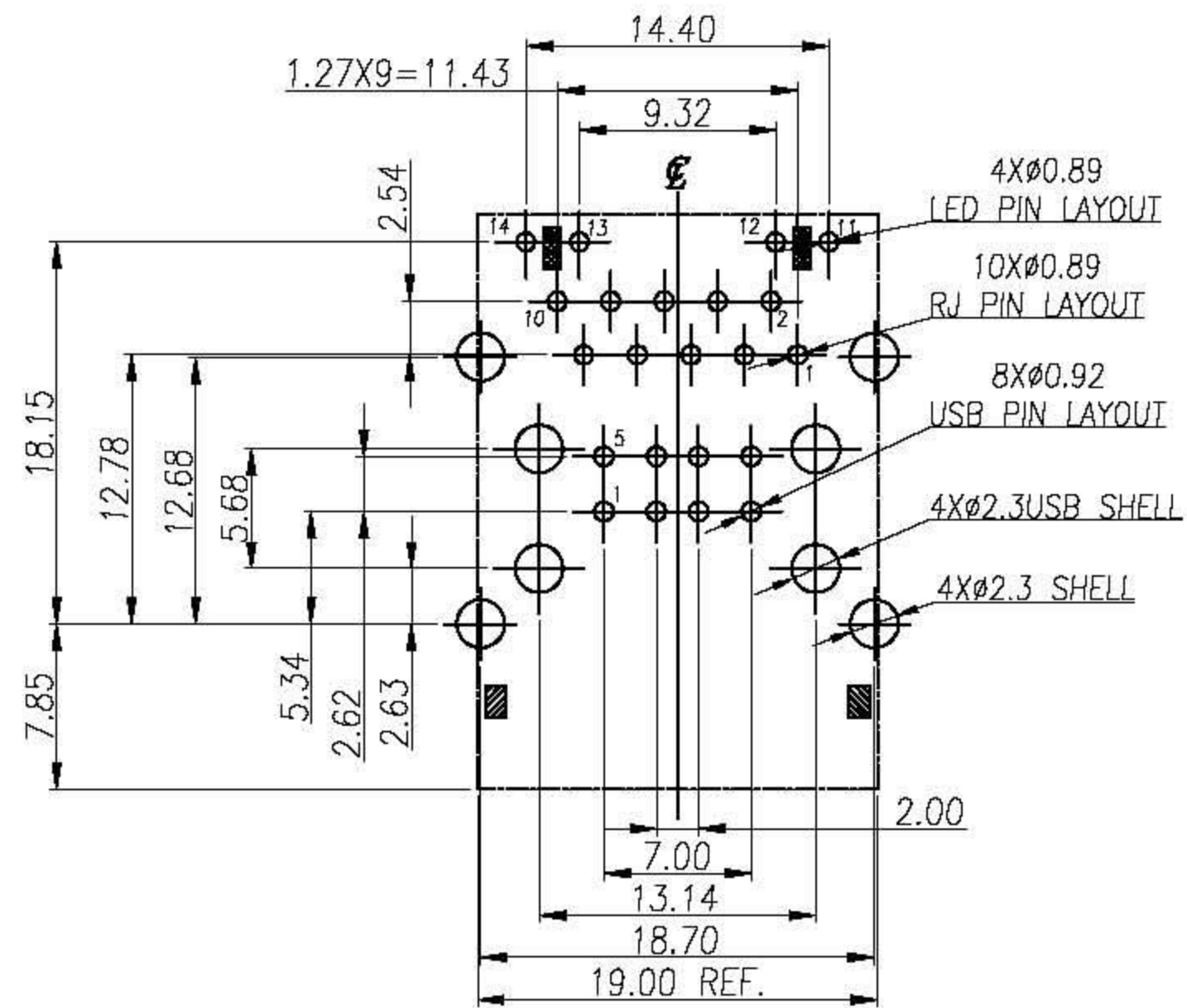
TOLERANCE UNSPECIFIED	
.0	±0.25
.00	±0.13
.000	±0.10
ANGLE	±3.00°
MANUFACTURING COPY	

Xmultiple

TITLE: RJ45 OVER USB CONNECTOR Shielded/Thru Hole/10/100Mbps FILTER

DRAWN BY	Jim Wang	SIZE: A4	UNIT: mm	PART NO.	XMB-LK-G70-N-E71-1-580	
CHECKED BY	Ann Yang	SCALE: 1:1	PROJECTION		REV.: A0	
DATE	2010.12.23	DWG NO.	LK-RJ-WST-031	SHEET	1 OF 3	

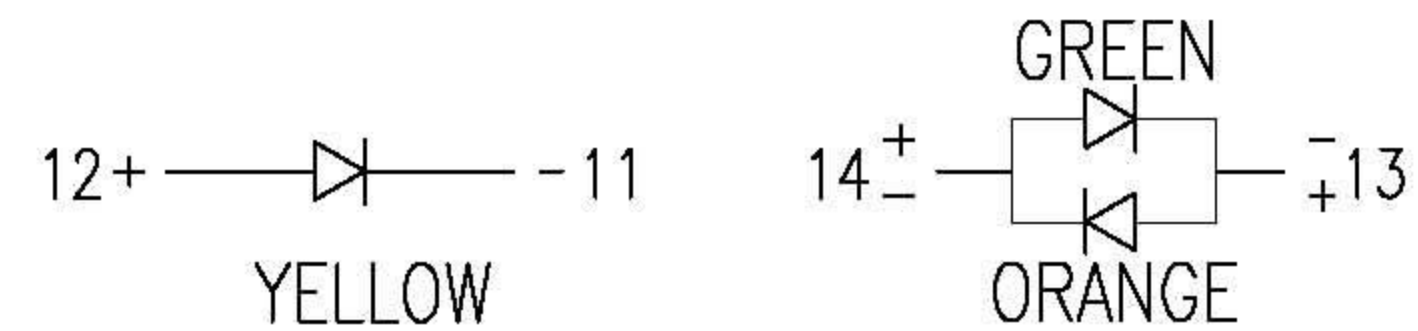
2. PCB LAYOUT :



RECOMMENDED PCB LAYOUT
COMPONENT SIDE

(ALL TOLERANCES ARE ± 0.05)

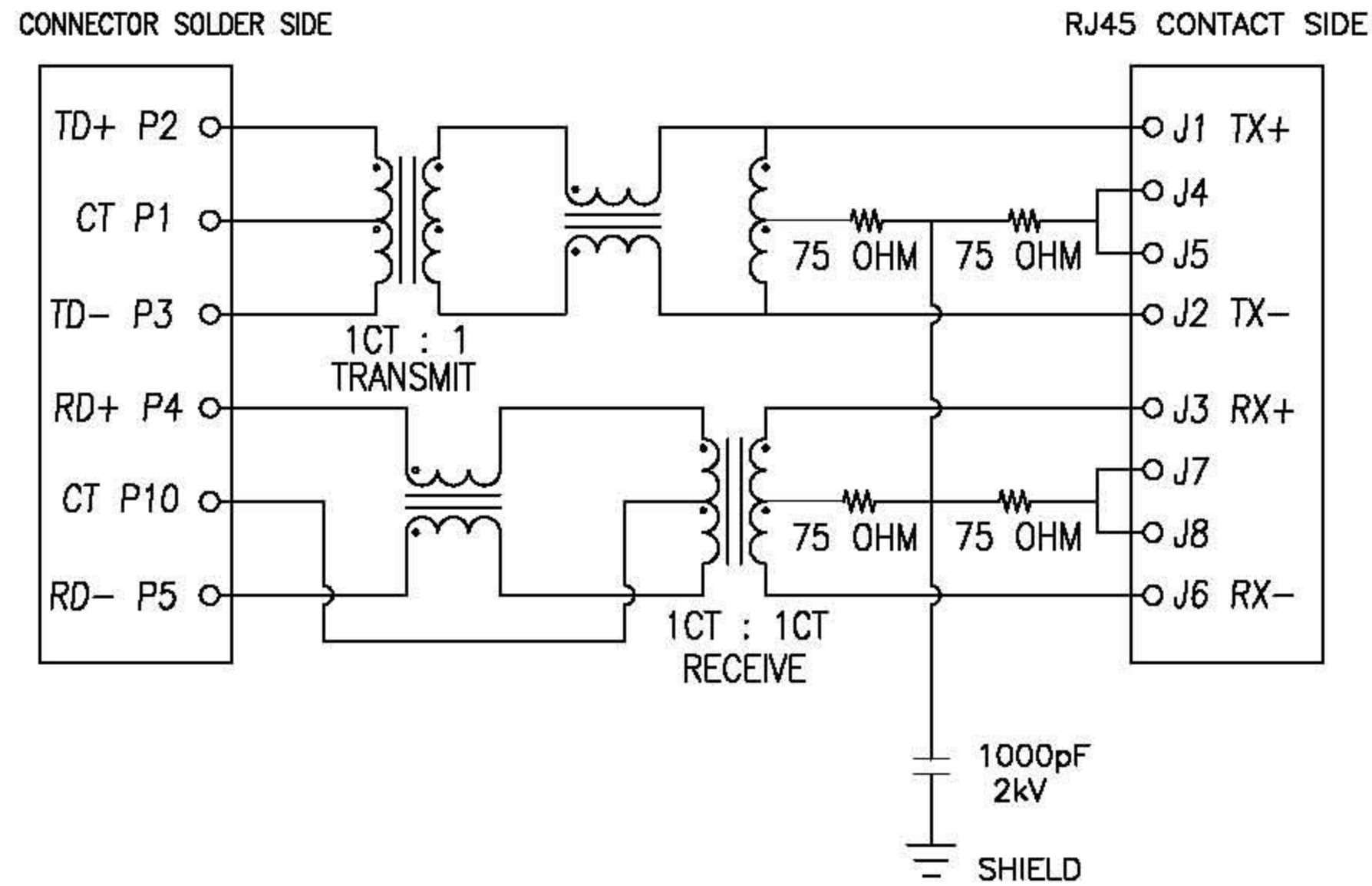
3. LED CONFIGURATION :



Color	Lens Color	Vf(v) @20mA		Iv(mcd) @10mA		Viewing angle
		Min	Max	Min	Typ	
Orange	White Diffused	1.7	2.6	1.8	4.0	2θ 1/2
Green		1.7	2.6	3.0	7.0	180
Yellow	Yellow Diffused	1.7	2.8	3.0	6.0	116

TOLERANCE UNSPECIFIED		<h1>Xmultiple</h1>					
.0	±0.25						
.00	±0.13	TITLE: RJ45 OVER USB CONNECTOR Shielded/Thru Hole/10/100Mbps FILTER					
.000	±0.10	DRAWN BY	Jim Wang	SIZE: A4	UNIT: mm	PART NO.	XMB-LK-G70-N-E71-1-580
ANGLE	±3.00°	CHECKED BY	Ann Yang	SCALE: 1:1	PROJECTION		REV.: A0
MANUFACTURING COPY		DATE	2010.12.23	DWG NO.	LK-RJ-WST-031	SHEET	2 OF 3

4. SCHEMATIC :



LK-G70-N-E71-1-580

PRODUCT SERIES

LED COLOR OPTION

PROTOCOL TYPE
E:10/100 Mbps, 5CORE

CIRCUIT TYPE

SPECIAL CODE
0: Standard

SHIELDED TYPE
8:NON-EMI FINGER

LED POLARITY
5:Bi-color,+ -

CONTACT PLATING
1:PLATED 3U"

5. ELECTRICAL CHARACTERISTICS :

TEST NOTES:(25±5°C)

1.TR:(100KHz,0.1V);

PINS:(P2-P3):(J1-J2)=1:1±3%

PINS:(P4-P5):(J3-J6)=1:1±3%

2.LX:(100KHz,100mV,8mA, DC Bias)

PINS:(P2,P3),(P4,P5)=350uH MINIMUM

3.DCR:

PINS:(J1-J2),(J3-J6)= 1.2 OHMS MAXIMUM

4.HIPOT:

PINS(P2,P1,P3)TO(J1,J2)=1500VAC FOR 60 SECONDS

PINS(P4,P10,P5)TO(J3,J6)=1500VAC FOR 60 SECONDS

5.INSERTION LOSS:

-1.0dB MAXIMUM AT 0.3MHz TO 100MHz;

6.RETURN LOSS:

-20dB MINIMUM AT 1MHz TO 30MHz;

-15dB MINIMUM AT 30MHz TO 60MHz

-10dB MINIMUM AT 60MHz TO 80MHz

7.CROSS TALK:

-30dB MINIMUM AT 1MHz TO 100MHz

8.COMMON TO COMMON MODE REJECTION:

-30dB MINIMUM AT 1MHz TO 100MHz

TOLERANCE UNSPECIFIED	
.0	±0.25
.00	±0.13
.000	±0.10
ANGLE	±3.00°
MANUFACTURING COPY	

Xmultiple

TITLE: RJ45 OVER USB CONNECTOR Shielded/Thru Hole/10/100Mbps FILTER

DRAWN BY	Jim Wang	SIZE: A4	UNIT: mm	PART NO.	XMB-LK-G70-N-E71-1-580
CHECKED BY	Ann Yang	SCALE: 1:1	PROJECTION		REV.: A0
DATE	2010.12.23	DWG NO.	LK-RJ-WST-031	SHEET	3 OF 3