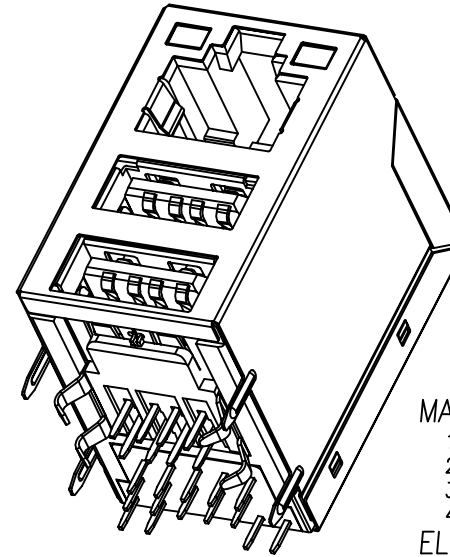
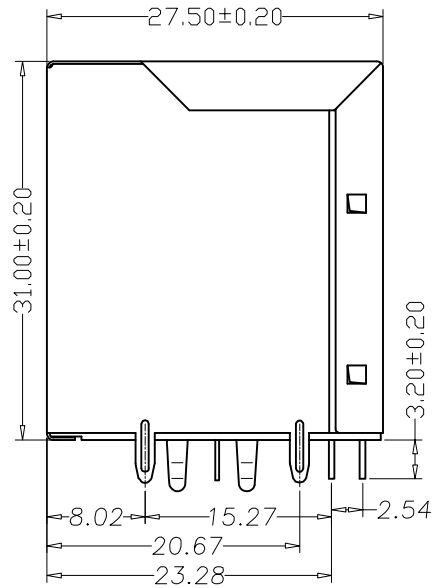
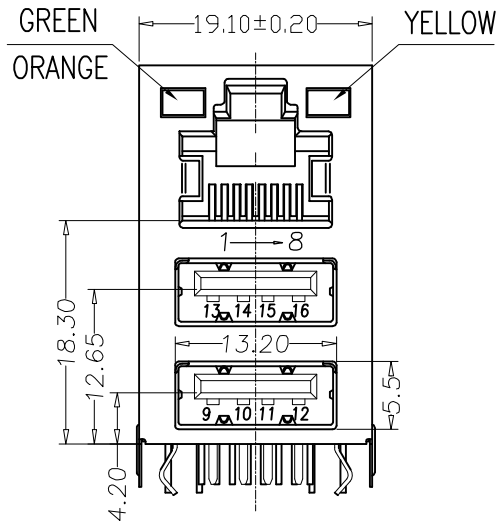


1. MECHANICAL DIMENSIONS :



MATERIAL:

- 1.INSULATOR: PBT+30%GF, BLACK COLOR
- 2.CONTACT:PHOSPHOR BRONZE,=0.35mm
- 3.SHIELD:COPPER ALLOY 0.2mm THICKNESS PLATING Ni.
- 4.PLATING:GOLD PLATING OVER NICKEL.

ELECTRICAL:

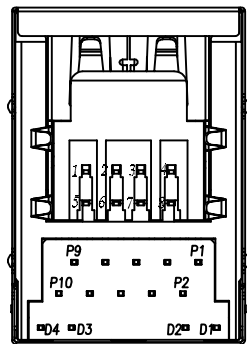
- 1.VOLTAGE RATING:125 VAC RMS.
- 2.CURRENT RATING:1.5 AMP.
- 3.CONTACT RESISTANCE:50 MILLIOHMS MAX.
- 4.INSULATION RESISTANCE:500 MEGOHMS MIN @ 500V DC.
- 5.DIELECTRIC WITHSTANDING RESISTANCE:1000V AC RMS 50Hz,1MIN.
- 6.LED RATINGS:FORWARD VOLTAGE:2.2 VOLTS TYPICAL.
REVERSE VOLTAGE:5 VOLTS MAXIMUM.

MECHANICAL:

- 1.DURRABILITY:750 CYCLES MIN.
- 2.PCB RETENTION PRE-SOLDER:1 LB MIN.

ENVIRONMENTAL:

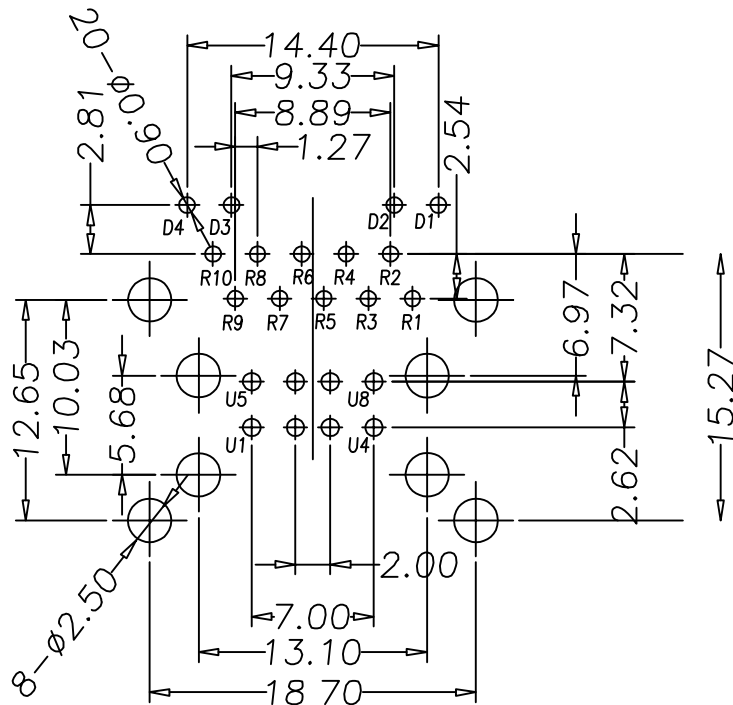
- 1.STORAGE:-40°C TO +85°C.
 - 2.OPERATION:0°C TO 70°C.
- MATES WITH MODULAR PLUG CONFORMING TO FCC PART 68,SUBPART F.



RoHS Compliant

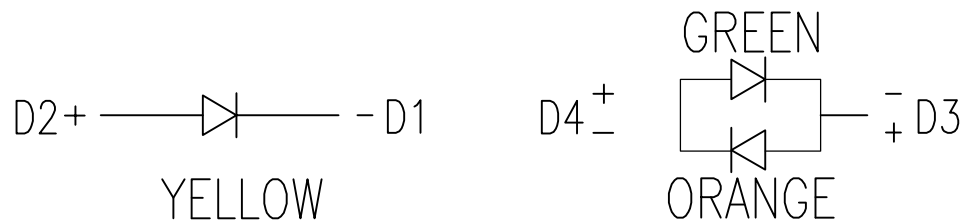
TOLERANCE UNSPECIFIED		X MULTIPLE		CONNECT THE INFORMATION AGF	
.0	±0.25				
.00	±0.13	TITLE: RJ45 OVER USB CONNECTOR Shielded/Thru Hole/100/1000Mbps FILTER			
.000	±0.10	SIZE: A4	UNIT: mm	PART NO.	XMB-G70-N-LB1-1-580
ANGLE	±3.00°	CHECKED BY	Ann Yang	SCALE: 1:1	PROJECTION
MANUFACTURING COPY		DATE	2009.03.25	DWG NO.	LK-RJ-WST-032
					SHEET
					REV.: A0
					1 OF 3

2. PCB LAYOUT :



RECOMMENDED PCB LAYOUT
 COMPONENT SIDE
 (ALL TOLERANCES ARE ±0.05)

3. LED CONFIGURATION :

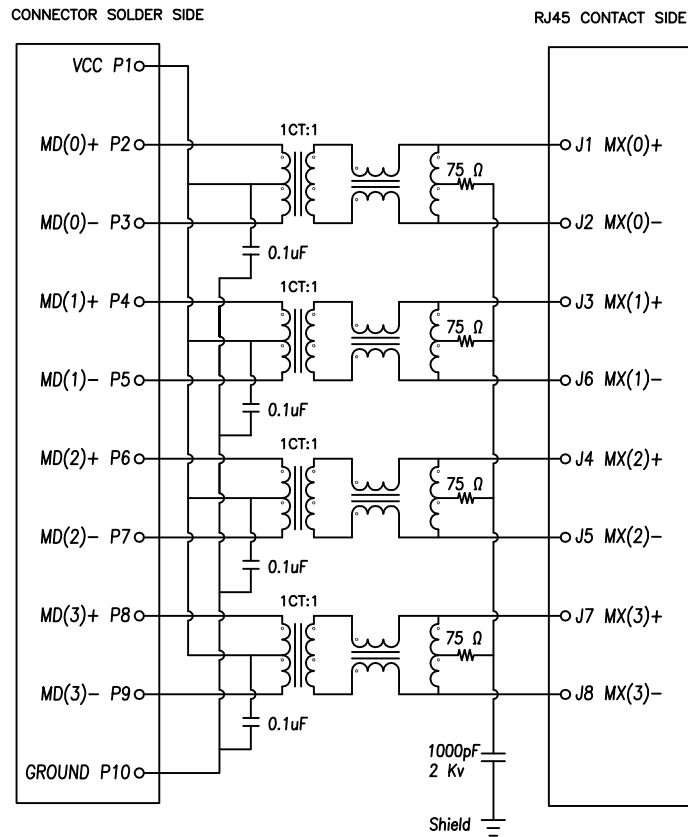


Color	Lens Color	Vf(v) @20mA		Iv(mcd) @10mA		Viewing angle
		Min	Max	Min	Typ	
Orange	White Diffused	1.7	2.6	1.8	4.0	180
Green		1.7	2.6	3.0	7.0	180
Yellow	Yellow Diffused	1.7	2.8	3.0	6.0	116

RoHS Compliant

TOLERANCE UNSPECIFIED		X MULTIPLE		CONNECT THE INFORMATION AGF	
.0	±0.25				
.00	±0.13	TITLE: RJ45 OVER USB CONNECTOR Shielded/Thru Hole/100/1000Mbps FILTER			
.000	±0.10	SIZE: A4	UNIT: mm	PART NO.	XMB-G70-N-LB1-1-580
ANGLE	±3.00°	CHECKED BY	Ann Yang	SCALE: 1:1	PROJECTION
MANUFACTURING COPY		DATE	2009.03.25	DWG NO.	LK-RJ-WST-032
					REV.: A0
					SHEET
					2 OF 3

4. SCHMATIC :



XMB-G70-N-LB1-1-580

PRODUCT SERIES ———

LED COLOR OPTION ———

PROTOCOL TYPE
H:100/1000 Mbps, 12CORE

CIRCUIT TYPE ———

SPECIAL CODE
0: Standard

SHIELDED TYPE
8:NON-EMI FINGER

LED POLARITY
5:Bi-color,+ -

CONTACT PLATING
1:PLATED 3U"

5. ELECTRICAL CHARACTERISTICS :

TEST NOTES:(25±5°C)

1.TR:(100KHz,0.1V);

PINS:(P2,P3):(J1,J2)=1:1±3%;(P4,P5):(J3,J6)=1:1±3%

PINS:(P6,P7):(J4,J5)=1:1±3%;(P8,P9):(J7,J8)=1:1±3%

2.LX:(100KHz,100mV,8mA, DC Bias)

PINS:(P2,P3),(P4,P5),(P6,P7),(P8,P9)=350uH MINIMUM

3.DCR:

PINS:(J1,J2),(J3,J6),(J4,J5),(J7,J8)= 1.2 OHMS MAXIMUM

4.HIPOT:

PINS(P2,P3)TO(J1,J2),(P4,P5)TO(J3,J6)=1500VAC FOR 60 SECONDS

PINS(P6,P7)TO(J4,J5),(P8,P9)TO(J7,J8)=1500VAC FOR 60 SECONDS

5.INSERTION LOSS:

-1.0dB MAXIMUM AT 0.3MHz TO 100MHz;

6.RETURN LOSS:

-20dB MINIMUM AT 1MHz TO 30MHz;

-15dB MINIMUM AT 30MHz TO 60MHz

-10dB MINIMUM AT 60MHz TO 80MHz

7.CROSS TALK:

-30dB MINIMUM AT 1MHz TO 100MHz

8.COMMON TO COMMON MODE REJECTION:

-30dB MINIMUM AT 1MHz TO 100MHz

RoHS Compliant

TOLERANCE UNSPECIFIED		X MULTIPLE		CONNECTIN THE INFORMATIO AGF	
.0	±0.25				
.00	±0.13	TITLE: RJ45 OVER USB CONNECTOR Shielded/Thru Hole/100/1000Mbps FILTER			
.000	±0.10	SIZE: A4	UNIT: mm	PART NO.	XMB-G70-N-LB1-1-580
ANGLE	±3.00°	CHECKED BY	Ann Yang	SCALE: 1:1	PROJECTION
MANUFACTURING COPY		DATE	2009.03.25	DWG NO.	LK-RJ-WST-032
				SHEET	3 OF 3