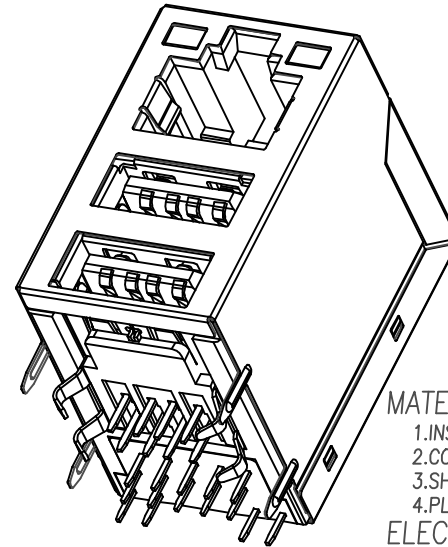
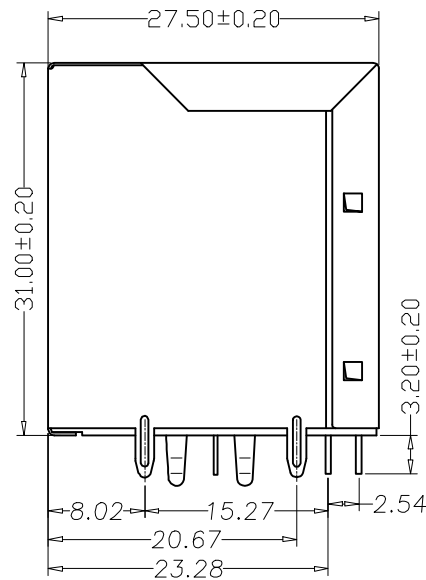
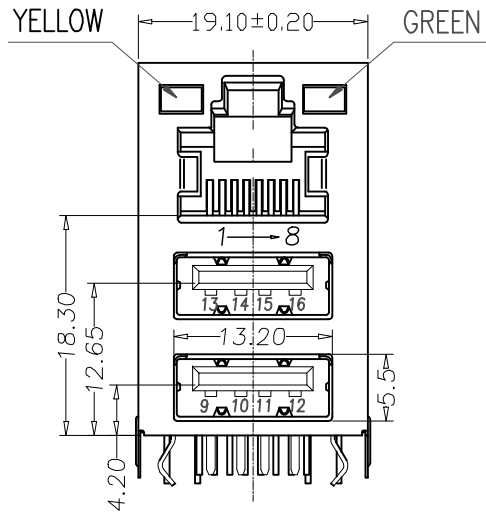


1. MECHANICAL DIMENSIONS :



MATERIAL:

- 1.INSULATOR: PBT+30%GF, BLACK COLOR
- 2.CONTACT:PHOSPHOR BRONZE,=0.35mm
- 3.SHIELD:COPPER ALLOY 0.2mm THICKNESS PLATING NI.
- 4.PLATING:GOLD PLATING OVER NICKEL.

ELECTRICAL:

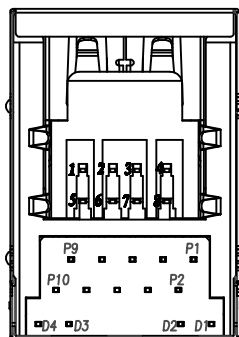
- 1.VOLTAGE RATING:125 VAC RMS.
- 2.CURRENT RATING:1.5 AMP.
- 3.CONTACT RESISTANCE:50 MILLIOHMS MAX.
- 4.INSULATION RESISTANCE:500 MEGOHMS MIN @ 500V DC.
- 5.DIELECTRIC WITHSTANDING RESISTANCE:1000V AC RMS 50Hz,1MIN.
- 6.LED RATINGS:FORWARD VOLTAGE:2.2 VOLTS TYPICAL. REVERSE VOLTAGE:5 VOLTS MAXIMUM.

MECHANICAL:

- 1.DURRABILITY:750 CYCLES MIN.
- 2.PCB RETENTION PRE-SOLDER:1 LB MIN.

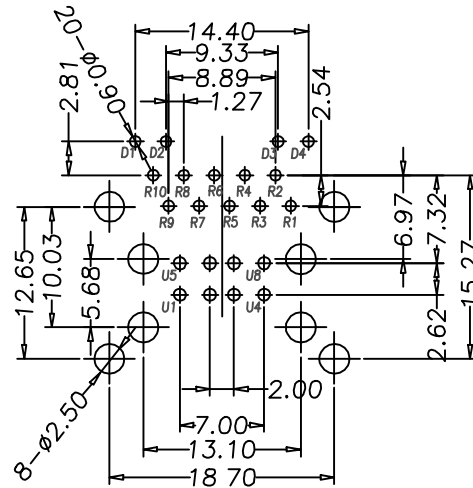
ENVIRONMENTAL:

- 1.STORAGE:-40°C TO +85°C.
 - 2.OPERATION:0°C TO 70°C.
- MATES WITH MODULAR PLUG CONFORMING TO FCC PART 68,SUBPART F.



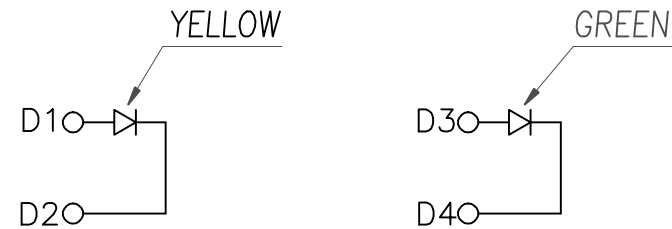
TOLERANCE UNSPECIFIED		X MULTIPLE		CONNECTIN THE INFORMATIO AGF	
.0	±0.25				
.00	±0.13	TITLE: RJ45 Connectors, W/LED, 10P, 8C,Shielded/Thru Hole/100/100Mbps FILTER			
.000	±0.10	SIZE: A4	UNIT: mm	PART NO.	XMB-G70-1-DAB-1-180
ANGLE	±3.00°	CHECKED BY	Ann Yang	SCALE: 1:1	PROJECTION
MANUFACTURING COPY		DATE	2010.04.25	DWG NO.	LK-RJ-WST-074
				SHEET	1 OF 3

2. PCB LAYOUT :



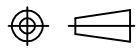


RECOMMENDED PCB LAYOUT
 COMPONENT SIDE
 (ALL TOLERANCES ARE ± 0.05)

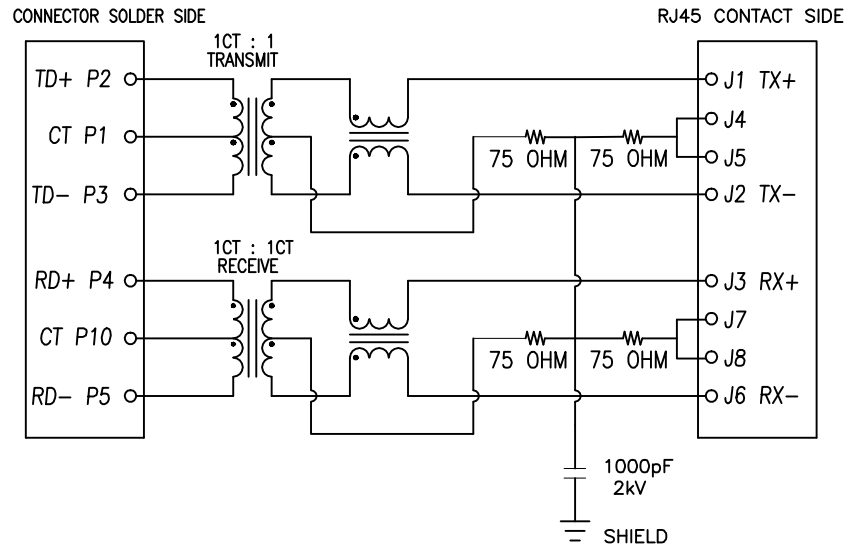
3. LED CONFIGURATION :



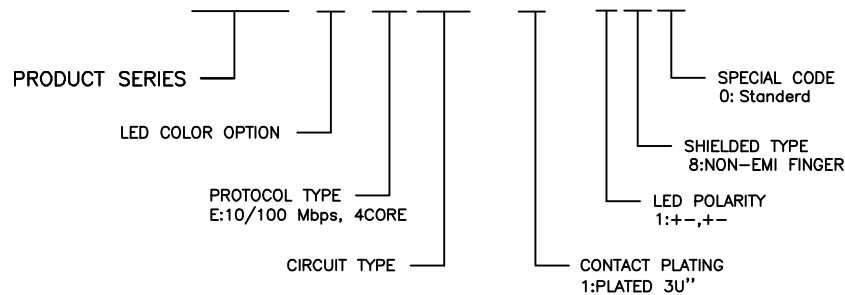
Color	Lens Color	Vf(v) @20mA		Iv(mcd) @10mA		Viewing angle
		Min	Max	Min	Typ	
Yellow	Yellow Diffused	1.7	2.8	3.0	6.0	2θ 1/2
Green	Green Diffused	1.7	2.8	3.5	6.0	116

TOLERANCE UNSPECIFIED		 					
.0	±0.25					TITLE: RJ45 Connectors, W/LED, 10P, 8C,Shielded/Thru Hole/100/100Mbps FILTER	
.00	±0.13	SIZE: A4	UNIT: mm	PART NO.	XMB-G70-1-DAB-1-180		
.000	±0.10	CHECKED BY	Ann Yang	SCALE: 1:1	PROJECTION		REV.: A0
ANGLE	±3.00°	DATE	2010.04.25	DWG NO.	LK-RJ-WST-074	SHEET	2 OF 3
MANUFACTURING COPY							

4. SCHMATIC :



XMB-G70-1-DAB-1-180



5. ELECTRICAL CHARACTERISTICS :

- TEST NOTES:(25±5°C)
- 1.TR:(100KHz,0.1V);
PINS:(P2-P3):(J1-J2)=1:1±3%
PINS:(P4-P5):(J3-J6)=1:1±3%
 - 2.LX:(100KHz,100mV,8mA, DC Bias)
PINS:(P2,P3),(P4,P5)=350uH MINIMUM
 - 3.DCR:
PINS:(J1-J2),(J3-J6)= 1.2 OHMS MAXIMUM
 - 4.HIPOT:
PINS(P2,P1,P3)TO(J1,J2)=1500VAC FOR 60 SECONDS
PINS(P4,P10,P5)TO(J3,J6)=1500VAC FOR 60 SECONDS
 - 5.INSERTION LOSS:
-1.0dB MAXIMUM AT 0.3MHz TO 100MHz;
 - 6.RETURN LOSS:
-20dB MINIMUM AT 1MHz TO 30MHz;
-15dB MINIMUM AT 30MHz TO 60MHz
-10dB MINIMUM AT 60MHz TO 80MHz
 - 7.CROSS TALK:
-30dB MINIMUM AT 1MHz TO 100MHz
 - 8.COMMON TO COMMON MODE REJECTION:
-30dB MINIMUM AT 1MHz TO 100MHz

TOLERANCE UNSPECIFIED		X MULTIPLE		CONNECTIN THE INFORMATIO AGF			
.0	±0.25						
.00	±0.13	TITLE: RJ45 Connectors, W/LED, 10P, 8C,Shielded/Thru Hole/100/100Mbps FILTER					
.000	±0.10	DRAWN BY	Jim Wang	SIZE:A4	UNIT: mm	PART NO.	XMB-G70-1-DAB-1-180
ANGLE	±3.00'	CHECKED BY	Ann Yang	SCALE:	1:1	PROJECTION	REV.: A0
MANUFACTURING COPY		DATE	2010.04.25	DWG NO.	LK-RJ-WST-074	SHEET	3 OF 3