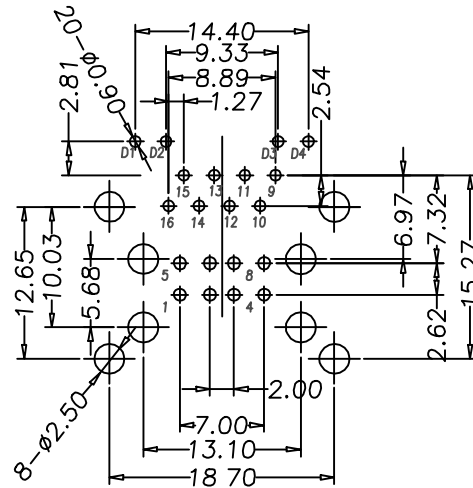
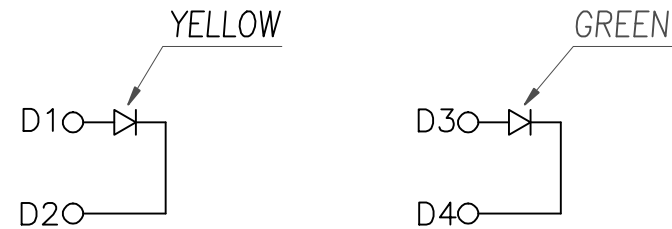


2. PCB LAYOUT :



RECOMMENDED PCB LAYOUT
 COMPONENT SIDE
 (ALL TOLERANCES ARE ± 0.05)

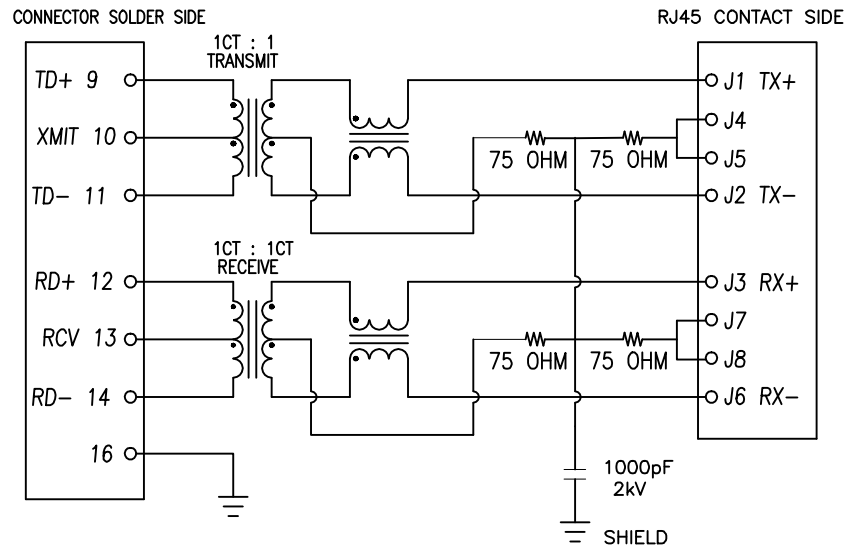
3. LED CONFIGURATION :



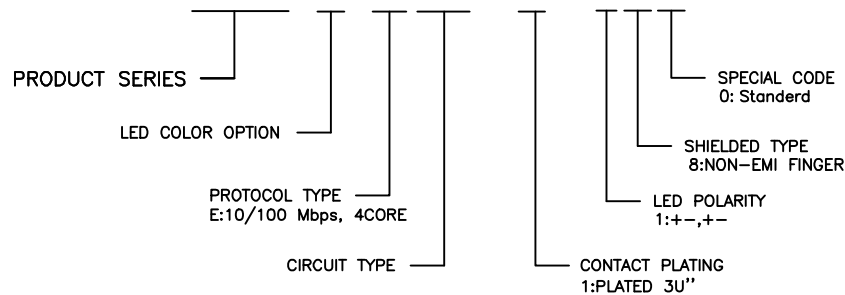
Color	Lens Color	Vf(v) @20mA		Iv(mcd) @10mA		Viewing angle
		Min	Max	Min	Typ	
Yellow	Yellow Diffused	1.7	2.8	3.0	6.0	2θ 1/2
Green	Green Diffused	1.7	2.8	3.5	6.0	116

TOLERANCE UNSPECIFIED							
.0	± 0.25						
.00	± 0.13	DRAWN BY	Jim Wang	SIZE: A4	UNIT: mm	PART NO.	XMB-G70-1-DAB-1-180
.000	± 0.10	CHECKED BY	Ann Yang	SCALE: 1:1	PROJECTION		REV.: A0
ANGLE	$\pm 3.00^\circ$	DATE	2010.04.25	DWG NO.	LK-RJ-WST-074	SHEET	2 OF 3
MANUFACTURING COPY							

4. SCHMATIC :



XMB-G70-1-DAB-1-180



5. ELECTRICAL CHARACTERISTICS :

TEST NOTES:(25±5°C)

- 1.TR:(100KHz,0.1V);
PINS:(P9-P11):(J1-J2)=1:1±3%
PINS:(P12-P14):(J3-J6)=1:1±3%
- 2.LX:(100KHz,100mV,8mA, DC Bias)
PINS:(P9,P11),(P12,P14)=350uH MINIMUM
- 3.DCR:
PINS:(J1-J2),(J3-J6)= 1.2 OHMS MAXIMUM
- 4.HIPOT:
PINS(P9,P10,P11)TO(J1,J2)=1500VAC FOR 60 SECONDS
PINS(P12,P113,P14)TO(J3,J6)=1500VAC FOR 60 SECONDS
- 5.INSERTION LOSS:
-1.0dB MAXIMUM AT 0.3MHz TO 100MHz;
- 6.RETURN LOSS:
-20dB MINIMUM AT 1MHz TO 30MHz;
-15dB MINIMUM AT 30MHz TO 60MHz
-10dB MINIMUM AT 60MHz TO 80MHz
- 7.CROSS TALK:
-30dB MINIMUM AT 1MHz TO 100MHz
- 8.COMMON TO COMMON MODE REJECTION:
-30dB MINIMUM AT 1MHz TO 100MHz

TOLERANCE UNSPECIFIED							
.0	±0.25						
.00	±0.13	TITLE: RJ45 Connectors, W/LED, 10P, 8C,Shielded/Thru Hole/100/100Mbps FILTER					
.000	±0.10	DRAWN BY	Jim Wang	SIZE: A4	UNIT: mm	PART NO.	XMB-G70-1-DAB-1-180
ANGLE	±3.00°	CHECKED BY	Ann Yang	SCALE:	1:1	PROJECTION	REV.: A0
MANUFACTURING COPY		DATE	2010.04.25	DWG NO.	LK-RJ-WST-074	SHEET	3 OF 3