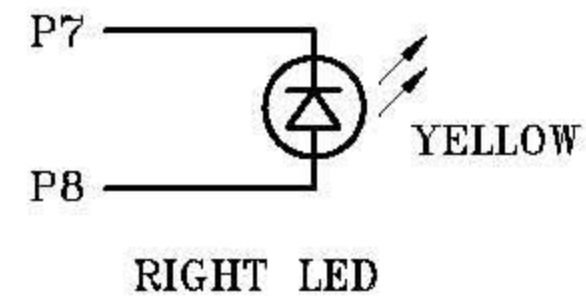
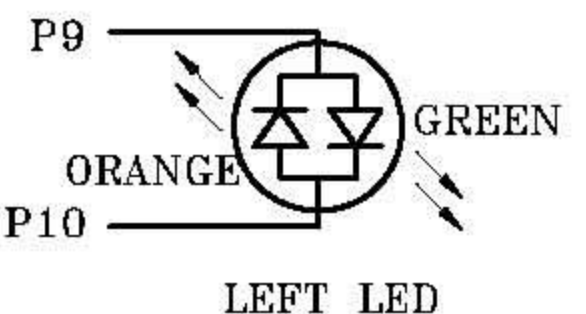


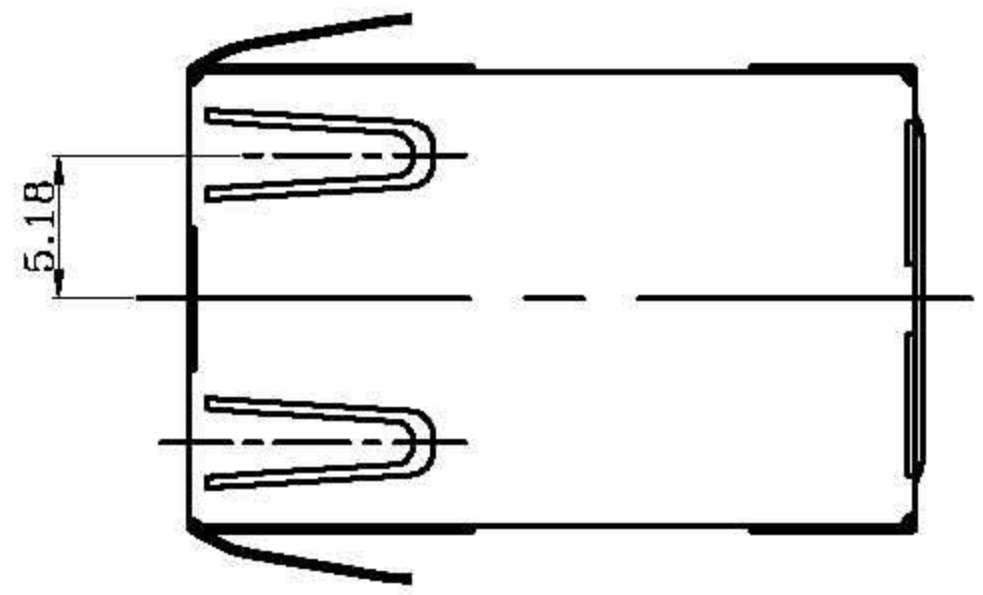
1



RIGHT LED



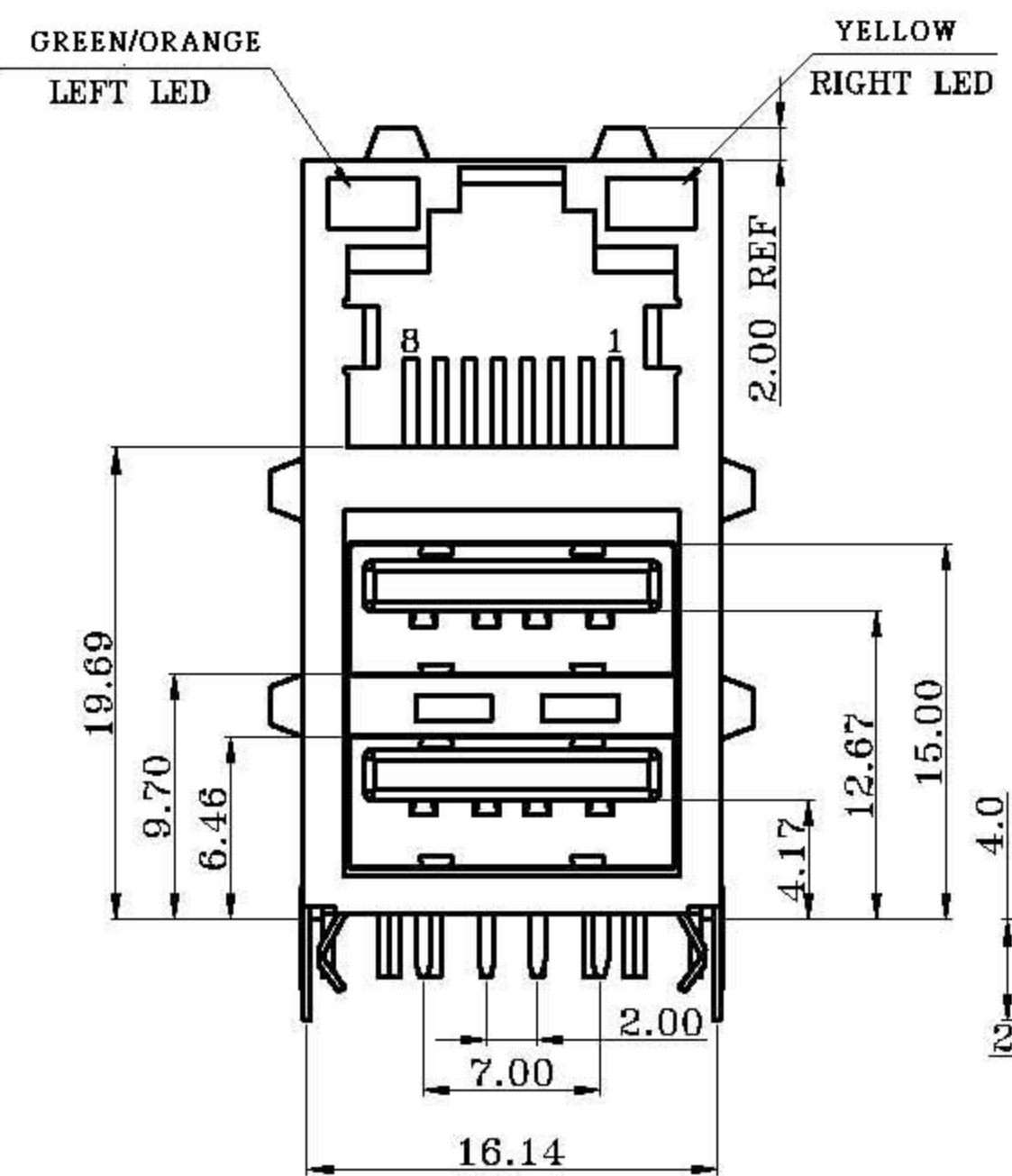
LEFT LED



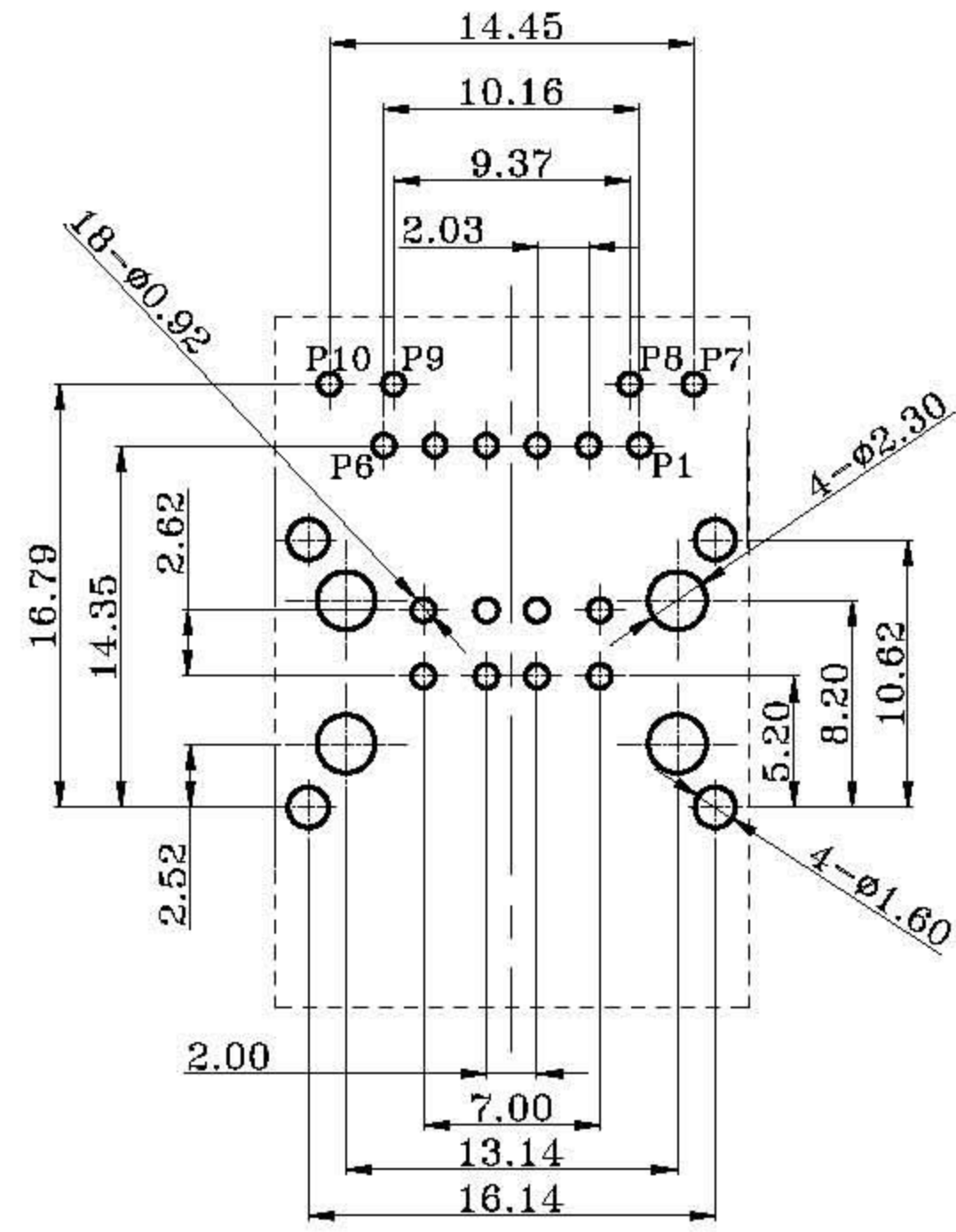
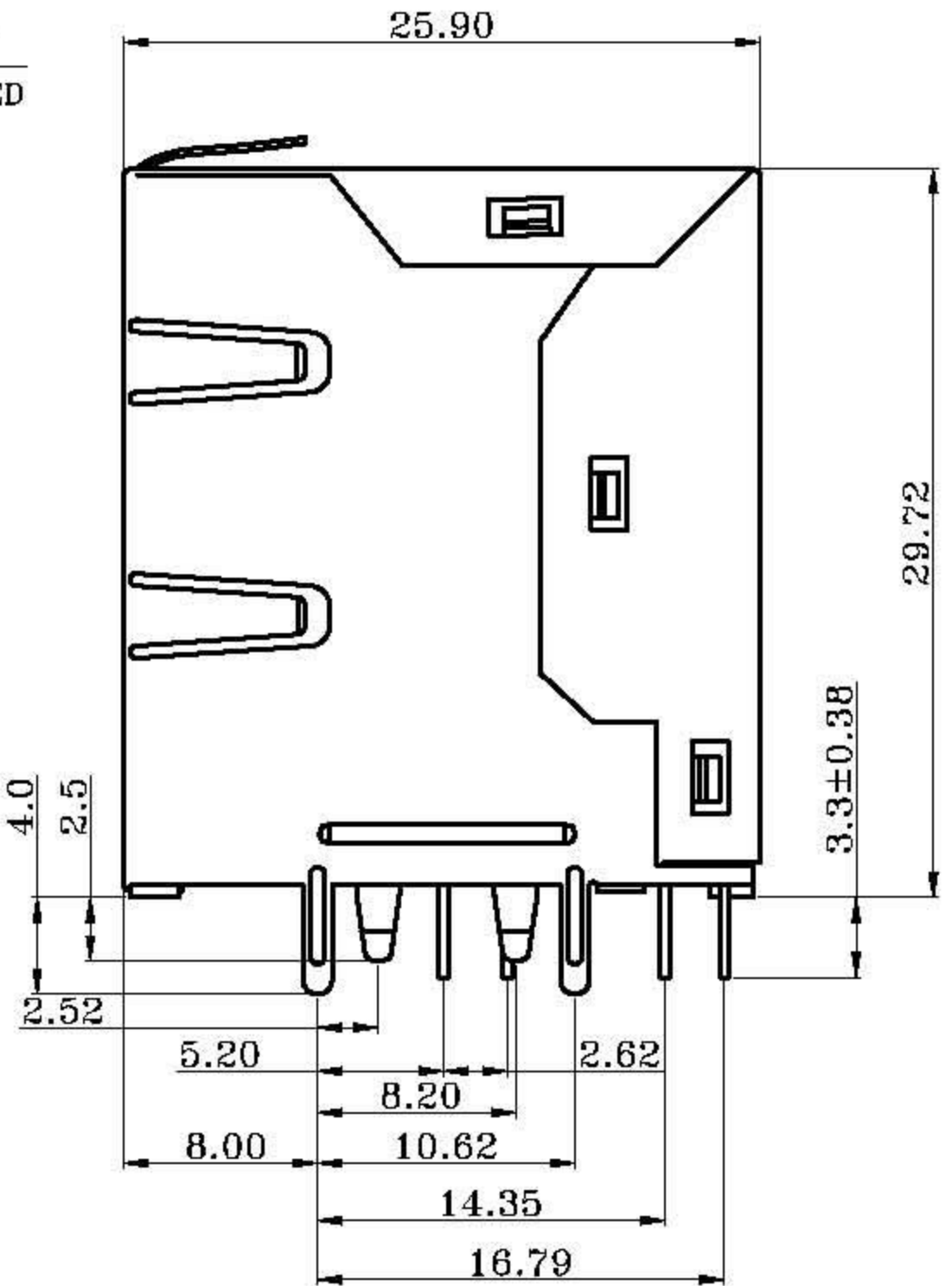
2

1. MATERIALS :
 - 1.1 INSULATOR: PA46, BLACK, UL 94V-0
 - 1.2 USB INSULATOR: THERMOPLASTIC, UL 94V-0
 - 1.3 RJ CONTACT: PHOSPHOR BRONZE
 - 1.4 USB CONTACT: COPPER ALLOY
 - 1.5 SHIELD: COPPER ALLOY
2. FINISH :
 - 2.1 SHIELD: 50u" Min. NICKEL PLATED OVERALL
 - 2.2 CONTACT: SELECTIVE GOLD PLATED (SEE ORDER INFORMATION) IN CONTACT AREA, 80u" Min. TIN PLATED IN SOLDER AREA, 30u" Min. NICKEL UNDERPLATED OVERALL.
3. ELECTRICAL CHARACTERISTICS
 - 3.1 RJ ELECTRICAL CHARACTERISTICS:
 - 3.1.1 CURRENT RATING: 1.5 A.
 - 3.1.2 CONTACT RESISTANCE: 50mΩ MAX.
 - 3.1.3 INSULATION RESISTANCE: 500MΩ MIN DC 500V.
 - 3.1.4 DIELECTRIC WITHSTANDING VOLTAGE: AC 1000V PER MINUTE.
 - 3.1.5 OPERATING TEMPERATURE: -40°C ~ +105°C.

3



4



RECOMMENDED P.C.B LAYOUT(PCB THICKNESS: 1.6mm)
COMPONENT SIDE VIEW(TOLERANCE: ±0.05)

5

REV.	DESCRIPTION	ECN	DRAWN	DATE
A	NEW RELEASE		Milo	Mar.22.2011

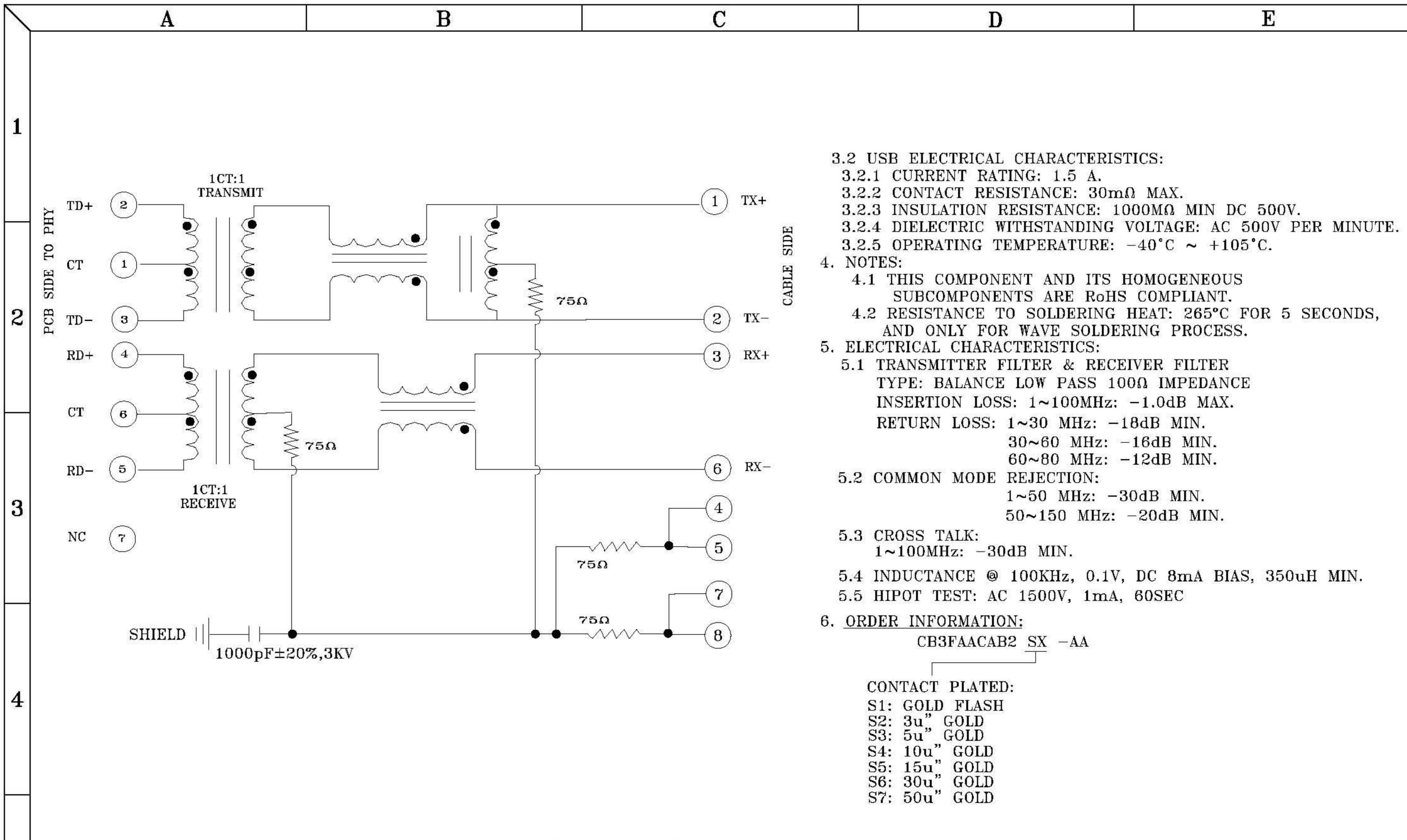
TOLERANCES:
DIM. X.X=±0.3
X.XX=±0.25
UNIT: mm
GENERAL ANGLE:
±3°

TITLE: COMBO RJ45 OVER DUAL USB 2.0 W/LED TRANSFORMER 10/100Base-T	
DRAWN: Milo	DWG NO.: XMB-CB3FAACAB2SX-AA
CHECKED: Karen	PART NO.: XMB-CB3FAACAB2SX-AA
APPROVAL: Frank	SCALE: None
	SHEET: 1 OF 2
	LAYER: CA059

XMULTIPLE

RFQ NO.: Q1103097

REVISIONS



3.2 USB ELECTRICAL CHARACTERISTICS:

- 3.2.1 CURRENT RATING: 1.5 A.
- 3.2.2 CONTACT RESISTANCE: 30mΩ MAX.
- 3.2.3 INSULATION RESISTANCE: 1000MΩ MIN DC 500V.
- 3.2.4 DIELECTRIC WITHSTANDING VOLTAGE: AC 500V PER MINUTE.
- 3.2.5 OPERATING TEMPERATURE: -40°C ~ +105°C.

4. NOTES:

- 4.1 THIS COMPONENT AND ITS HOMOGENEOUS SUBCOMPONENTS ARE RoHS COMPLIANT.
- 4.2 RESISTANCE TO SOLDERING HEAT: 265°C FOR 5 SECONDS, AND ONLY FOR WAVE SOLDERING PROCESS.

5. ELECTRICAL CHARACTERISTICS:

- 5.1 TRANSMITTER FILTER & RECEIVER FILTER TYPE: BALANCE LOW PASS 100Ω IMPEDANCE
- INSERTION LOSS: 1~100MHz: -1.0dB MAX.
- RETURN LOSS: 1~30 MHz: -18dB MIN.
- 30~60 MHz: -16dB MIN.
- 60~80 MHz: -12dB MIN.

5.2 COMMON MODE REJECTION:

- 1~50 MHz: -30dB MIN.
- 50~150 MHz: -20dB MIN.

5.3 CROSS TALK:

- 1~100MHz: -30dB MIN.

5.4 INDUCTANCE @ 100KHz, 0.1V, DC 8mA BIAS, 350uH MIN.

5.5 HIPOT TEST: AC 1500V, 1mA, 60SEC

6. ORDER INFORMATION:

CB3FAACAB2 SX -AA

CONTACT PLATED:

- S1: GOLD FLASH
- S2: 3u" GOLD
- S3: 5u" GOLD
- S4: 10u" GOLD
- S5: 15u" GOLD
- S6: 30u" GOLD
- S7: 50u" GOLD

					TOLERANCES: DIM. X.X=±0.3 X.XX=±0.25 UNIT: mm GENERAL ANGLE: ±3°	TITLE: COMBO RJ45 OVER DUAL USB 2.0 W/LED TRANSFORMER 10/100Base-T				XMULTIPLE	
						DRAWN: Milo	DWG NO.: XMB-CB3FAACAB2SX-AA				
						CHECKED: Karen	PART NO.: XMB-CB3FAACAB2SX-AA				
REVISIONS						APPROVAL: Frank	SCALE: None	SHEET: 2 OF 2	LAYER: CA059	RFQ NO.: Q1103097	
REV.	DESCRIPTION	ECN	DRAWN	DATE							
A	NEW RELEASE		Milo	Mar.19.2011							