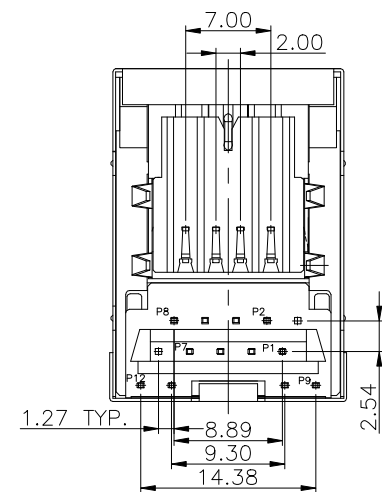
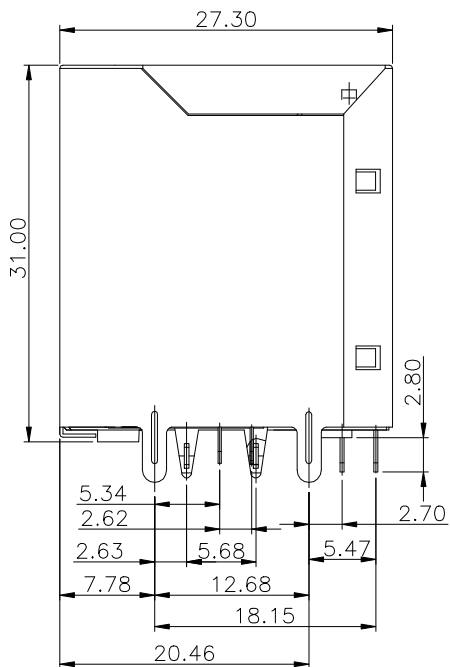
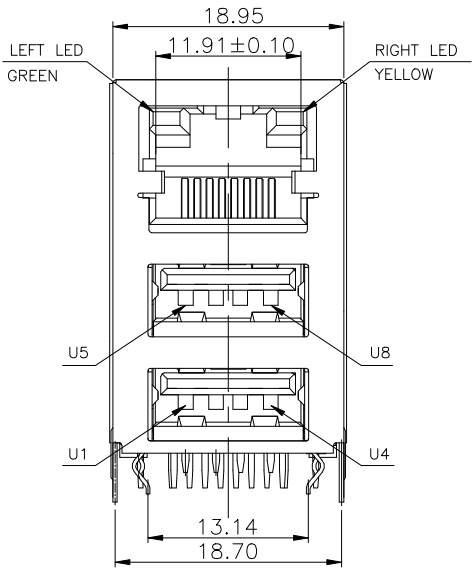
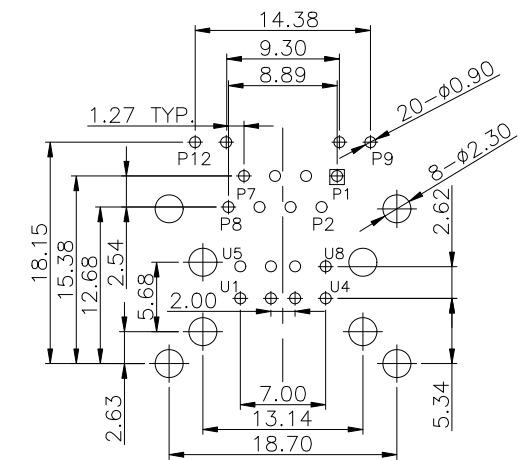


A B C D E



1. MATERIAL:
  - 1.1 USB INSULATOR: PA66, UL94V-0; COLOR: BLACK.
  - 1.2 RJ INSULATOR: PA66, UL94V-0; COLOR: BLACK.
  - 1.3 RJ MATING TERMINAL: PHOSPHOR BRONZE, GOLD (SEE ORDER INFORMATION) PLATED IN CONTACT AREA, NICKEL UNDERPLATED OVERALL.
  - 1.4 RJ SOLDER TAIL: BRASS, TIN PLATED OVER NICKEL UNDERPLATED OVERALL.
  - 1.5 USB CONTACT: BRASS, SELECTIVE GOLD (SEE ORDER INFORMATION) PLATED IN CONTACT AREA, TIN PLATED IN SOLDER AREA, NICKEL UNDERPLATED OVERALL.
  - 1.7 FRONT SHIELD AND BACK SHIELD: BRASS. NICKEL PLATED OVERALL.
2. ELECTRICAL CHARACTERISTICS:
  - RJ45:
    - 2.1 CURRENT RATING: 1.5 AMP.
    - 2.2 INSULATION RESISTANCE: 500MΩ MIN.
    - 2.3 TEMPERATURE RATING: 0°C ~ +70°C.
  - USB:
    - 2.4 CURRENT RATING: 1.0 AMP.
    - 2.5 CONTACT RESISTANCE: 30mΩ MAX.
    - 2.6 INSULATION RESISTANCE: 1000MΩ MIN.
    - 2.7 DIELECTRIC WITHSTANDING VOLTAGE: 500V AC PER MINUTE.
3. NOTES:
  - 3.1 THIS COMPONENT AND ITS HOMOGENEOUS SUBCOMPONENTS ARE RoHS COMPLIANT.
  - 3.2 RESISTANCE TO SOLDERING HEAT: 265 AND ONLY FOR WAVE SOLDERING( THE POST & BOARD LOCK WILL BE MELTED).



RECOMMENDED P.C.B LAYOUT(PCB THICKNESS: 1.6mm)  
COMPONENT SIDE VIEW(TOLERANCE: ±0.05)

5					DIM.	TOL.	TITLE:			<b>XMULTIPLE</b>			
					X		COMBO RJ45 TAB UP JACK OVER STACK USB2.0 A TYPE						
					X.X	±0.30	FEMALE 10/100M BASE-T R/A TYPE, W/ SHIELD						
					X.XX	±0.25	DWG. NO.:						
					X.XXX	±0.15	C-CB3FAAABC2SX-AF						
AO	NEW RELEASE		Jim	Apr.2.2012	GENERAL ANGLE:	±3°	PART NO.:						
REV.	DESCRIPTION	ECN NO.	NAME	DATE			XMB-CB3FAAABC2SX-AF						
REVISIONS							UNIT:	SCALE:	SHEET:	DWG. SIZE:	LAYER:	APPROVED:	RFQ NO.:
							mm	none	1 OF 1	A4	CN192	Frank	Q1203215

A

B

C

D

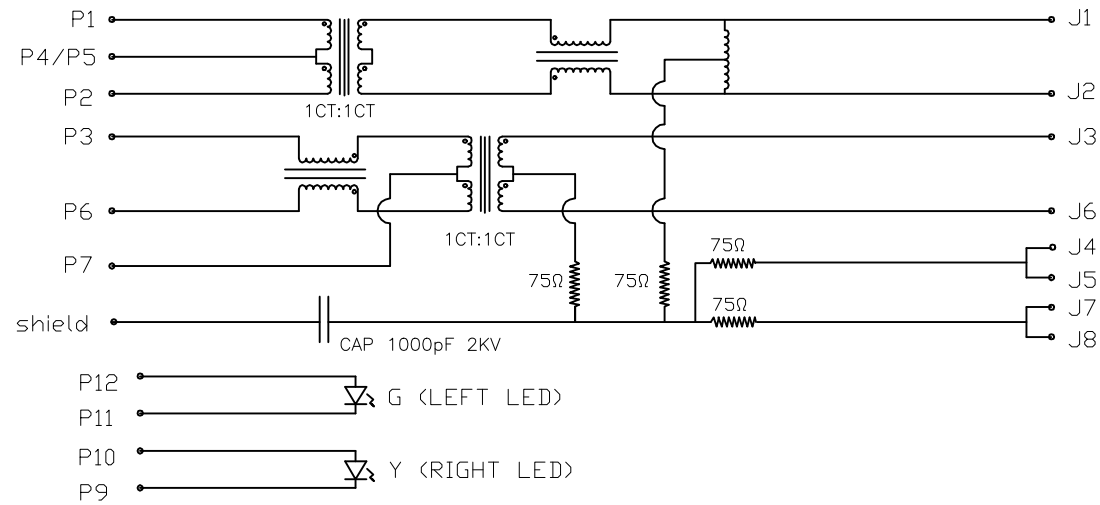
E

1

## SCHEMATIC

PCB SIDE TO PHY

CABLE SIDE



## 4. ELECTRICAL SPECIFICATIONS: (25°)

- 4.1 TURN RATIO: (P1~P3) : (J1~J2): 1:1±3%.  
(P3~P6) : (J3~J6): 1:1±3%.
- 4.2 INDUCTANCE: (P1~P2) AND (P3~P6) : 350uH MAX @1MHz.
- 4.3 LEAKAGE INDUCTANCE: P1~P2(WITH J1 AND J2 SHORT):  
0.35uH MAX @1MHz.  
P3~P6(WITH J3 AND J6 SHORT):  
0.35uH MAX @1MHz.
- 4.4 INTERWINDING CAPACITANCE: (P1~P2) : (J1~J2): 35pF MAX @ 1MHz  
(P3~P6) : (J3~J6): 35pF MAX @ 1MHz
- 4.5 DC RESISTANCE: (J1~J2):(J3~J6) : 1.2Ω MAX.
- 4.6 DIELECTRIC WITHSTAND: (P1~P2):(J1~J2) : 1500VAC OR 2250VDC.  
(P3~P6):(J3~J6) : 1500VAC OR 2250VDC.
- 4.7 INSERTION LOSS:  
@1MHz ~ 100MHz: -1.2dB MAX.
- 4.8 RETURN LOSS:  
@1~30MHz: -18dB MIN.  
@30~60MHz: -12dB MIN.  
@60~80MHz: -12dB MIN.
- 4.9 COMMON MODE REJECTION: @1~100MHz: -30dB MIN.
- 4.10 COSSTALK: @1~100MHz: -30dB MIN.
- 4.11 OCL: @100KHz, 0.1V, DC 8mA: 350uH MIN.
- 4.12 HI-POT: AC 1500V, 1mA, 1Sec.

## 5. ORDER INFORMATION:

XMB-CB3FAAFCB2 SX -A

CONTACT PLATED:  
S1: GOLD FLASH  
S2: 3u" GOLD  
S3: 5u" GOLD  
S4: 10u" GOLD  
S5: 15u" GOLD  
S6: 30u" GOLD  
S7: 50u" GOLD

3

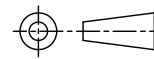
4

5

REV.	DESCRIPTION	ECN NO.	NAME	DATE
AO	NEW RELEASE		Jim	Apr.2.2012

## REVISIONS

DIM.	TOL.
X	
X.X	±0.30
X.XX	±0.25
X.XXX	±0.15
GENERAL ANGLE: ±3°	



TITLE: COMBO RJ45 TAB UP JACK OVER STACK USB2.0 A TYPE  
FEMALE 10/100M BASE-T R/A TYPE, W/ SHIELD

DWG. NO.: C-CB3FAAFCB2SX-AF

DRAWN: Jim

PART NO.: XMB-CB3FAAFCB2SX-AF

CHECKED: Kevin

UNIT: mm SCALE: none SHEET: 1 OF 1 DWG. SIZE: A4 LAYER: CN192

APPROVED: Frank

**XMULTIPLE**

RFQ NO.: Q1203215