

SPECIFICATION FOR APPROVAL

PART NO.: XMB-9767-A251120-246-JW1

PRODUCT DESCRIPTION.: 10/100 Base-T RJ45+USB, w/Transformer and w/LED

REV:A



Xmultiple

MARKETING GROUP	R&D GROUP	QA GROUP
ISSUED BY	CHECKED BY	QA INSPECTION
Chris	De	XuLong

CUSTOMER: _____

CUSTOMER PART NO.: _____

SAMPLE Q'TY: _____

CUSTOMER

CUSTOMER APPROVAL:

APPROVAL

CONCESSIONARY

REJECTED

ISSUED BY	CHECKED BY	APPROVED BY

COMMENTS:

SPECIFICATION FOR APPROVAL

CUSTOMER PART NO.:

PART NO.: XMB-9767-A251120-246-JW1

PRODUCT DESCRIPTION.: 10/100 Base-T RJ45+USB, w/Transformer and w/LED



TEMP(°C):25

HUM(%):65 RH

REV:A

CONTENT

TOTAL 11 PAGES

1.	COVER PAGE	PAGE 1	OF 11
2.	CONTENT	PAGE 2	OF 11
3.	REVISION CHANGE RECORD	PAGE 3	OF 11
4.	SPECIFICATION AND PERFORMANCE	PAGE 4	OF 11
5.	MECHANICAL DIMENSION AND LABEL	PAGE 5	OF 11
6.	RECOMMENDED PCB LAYOUT	PAGE 6	OF 11
7.	CIRCUIT SCHEMATIC	PAGE 7	OF 11
8.	LED ELECTRICAL / OPTICAL CHARACTERISTICS	PAGE 8	OF 11
9.	ELECTRICAL CHARACTERISTICS	PAGE 9	OF 11
10.	PROFILE OF WAVE SOLDER	PAGE 10	OF 11
11.	PACKAGE	PAGE 11	OF 11

SPECIFICATION FOR APPROVAL

CUSTOMER PART NO.:

PART NO.: XMB-9767-A251120-246-JW1

PRODUCT DESCRIPTION.: 10/100 Base-T RJ45+USB, w/Transformer and w/LED



TEMP(°C):25


HUM(%):65 RH

REV:A

3. REVISION CHANGE RECORD

REV	Description	Drawn	Checked	Approved	Issue Date
A	Specification issued	Gino	Chris	De	2013/3/29

SPECIFICATION FOR APPROVAL

CUSTOMER PART NO.: PART NO.: XMB-9767-A251120-246-JW1 PRODUCT DESCRIPTION.: 10/100 Base-T RJ45+USB, w/Transformer and w/LED		TEMP(°C):25 HUM(%):65 RH REV:A
---	--	--------------------------------------

4. SPECIFICATION AND PERFORMANCE

4-1 Scope

This specification covers the requirements for product performance, tests and quality assurance provisions for transformer jack.

4-2 Applicable document

The following documents form a part of this specification to the extent specified herein. In the event of conflict between the requirements of this specification and the product drawing shall take precedence

4-3 Requirements

4-3-1 Design and construction

Product shall be of the design, construction and physical dimensions specified on the applicable product drawing
 Complies with IEEE standards and all 10/100 Ethernet

4-3-2 Materials and finish

Housing:	Glass filed polyester UL94V-0,Pantone Black
Contact:	Phosphor Bronze t=0.35mm FLAT PIN
Plating:	6U" gold plating over nickel
Shield:	0.20mm thickness copper alloy with nickel plated
PCB retention pre-solder:	1LB min.
PCB retention post-solder:	10 LBS min.
Tails:	150U"~200U" Tin-Lead min. over 30U" ~50U" nickel(RoHS6)

4-3-3 Mechanical characteristics:

Durability:750(modular jack) insertion/plug dimension cycles at min. rate of 120 cycles per minute

4-3-4 Electrical

Contact resistance:	30 milliohms max. @500 VDC.
Insulation resistance:	500 megohms min.
Dielectric strength:	1500 VAC RMS 60Hz,1min.

4-3-5 Environmental:

Operating temperature:	0°C~+70°C
Storage temperature:	-40°C~+85°C

Mates with modular plug conforming to FCC part 68.

4-3-6 Applicable printed circuit board

The product is designed to meet the electrical, mechanical and environmental performance requirements specified in product drawing

SPECIFICATION FOR APPROVAL

CUSTOMER PART NO.:

PART NO.: XMB-9767-A251120-246-JW1

PRODUCT DESCRIPTION.: 10/100 Base-T RJ45+USB, w/Transformer and w/LED



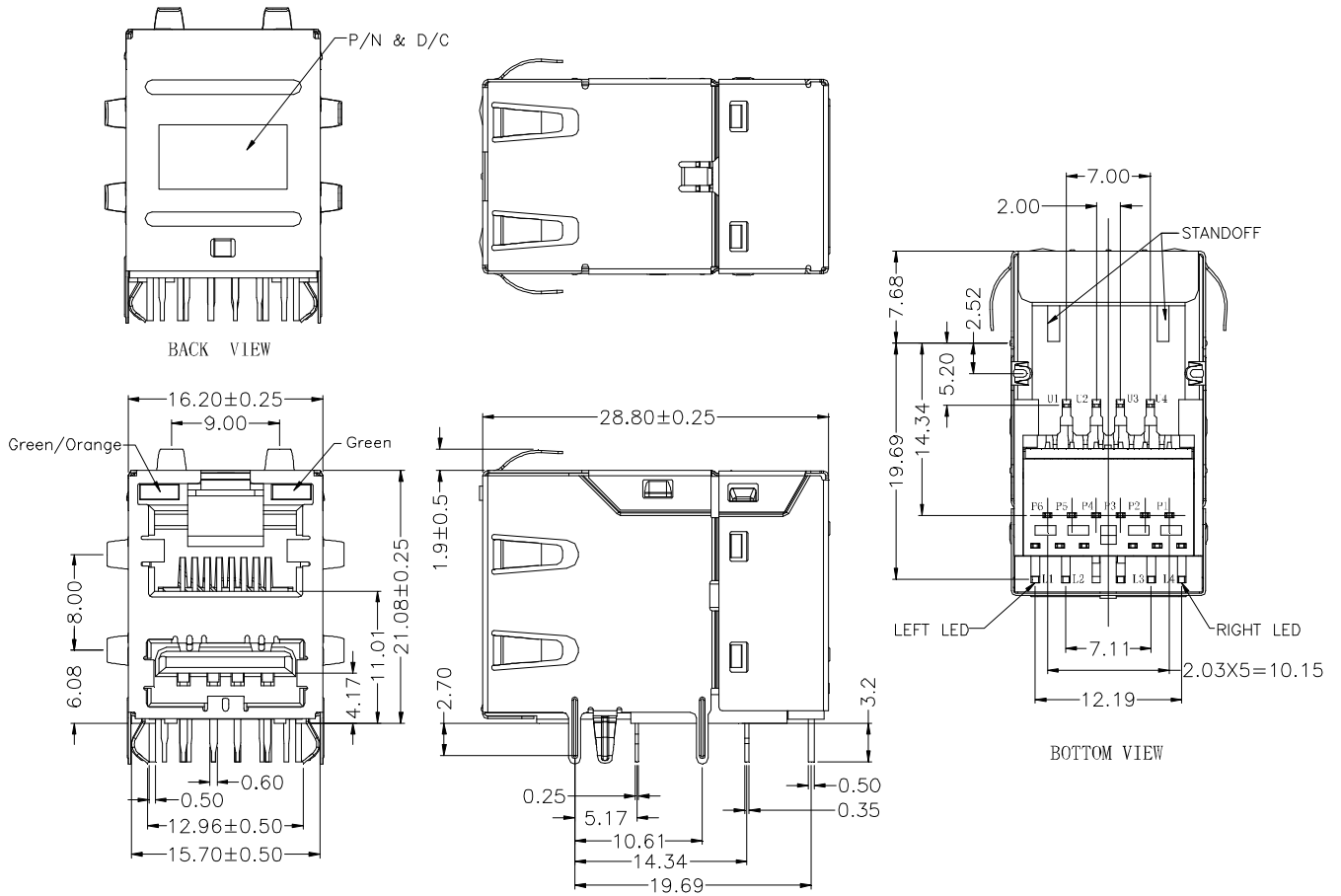
TEMP(°C):25

HUM(%):65 RH

REV:A

TOLERANCE(mm):
 .0 ± 0.20
 .00 ± 0.15
 .000 ± 0.075

5. MECHANICAL DIMENSION AND LABEL



SPECIFICATION FOR APPROVAL

CUSTOMER PART NO.:

PART NO.: XMB-9767-A251120-246-JW1

PRODUCT DESCRIPTION.: 10/100 Base-T RJ45+USB, w/Transformer and w/LED

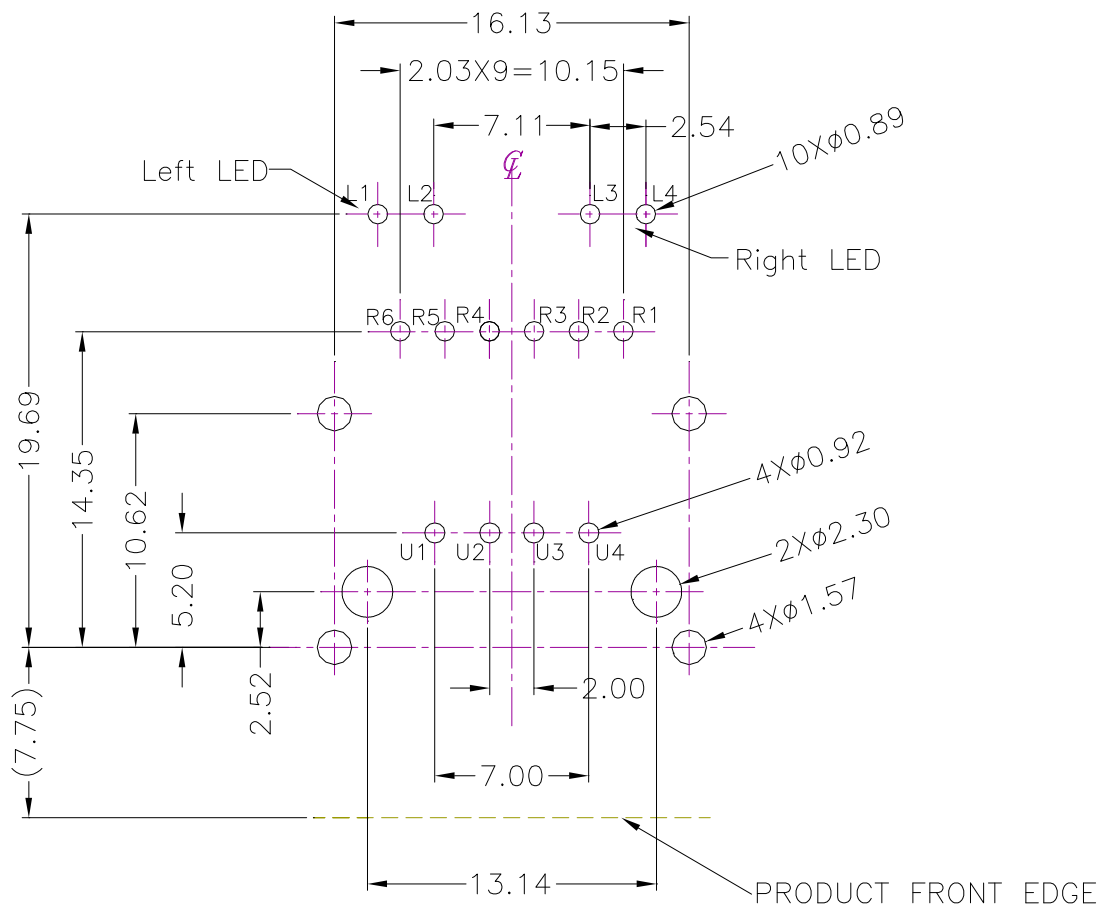


TEMP(°C):25

HUM(%):65 RH

REV:A

6. RECOMMENDED PCB LAYOUT: UNIT: (mm)



RECOMMENDED PCB LAYOUT(8P10C)

COMPONENT SIDE PCB THICKNESS : 1.60mm

ALL DIMENSION TOLERANCE ARE ± 0.05 UNLESS OTHERWISE SPECIFIED

SPECIFICATION FOR APPROVAL

CUSTOMER PART NO.:

PART NO.: XMB-9767-A251120-246-JW1

PRODUCT DESCRIPTION.: 10/100 Base-T RJ45+USB, w/Transformer and w/LED

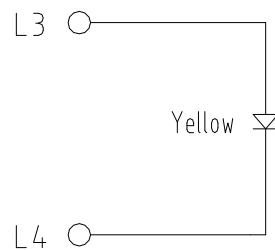
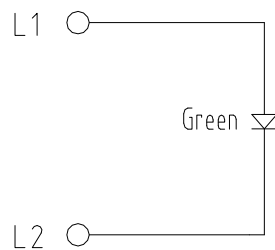
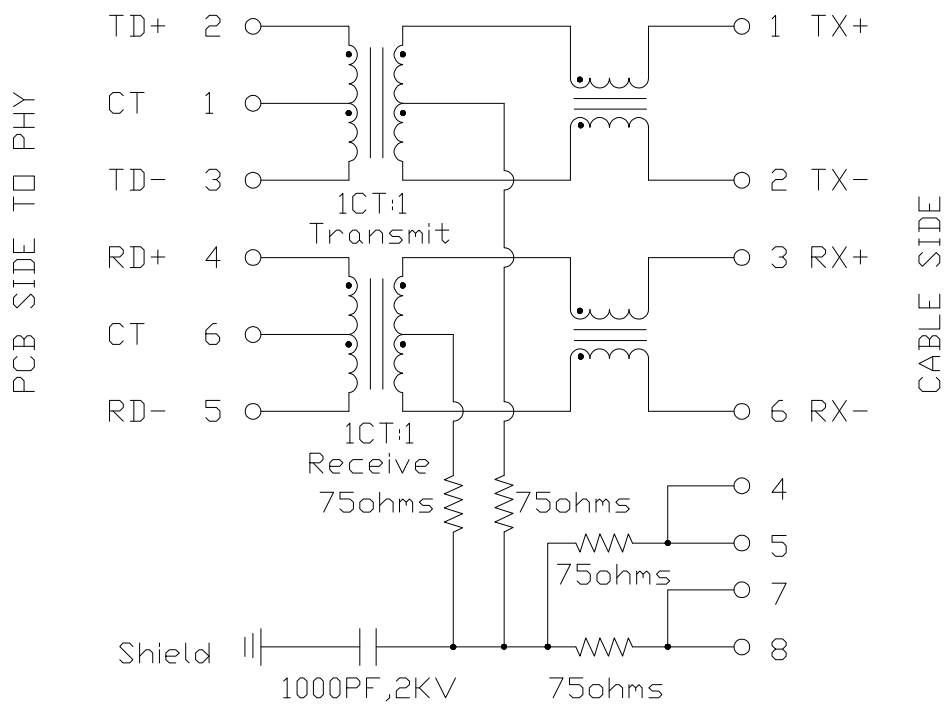


TEMP(°C):25


HUM(%):65 RH

REV:A

7. CIRCUIT SCHEMATIC



SPECIFICATION FOR APPROVAL


<p>CUSTOMER PART NO.:</p> <p>PART NO.: XMB-9767-A251120-246-JW1</p> <p>PRODUCT DESCRIPTION.: 10/100 Base-T RJ45+USB, w/Transformer and w/LED</p>		<p>TEMP(°C):25</p> <p>HUM(%):65 RH</p> <p>REV:C</p>
--	--	---

8. LED ELECTRICAL / OPTICAL CHARACTERISTICS:

Dice	Lens Type	Iv (mcd) @20 mA		Viewing Angle
		Min.	Typ.	2θ 1/2
Yellow(Gap)	Yellow Diffused	3	6	100°
Green (Gap)	Green Diffused	3	6	100°

Parameter	Device	Typ.	Max.	Units	Test Conditions
Dominate Wavelength	Green	568 λ d	575 λ d	nm	IF=20mA
	Yellow	585 λ d	615 λ d	nm	IF=20mA
Forward Voltage	Green	2.2	2.5	v	IF=20mA
	Yellow	2.2	2.5	v	IF=20mA
Reverse Current	Green		10	uA	VR=5V
	Yellow		10	uA	VR=5V
Power Dissipation	Green		62.5	mW	VR=5V
	Yellow		62.5	mW	VR=5V

SPECIFICATION FOR APPROVAL

CUSTOMER PART NO.: PART NO.: XMB-9767-A251120-246-JW1 PRODUCT DESCRIPTION.: 10/100 Base-T RJ45+USB, w/Transformer and w/LED		TEMP(°C):25 HUM(%):65 RH REV:A
---	--	--------------------------------------

9. ELECTRICAL CHARACTERISTICS

9-1 Turn Ratio: (P2-P3) : (J1-J2) 1CT:1CT(±3%)
 (P4-P5) : (J3-J6) 1CT:1CT(±3%)

9-2 Primary Inductance:

(P2-P3), (P4-P5): 350µH Min. @100kHz,0.1Vrms,8mADC BIAS

9-3 Hi-POT TEST:

Input to Output 1500Vrms

9-4 Insertion Loss:

1 MHz ~100 MHz -1.0dB MAX.

9-5 Return Loss:

1MHz ~30 MHz -18dB MIN

30 MHz ~60MHz -18+20LOG(F/30MHz)dB MIN

60MHz ~100 MHz -12dB MIN

9-6 CROSS TALK:

1MHz ~100 MHz -30dB MIN.

9-7 CM TO CM REJECTION:

1MHz ~100 MHz -30dB MIN.

SPECIFICATION FOR APPROVAL

CUSTOMER PART NO.:

PART NO.: XMB-9767-A251120-246-JW1

PRODUCT DESCRIPTION.: 10/100 Base-T RJ45+USB, w/Transformer and w/LED

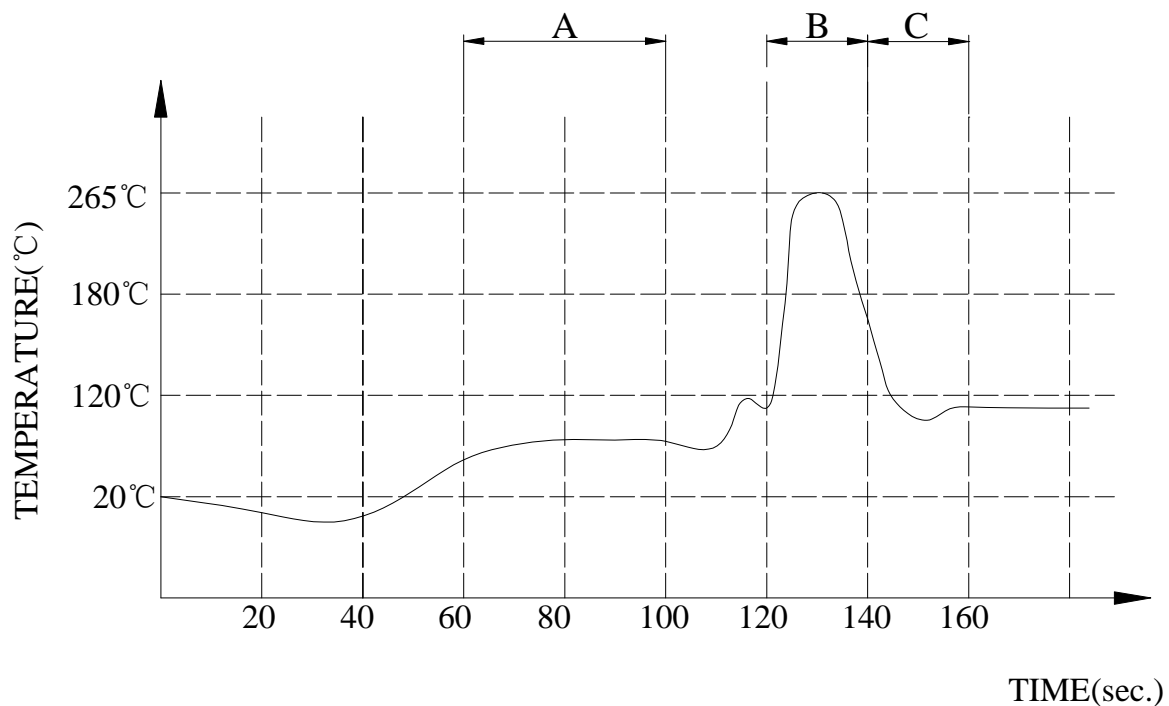


TEMP(°C):25

HUM(%):65 RH

REV:A

10. PROFILE OF WAVE SOLDER



———— PIN TEMPERATURE

----- COMPONENT TEMPERATURE

A:Preheating B:Soldering C:Gradual Cooling

Notes:

- (1) Tip temperature :260±5°C
- (2) Tip temperature time: 5sec. max
- (3) The melting point of tin : 219°C

SPECIFICATION FOR APPROVAL

CUSTOMER PART NO.:

PART NO.: XMB-9767-A251120-246-JW1

PRODUCT DESCRIPTION.: 10/100 Base-T RJ45+USB, w/Transformer and w/LED



TEMP(°C):25

HUM(%):65 RH

REV:A

12. PACKAGE

56 PCS/TRAY
280 PCS/INNER BOX
560 PCS/OUTER BOX

