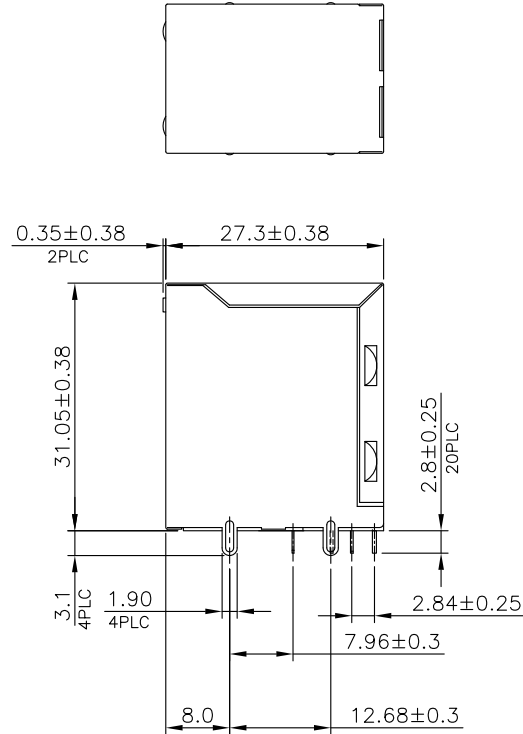
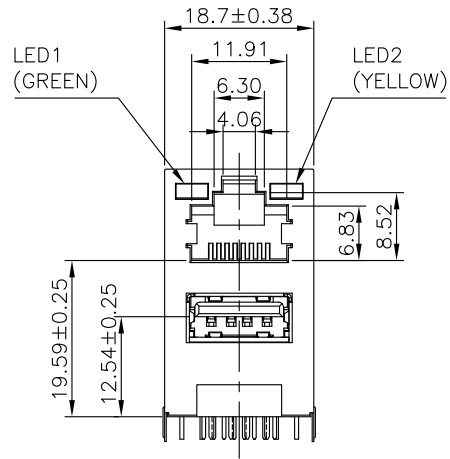


RoHS Compliance

PROPOSAL



LED CHARACTERISTIC	
NO.	NODE
LED1	9+ -10
LED2	11+ -12

REVISIONS	DESCRIPTION	DATE	APVD
△	-	-	-
LTR	DESCRIPTION	DATE	APVD

THIS DRAWING IS A CONTROLLED DOCUMENT. DO NOT SCALE DRAWING.	
DIMENSIONS: MM	TOLERANCES UNLESS OTHERWISE SPECIFIED:
	X ± - X.X ± 0.25 X.XX ± 0.13 X.XXX ± 0.05 ANGLES ± -
THIRD ANGLE PROJECTION	
MATERIAL SEE NOTES	FINISH SEE NOTES
DWN A.HUANG	DATE FEB-24-2017
CHK M.CHANG	FEB-24-2017
APVD W.J.YANG	FEB-24-2017

XMULTIPLE

TITLE 2X1PORT, RJ45+USB+USB C-TYPE,
WITH LED & SHELL,
RECEPTACLE CONNECTOR

SIZE A3	CAUSE CODE -	DRAWING NO XMB-9711-8814-S0L1-C-B-UP
WEIGHT -	GRAMS Ref.	REV A SHEET 1

NOTE:

CAVITY CONFIRMS TO FCC RULES AND REGULATIONS PART 68, SUBPART F.

1. MATERIAL:

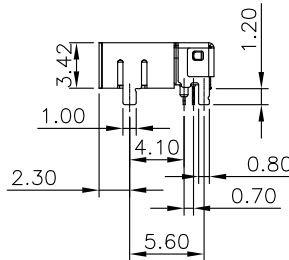
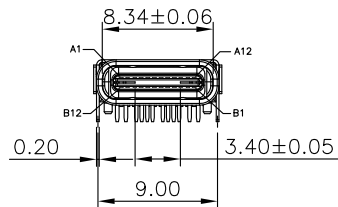
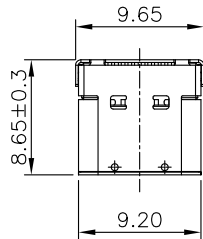
- 1.1 RJ HOUSING: PBT, WITH GLASS FIBER, UL94V-0, STANDARD COLOR-BLACK.
- 1.2 RJ INSERT HOUSING: PBT, WITH GLASS FIBER, UL94V-0, STANDARD COLOR-BLACK.
- 1.3 RJ COVER: PBT, WITH GLASS FIBER, UL94V-0, STANDARD COLOR-BLACK.
- 1.4 RJ CONTACTS: PHOSPHOR BRONZE.
- 1.5 RJ SHELL: BRASS.
- 1.6 USB HOUSING: PBT, WITH GLASS FIBER, UL94V-0, STANDARD COLOR-BLACK.
- 1.7 USB CONTACTS: BRASS.
- 1.8 USB C-TYPE HOUSING: HIGH TEMPERATURE PLASTIC. UL94V-0, STANDARD COLOR-BLACK.
- 1.9 USB C-TYPE CONTACTS: COPPER ALLOY.
- 1.10 USB C-TYPE SHELL: STAINLESS STEEL & IRON.
- 1.11 LED SOLDER TAIL: STEEL.

2. FINISH:

- 2.1 RJ CONTACTS: GOLD PLATED ON CONTACT AREA, GOLD FLASH ON SOLDER TAIL, 1.27μm [50μ"] MIN. NICKEL UNDERPLATED OVERALL.
- 2.2 RJ SHELL: 0.508μm [20μ"] MIN. NICKEL PLATED
- 2.3 USB CONTACTS: GOLD PLATED ON CONTACT AREA, 2.54μm [100μ"] TIN PLATED ON SOLDER TAIL, 1.27μm [50μ"] MIN. NICKEL UNDERPLATED OVERALL.
- 2.4 USB C-TYPE CONTACTS: TS: GOLD PLATED ON CONTACT AREA, 2.032μm [80μ"] TIN PLATED ON SOLDER TAIL, 1.27μm [50μ"] MIN. NICKEL UNDERPLATED OVERALL.
- 2.5 USB SHELL: 1.27μm [50μ"] MIN. NICKEL PLATED.
- 2.6 LED SOLDER TAIL: 2.032μm [80μ"] MIN. TIN PLATED.

RoHS Compliance

PROPOSAL



NOTE:

CAVITY CONFIRMS TO FCC RULES AND REGULATIONS PART 68, SUBPART F.

1. MATERIAL:

- 1.1 RJ HOUSING: PBT, WITH GLASS FIBER, UL94V-0, STANDARD COLOR-BLACK.
- 1.2 RJ INSERT HOUSING: PBT, WITH GLASS FIBER, UL94V-0, STANDARD COLOR-BLACK.
- 1.3 RJ COVER: PBT, WITH GLASS FIBER, UL94V-0, STANDARD COLOR-BLACK.
- 1.4 RJ CONTACTS: PHOSPHOR BRONZE.
- 1.5 RJ SHELL: BRASS.
- 1.6 USB HOUSING: PBT, WITH GLASS FIBER, UL94V-0, STANDARD COLOR-BLACK.
- 1.7 USB CONTACTS: BRASS.
- 1.8 USB C-TYPE HOUSING: HIGH TEMPERATURE PLASTIC. UL94V-0, STANDARD COLOR-BLACK.
- 1.9 USB C-TYPE CONTACTS: COPPER ALLOY.
- 1.10 USB C-TYPE SHELL: STAINLESS STEEL & IRON.
- 1.11 LED SOLDER TAIL: STEEL.

2. FINISH:

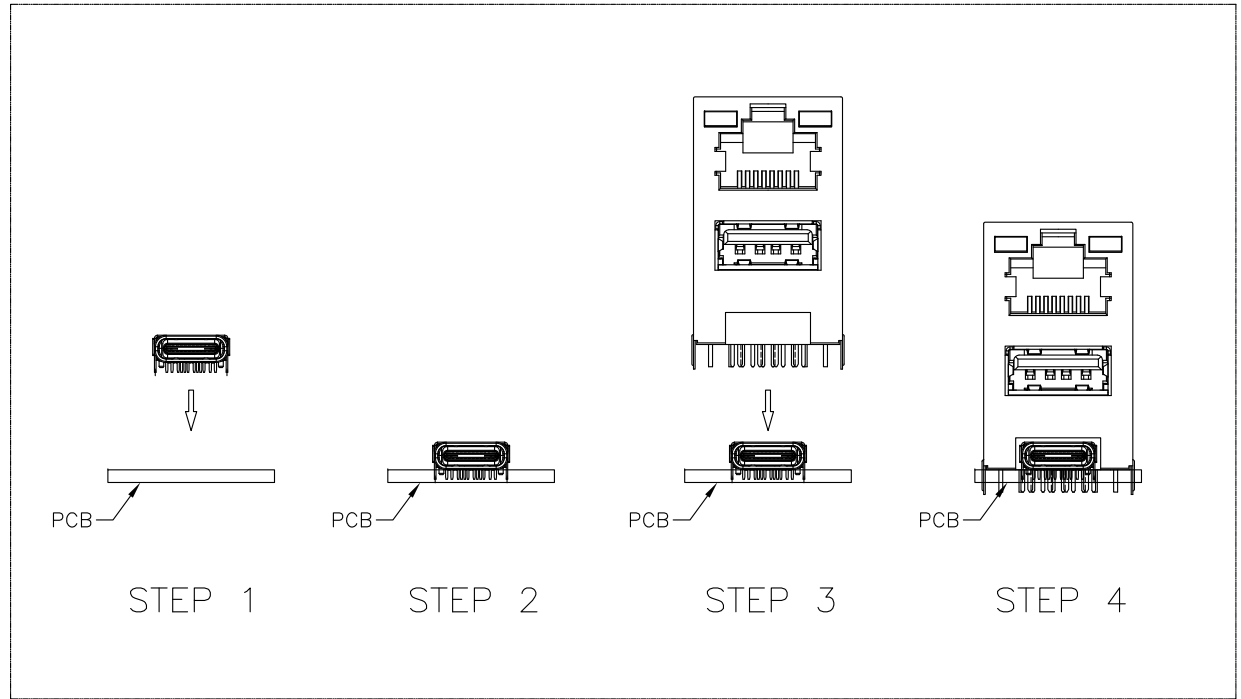
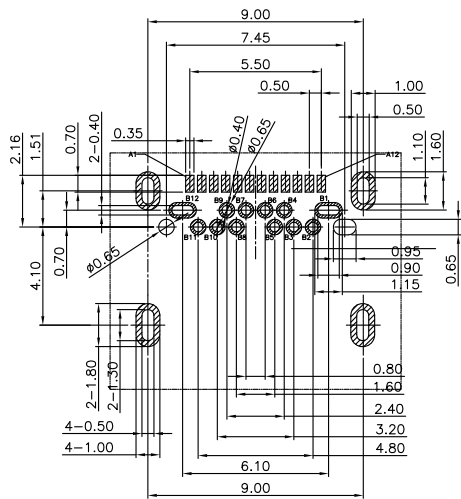
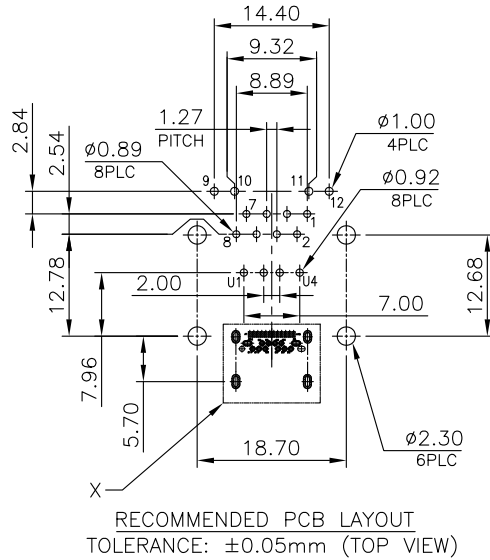
- 2.1 RJ CONTACTS: GOLD PLATED ON CONTACT AREA, GOLD FLASH ON SOLDER TAIL, 1.27μm [50μ"] MIN. NICKEL UNDERPLATED OVERALL.
- 2.2 RJ SHELL: 0.508μm [20μ"] MIN. NICKEL PLATED
- 2.3 USB CONTACTS: GOLD PLATED ON CONTACT AREA, 2.54μm [100μ"] TIN PLATED ON SOLDER TAIL, 1.27μm [50μ"] MIN. NICKEL UNDERPLATED OVERALL.
- 2.4 USB C-TYPE CONTACTS: TS: GOLD PLATED ON CONTACT AREA, 2.032μm [80μ"] TIN PLATED ON SOLDER TAIL, 1.27μm [50μ"] MIN. NICKEL UNDERPLATED OVERALL.
- 2.5 USB SHELL: 1.27μm [50μ"] MIN. NICKEL PLATED.
- 2.6 LED SOLDER TAIL: 2.032μm [80μ"] MIN. TIN PLATED.

THIS DRAWING IS A CONTROLLED DOCUMENT. DO NOT SCALE DRAWING.		<h1>XMULTIPLE</h1>		
DIMENSIONS: MM	TOLERANCES UNLESS OTHERWISE SPECIFIED:			
	X ± - X.X ± 0.25 X.XX ± 0.13 X.XXX ± 0.05 ANGLES ± -	TITLE 2X1PORT, RJ45+USB+USB C-TYPE, WITH LED & SHELL, RECEPTACLE CONNECTOR		
THIRD ANGLE PROJECTION				
MATERIAL SEE NOTES	FINISH SEE NOTES	SIZE A3	CAUSE CODE -	DRAWING NO XMB-9711-8814-S0L1-C-B-UP
DWN A.HUANG	DATE FEB-24-2017	WEIGHT -	GRAMS Ref.	REV A
CHK M.CHANG	DATE FEB-24-2017	SHEET 2		
APVD W.J.YANG	DATE FEB-24-2017			

LTR	DESCRIPTION	DATE	APVD
REVISIONS			

RoHS Compliance

PROPOSAL



THIS DRAWING IS A CONTROLLED DOCUMENT.
DO NOT SCALE DRAWING.

DIMENSIONS: MM TOLERANCES UNLESS OTHERWISE SPECIFIED:

THIRD ANGLE PROJECTION
MATERIAL: SEE NOTES FINISH: SEE NOTES

XMULTIPLE

TITLE 2X1PORT, RJ45+USB+USB C-TYPE,
WITH LED & SHELL,
RECEPTACLE CONNECTOR

REVISIONS	DESCRIPTION	DATE	APVD
△	-	-	-
LTR	DESCRIPTION	DATE	APVD

DWN	A.HUANG	DATE	FEB-24-2017
CHK	M.CHANG	DATE	FEB-24-2017
APVD	W.J.YANG	DATE	FEB-24-2017

SIZE	A3	CAUSE CODE	-	DRAWING NO	XMB-9711-8814-S0L1-C-B-UP
WEIGHT	-	GRAMS	Ref.	REV	A
				SHEET	3