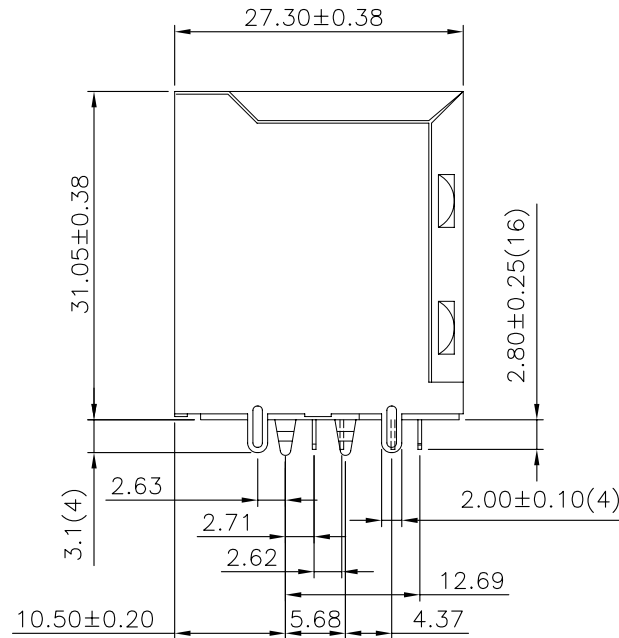
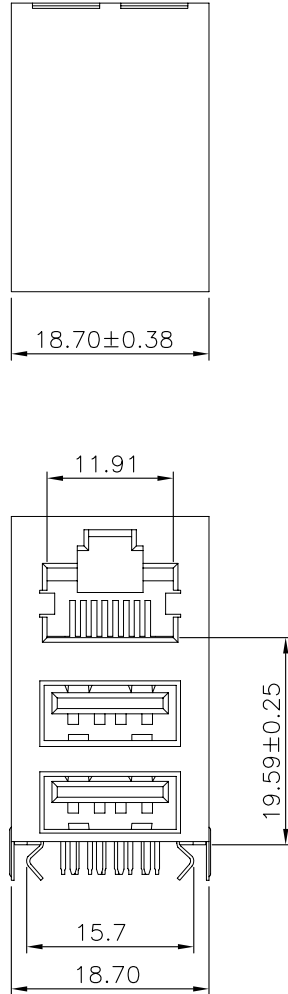
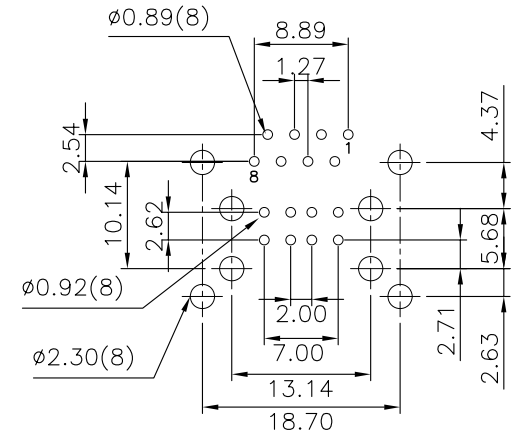


RoHS Compliance



- MATERIAL:
- HOUSING—DSM STANYL TE250F6 (NYLON-46)
HEAT DEFLECTION TEMP.290°
BLACK COLOR, UL94V-0.
 - CONTACTS—0.35mm THICK PHOS-BRONZE PLATED
WITH HARD GOLD AND GOLD FLASH IN
SOLDER AREA.
 - SHIELD—0.20mm THICK COPPER ALLOY,
PLATED WITH NICKEL.
- CAVITY CONFIRMS TO FCC RULES AND REGULATIONS
PART 68,SUBPART F.



PCB LAYOUT
Ref.

DO NOT SCALE DRAWING	TOLERANCES UNLESS OTHERWISE NOTED	INCH	MM	DR. <i>M.L.HUANG</i>	DATE FEB-20 '08
THIRD ANGLE PROJECTION	LINEAR $\frac{MM}{INCH}$	00 ± 000 ± 0000 ±	0.0 ± 0.25 0.00 ± 0.13 0.000 ± 0.05	CK'D <i>M.CHANG</i>	FEB-20 '08
MM INCH	ANGLE ± 0° 30'	RADII	+ 0.40 - 0.15	APP'D <i>W.J.YANG</i>	FEB-21 '08

<i>XMULTIPLE</i>	
TITLE	2X1PORT, RJ45+USB, SHIELD, WITHOUT LED, WITHOUT TRANSFORMER, RECEPTACLE CONNECTOR
SCALE	SIZE DWG.NO. XMB-9711-8814-S0-Y-LFG-ALA