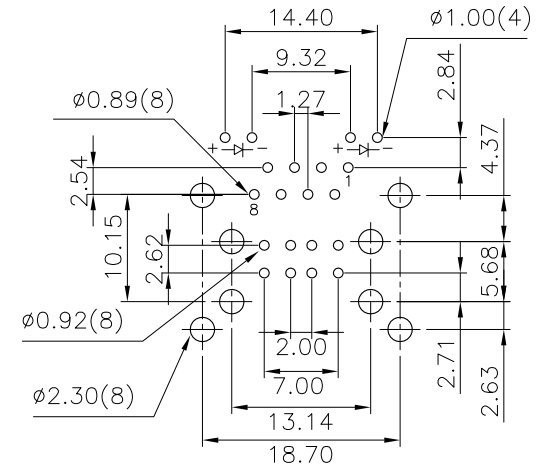
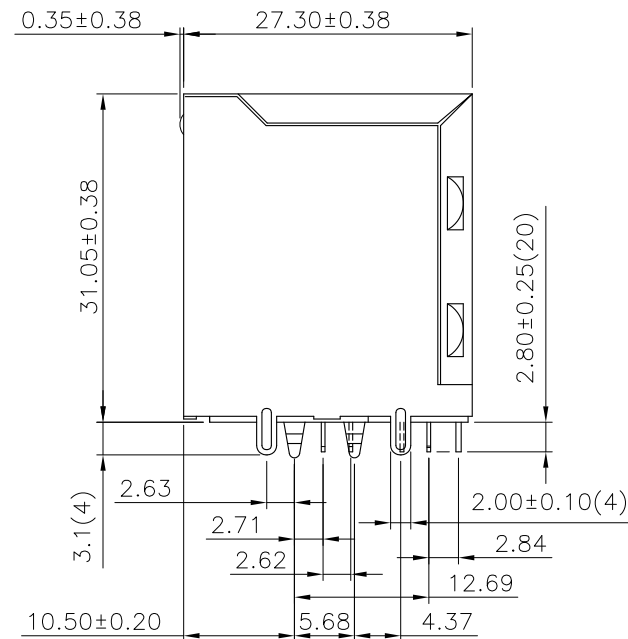
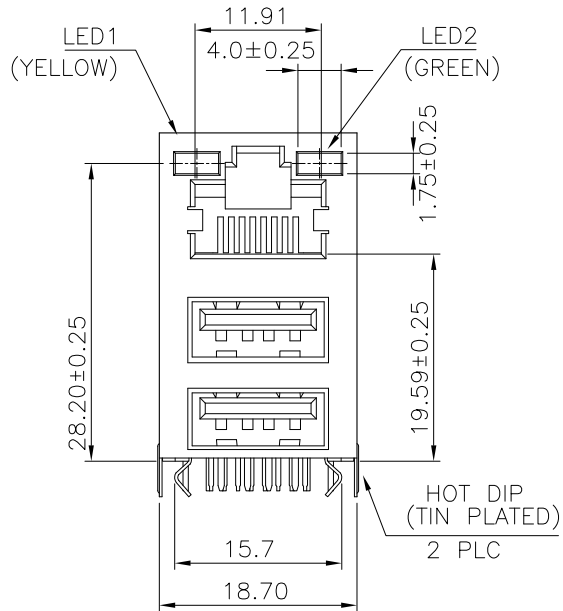
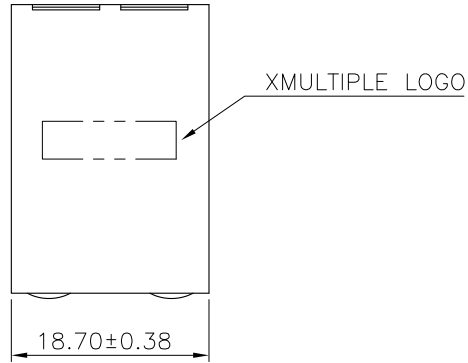


# RoHS Compliance



PCB LAYOUT  
Ref.

MATERIAL:  
 · HOUSING—PBT POLYESTER UL94V-0  
 MIXED FIBER GLASS.  
 STANDARD COLOR—BLACK.  
 · CONTACTS—0.35mm THICK PHOS-BRONZE PLATED  
 WITH 30u" HARD GOLD IN SOLDER AREA.  
 · SHIELD—0.20mm THICK COPPER ALLOY,  
 PLATED WITH NICKEL.  
 CAVITY CONFIRMS TO FCC RULES AND REGULATIONS  
 PART 68,SUBPART F.

DO NOT SCALE DRAWING	TOLERANCES UNLESS OTHERWISE NOTED	INCH	MM	DR. CIAN.CI.LUO	DATE NOV-12 '09
THIRD ANGLE PROJECTION	LINEAR MM INCH	00 ± 000 ± 0000 ±	0.0 ± 0.25 0.00 ± 0.13 0.000 ± 0.05	CK'D M.CHANG	NOV-12 '09
MM INCH	ANGLE ± 0° 30'	RADII	+ 0.40 - 0.15	APP'D W.J.YANG	NOV-13 '09

**XMULTIPLE**

TITLE 2X1PORT, RJ45+USB,  
SHIELD, WITH LED, WITHOUT TRANSFORMER,  
RECEPTACLE CONNECTOR

SCALE SIZE DWG.NO.  
XMB-9711-8812-SOL2-L-APC