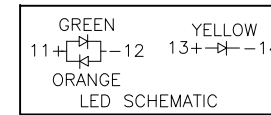
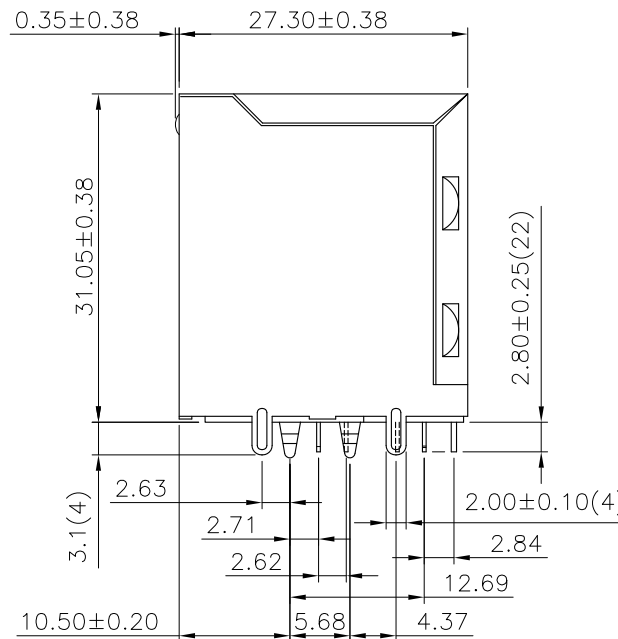
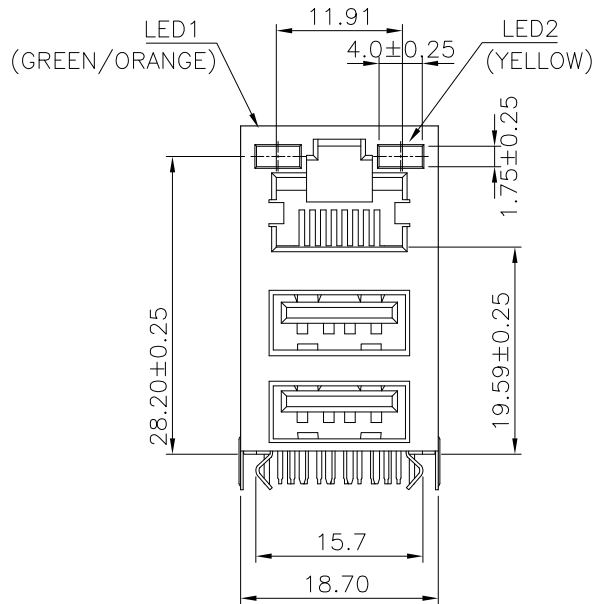
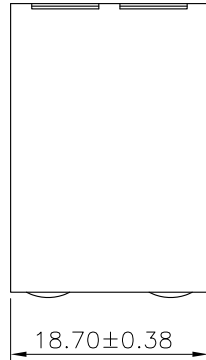
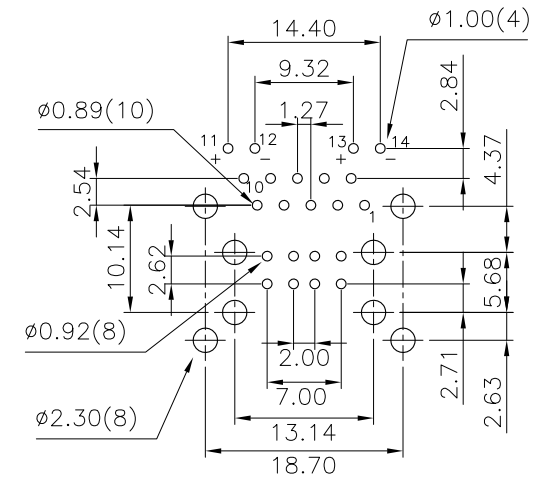


RoHS Compliance



MATERIAL:

- HOUSING—PBT POLYESTER UL94V-0 MIXED FIBER GLASS. STANDARD COLOR—BLACK.
 - CONTACTS—0.35mm THICK PHOS-BRONZE PLATED WITH 30u” HARD GOLD AND GOLD FLASH ON SOLDER AREA.
 - SHIELD—0.20mm THICK COPPER ALLOY, PLATED WITH NICKEL.
- CAVITY CONFIRMS TO FCC RULES AND REGULATIONS PART 68,SUBPART F.



PCB LAYOUT
Ref.

DO NOT SCALE DRAWING	TOLERANCES UNLESS OTHERWISE NOTED	INCH	MM	DR. <i>M.L.HUANG</i>	DATE FEB-22 '11
THIRD ANGLE PROJECTION	LINEAR MM INCH	00 ± 000 ± 0000 ±	0.0 ± 0.25 0.00 ± 0.13 0.000 ± 0.05	CK'D <i>M.CHANG</i>	FEB-22 '11
MM INCH	ANGLE ± 0° 30'	RADII	+ 0.40 - 0.15	APP'D <i>W.J.YANG</i>	FEB-22 '11

XMULTIPLE	
TITLE	2X1PORT, RJ45+USB, SHIELD, WITH LED, WITH TRANSFORMER, RECEPTACLE CONNECTOR
SCALE	SIZE DWG.NO.
XMB-9711-81012-S0L6TA-G-HP1	

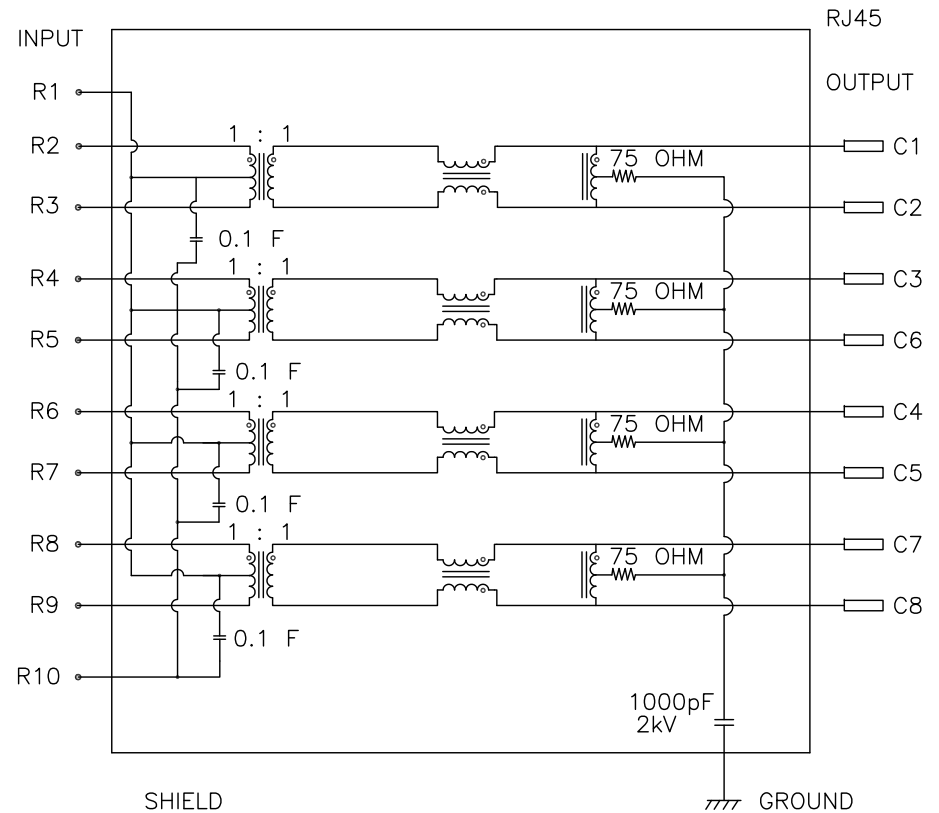
RoHS Compliance

9711 TRANSFORMER TYPE A

ELECTRICAL CHARACTERISTICS

TRANSMITTER FILTER & RECEIVER FILTER

1. TYPE:
BALANCE LOW PASS 100 OHMS IMPEDANCE
2. INSERTION LOSS:
-1.0dB MAXIMUM AT 1MHz TO 100MHz
3. RETURN LOSS:
-18dB MINIMUM AT 1MHz TO 30MHz
-16dB MINIMUM AT 30MHz TO 60MHz
-12dB MINIMUM AT 60MHz TO 80MHz
-10dB MINIMUM AT 80MHz TO 100MHz
4. COMMON MODE REJECTION:
-30dB MINIMUM AT 1MHz TO 100MHz
5. CROSS TALK:
-30dB MINIMUM AT 1MHz TO 100MHz
6. INDUCTANCE:(100KHz, 0.1V, 8mA, DC Bias)
INPUT(R2-R3),(R4-R5),(R6-R7),(R8-R9)=350uH MINIMUM

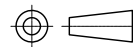


CONNECTOR SCHEMATIC

THIS DRAWING IS A CONTROLLED DOCUMENT.
DO NOT SCALE DRAWING.

DIMENSIONS:
MM

TOLERANCES UNLESS
OTHERWISE SPECIFIED:



THIRD ANGLE PROJECTION

0 PLC ± -
1 PLC ± -
2 PLC ± -
3 PLC ± -
ANGLES ± -

MATERIAL

FINISH

SEE NOTES

SEE NOTES

REVISIONS	DESCRIPTION	DATE	APVD
△	-	-	-
LTR			

DWN	A.HUANG	DATE	JUN-26-2012
CHK	M.CHANG	DATE	JUN-26-2012
APVD	W.J.YANG	DATE	JUN-27-2012

XMULTIPLE

TITLE
TRANSFORMER SPECIFICATION
TYPE A

SIZE	A3	CAUSE CODE	-	DRAWING NO	XMB-9711-81012-SOL6TA-G-HP1
WEIGHT	-	GRAMS	Ref.	REV	-
				SHEET	-