

## SINGLE SMD RJ45 CONNECTOR MODULE WITH 10/100 BASE-TX MAGNETICS

**P/N: XMS-S1B201ZCA**

Page : 1/3

### Feature

- Suitable for CAT 5 & 6 Fast Ethernet Cable or better UTP.
- Meets or exceeds IEEE 802.3 standard for 100 Base-T.
- 350  $\mu$ H minimum OCL with 8 mA bias current.
- Minimum 1500 Vrms isolation per IEEE 802.3 requirement.
- All materials are RoHS and UL94 V-0 compliant.
- RoHS peak solder rating 260°C.

### Electrical Specifications @ 25°C

Part Number	Turns Ratio ( $\pm 5\%$ )		Insertion Loss (dB Max)	Return Loss 100 $\Omega$ $\pm 5\Omega$ (dB Typ)			
	TX	RX		1-100MHz	1-10MHz	10-30MHz	30-60MHz
XMS-S1B201ZCA	1CT : 1CT	1CT : 1CT	-1.15	-20	-16	-12	-10

### Electrical Specifications @ 25°C

Part Number	Crosstalk (dB Typ)			Common Mode Rejection (dB Typ)		HI-POT (Vrms)
	1-30MHz	30-60MHz	60-100MHz	1-50MHz	50-150MHz	@60MHz/1Min
XMS- S1B201ZCA	-40	-35	-30	-30	-20	1500

### RJ45 Durability Testing Rating & Material Specification

Part Number	Durability	Mating Force	Shield	
			Material	Finish
XMS-S1B201ZCA	750 Insertions	5 lbs./2.268 kgs.	Brass	10-20m inches Nickel over

### RJ45 Material Specification

Part Number	Contact		Housing	
	Material	Plating Area	Material	Specification
XMS- S1B201ZCA	Phosphor Brass	10-20m inches Nickel over selective gold plating 6 $\mu$ inches	Thermoplastic	UL 94 V-0

\* Operating temperature range: 0°C to +70°C. Storage temperature range: -25°C to +125°C.

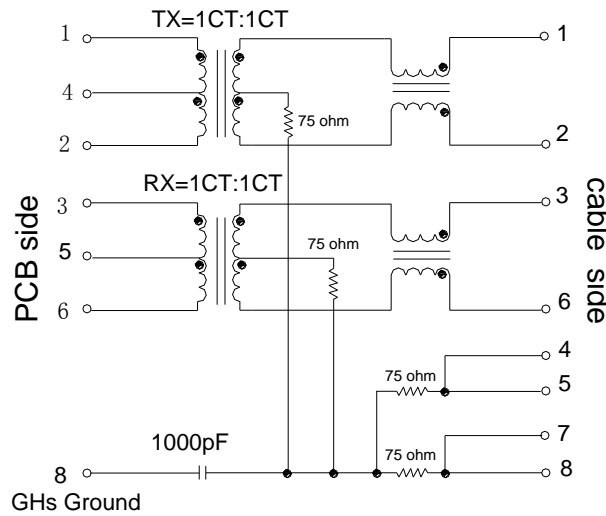
<b>Tel:+805-579-1100</b>	<b>Fax:+805-579-7800</b>
<b>E-mail:info@xmultiple.com</b>	<b>Website:www.xmultiple.com</b>

# SINGLE SMD RJ45 CONNECTOR MODULE WITH 10/100 BASE-TX MAGNETICS

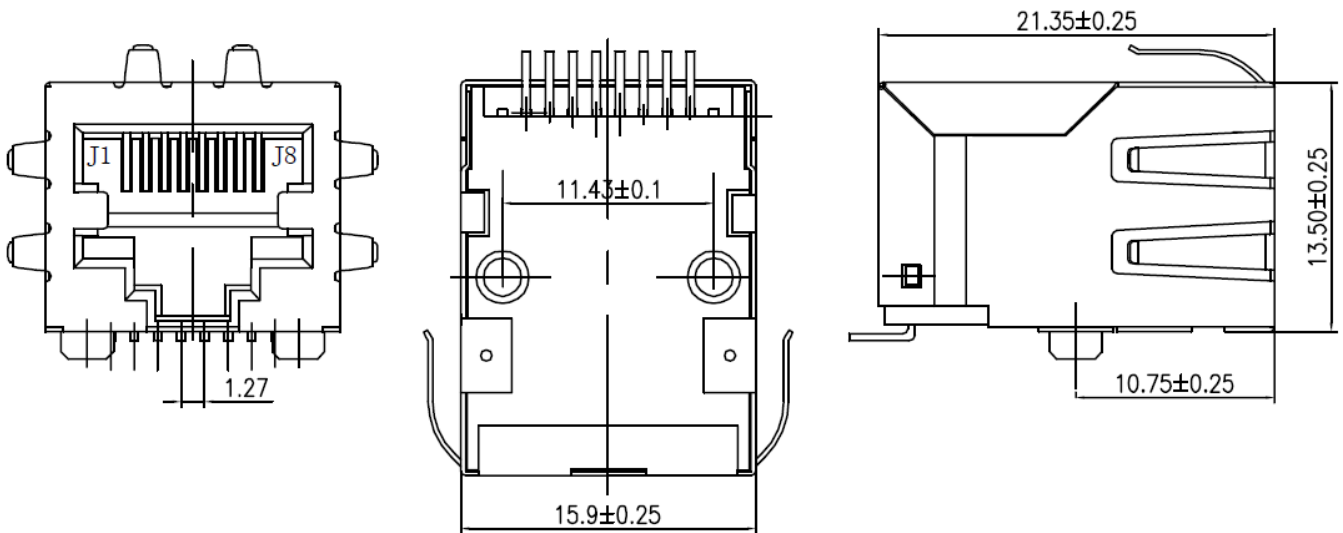
P/N: XMS-S1B201ZCA

Page : 2/3

## Schematic



## Mechanical



Units: mm.

Tolerance: ±0.25 unless specified.

Tel:+805-579-1100

E-mail:info@xmultiple.com

Fax:+805-579-7800

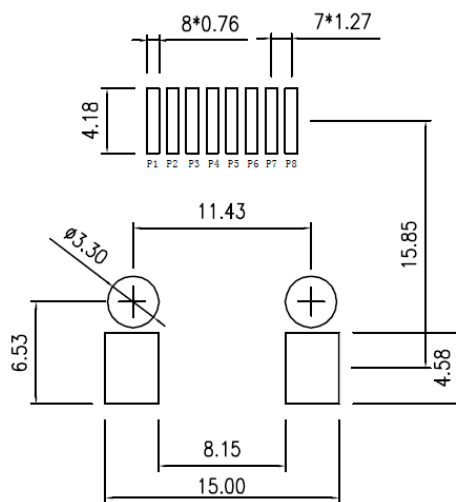
Website:www.xmultiple.com

# SINGLE SMD RJ45 CONNECTOR MODULE WITH 10/100 BASE-TX MAGNETICS

**P/N: XMS-S1B201ZCA**

Page : 3/3

## PCB Layout Mounting Hole (Top View)



### NOTE:

Datasheet Change History:

Version	Description
V0	Datasheet Set Up