

SINGLE PORT SMD RJ11 Connector

P/N: XMS-S10906Z00

Page : 1/2

Feature

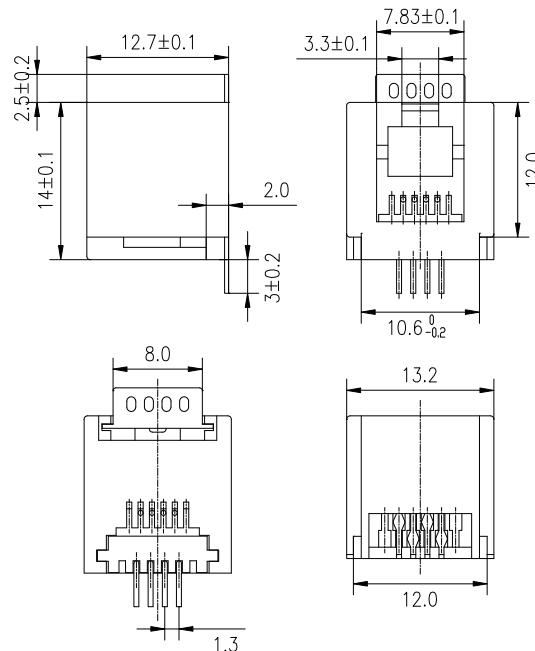
- Single port SMD RJ11 connector.
- RoHS Compliant.

Electrical Specification			
Part Number	Durability cycles	Insulation Resistance (MΩ)	Dielectric Withstanding Voltage @60Hz (V Min)
XMS-S10906Z00	600	1000	1000

RJ45 Material Specification						
Part Number	Contact		Housing		Shield	
	Material	Plating Area	Material	Specification	Material	Finish
XMS-S10906Z00	Phosphor bronze	10-20m inches Nickel over selective gold plating 3μ inches	High Temp Thermoplastic	UL-94V-0	Brass	10-20m inches Nickel

* Operating temperature range: 0□ to +70□. Storage temperature range: -25□ to +125□.

Mechanical



Tel: 805-579-1100	Fax: 805-579-7800
E-mail: info@xmultiple.com	Website: www.xmultiple.com

SINGLE PORT SMD RJ11 Connector

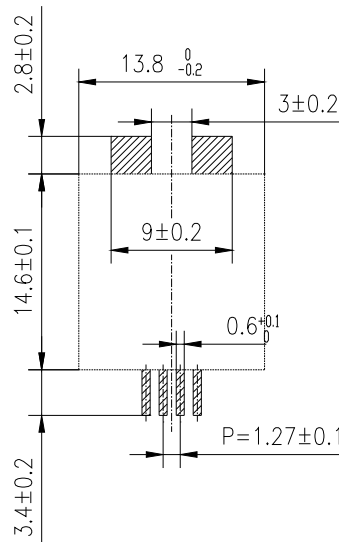
P/N: XMS-S10906Z00

Page : 2/2

Units: mm.

Tolerance: ± 0.25 unless specified otherwise.

PCB Layout Mounting Hole (Top View)



NOTE:

Datasheet Change History:

V0	Datasheet Set Up