

10/100 BASE-TX Filtered SMD Connector Module

P/N: XMS-01D-X-XXX-XXX

Page : 1/8

XMS Series - Surface Mount Magnetic Connectors

Feature

- Fully shielded magnetics protect data from internally generated digital noise.
- Reduces the overall length of the signal path for improved common mode performance.
- Implements full common mode termination scheme with used and unused twisted pairs.
- Meets IEEE802.3 Baseline Wander Compensation specification.
- Integrates high voltage capacitor to chassis ground.
- Supports all major transceivers with matched turns ration and complete integration of specified termination.
- Design for 100 base-tx transmission over UTP-5 cable.
- RoHS Compliant.
- Recommended panel

Part Number	11,12 (Left Led)	9,10 (Right Led)
T	Green	Orange/Green



Electrical Specifications @ 25°C

Part Number	Turns Ratio (±5%)		OCL(μH Min) @100KHz/0.1Vrms with 8mA DC bias	Return Loss 100Ω±15Ω (dB Min)			
	TX	RX		1-30MHz	40MHz	50MHz	60-80MHz
S1B1T11CC	1CT : 1CT	1CT : 1CT	350	-16	-16	-12	-10

Electrical Specifications @ 25°C

Part Number	CMRR (dB Min)	Common Mode Rejection (dB Min)	Crosstalk (dB Min)					HI-POT (Vrms)
	1-100 MHz	1-100 MHz	20 MHz	40 MHz	60 MHz	80 MHz	100 MHz	@60MHz/1Min
S1B1T11CC	-30	-33	-47	-40	-37	-35	-33	1500

* Operating temperature range: -40°C to +85°C. Storage temperature range: -40°C to +125°C.

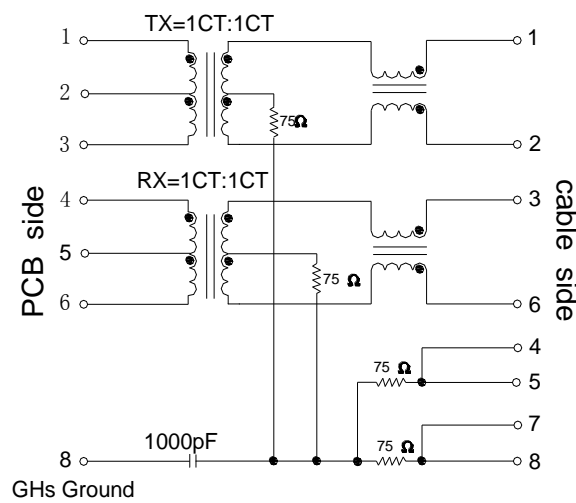
Tel:805-579-1100	Fax:805-579-7800
E-mail:info@xmultiple.com	Website:www.xmultiple.com

10/100 BASE-TX Filtered SMD Connector Module

P/N: XMS-01D-X-XXX-XXX

Page : 2/8

Schematic



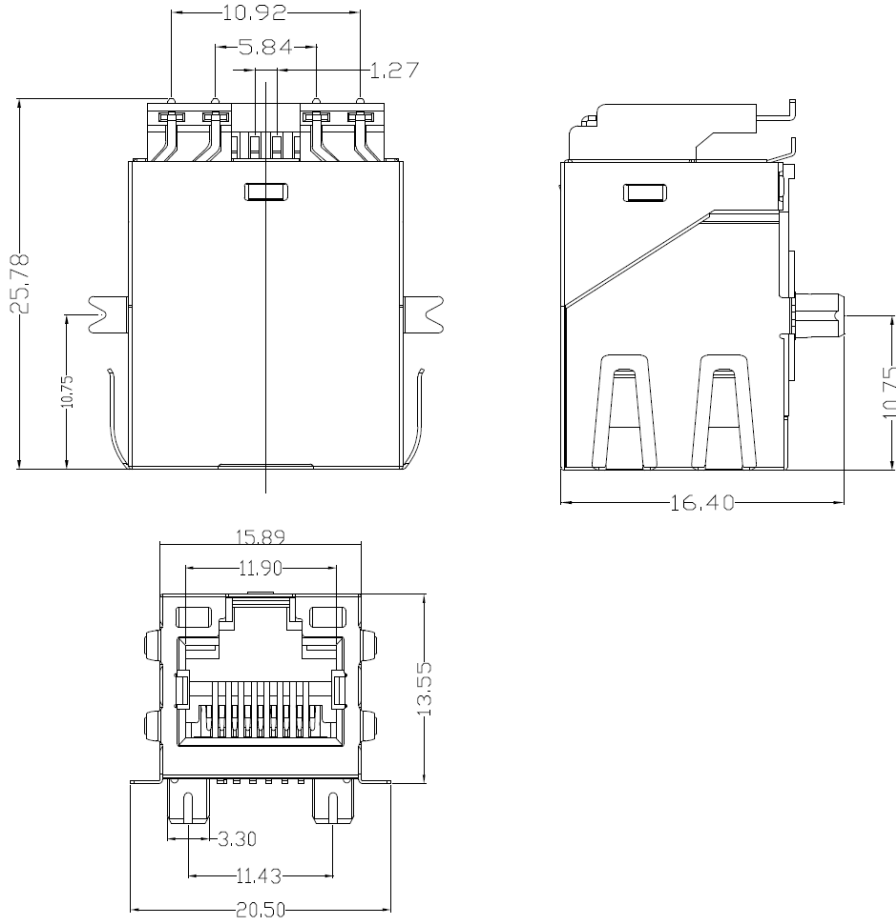
Mechanical

Tel:805-579-1100	Fax:805-579-7800
E-mail:info@xmultiple.com	Website:www.xmultiple.com

10/100 BASE-TX Filtered SMD Connector Module

P/N: XMS-01D-X-XXX-XXX

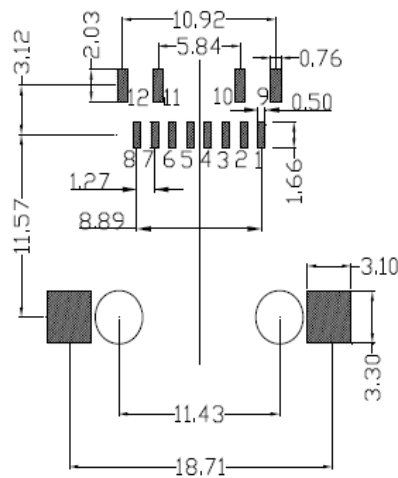
Page : 3/8



Units: mm.

Tolerance: ± 0.25 unless specified otherwise.

PCB Layout Mounting Hole (Top View)



Tel:805-579-1100	Fax:805-579-7800
E-mail:info@xmultiple.com	Website:www.xmultiple.com



10/100 BASE-TX Filtered SMD Connector Module

P/N: XMS-01D-X-XXX-XXX

Page : 4/8

Packing

1. Unit weight: 4.5 grams
2. Tape & Reel: 80pcs / Reel, 400pcs / Carton
3. Dry Pack: 1pcs
Product Description : (5g Silica Gel Desiccant)
PH: 4-8
Package Materials: Paper (Length 6.5±1cm, Width 5±1cm)
4. Reel Packed By Vacuum
5. Seal per Jedec

Tel:805-579-1100	Fax:805-579-7800
E-mail:info@xmultiple.com	Website:www.xmultiple.com

10/100 BASE-TX Filtered SMD Connector Module

P/N: XMS-01D-X-XXX-XXX

Page : 5/8

