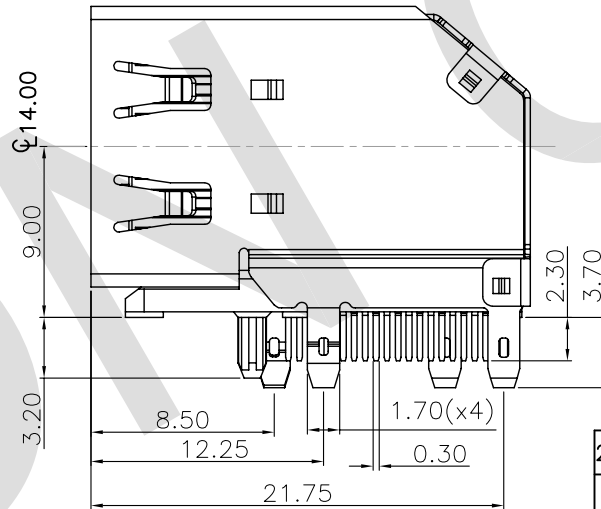
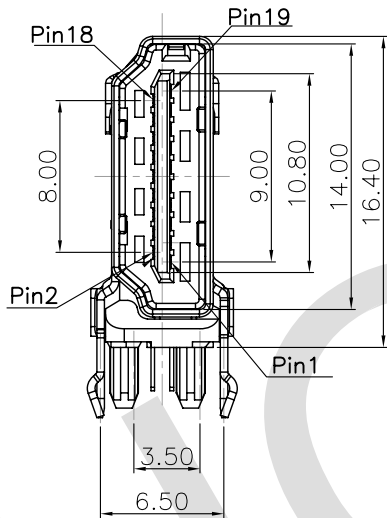


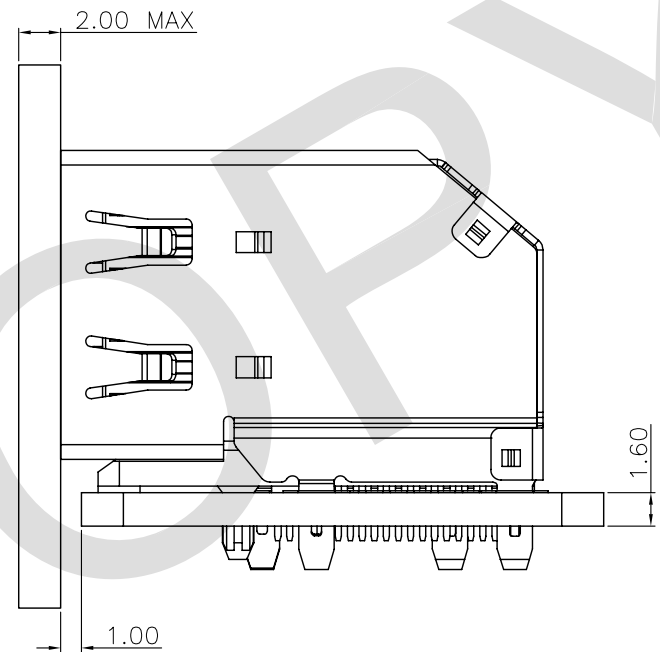
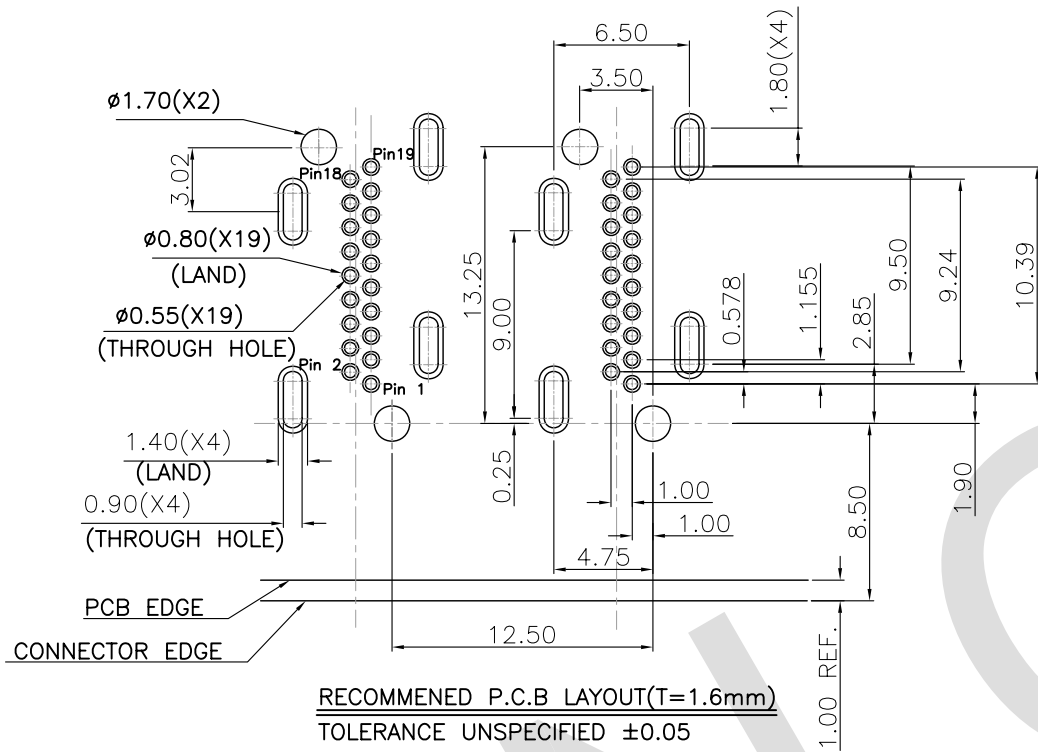
3D VIEW

NOTE
 MATERIAL
 INSULATOR: THERMOPLASTIC UL94V-0
 CONTACTS: COPPER ALLOY
 SHELL: COPPER ALLOY
 BACK SHELL: SPCC
 PART NO. DESCRIPTION:

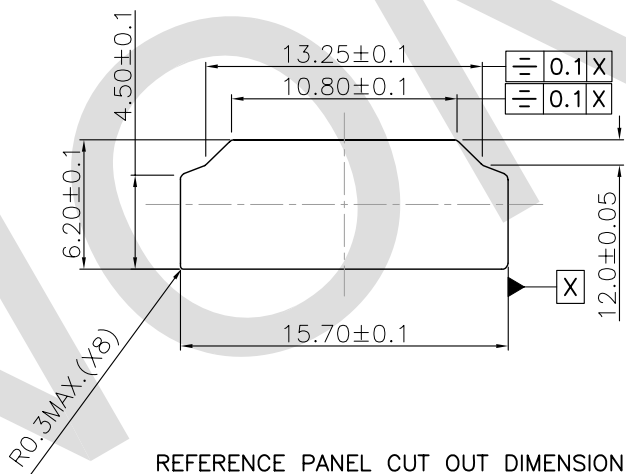
SERIES NO. 28 4-19 2 1 N A 02 40
 PRODUCT KIND. NO BUCKLE.
 COLOR: 01=WHITE 02=BLACK
 12=BEIGE
 PIN NUMBER. TERMINAL PLATE:
 A=1U" B=3U"
 C=5U" D=10U"
 E=15U" F=30U"
 TYPE: 1=MALE 2=FEMALE.
 SHELL MATERIAL: SHELL PLATE:
 1= BRASS A=1U" B=3U"
 2=ZINC ALLOY
 T=TIN N=NICKEL
 Q=PLATE NICKEL
 WELDABLE TIN



2011/03/14	ING		NEW-DWG		AO
DATE	DR.BY	ECN.NO.	DESCRIPTION	MARK	VER.
-TOLERANCES- UNLESS OTHERWISE SPECIFIED 公差參考表					
X.X ±0.30	X.X" ±3.0°	APPD:	PRODUCT NO: 284-1921NA0240		
X.XX ±0.20	X.XX" ±1.00°	CHECK:	DATE	SCALE	UNIT
X.XXX ±0.100	X.XXX" ±0.500°	DRAW:	2009.12.28	1:1	mm
			TYPE	CD	PAGE
			1/2		



INSTALLED CONDITION



2011/03/14	ING		NEW-DWG		AO
DATE	DR.BY	ECN.NO.	DESCRIPTION	MARK	VER.
-TOLERANCES- UNLESS OTHERWISE SPECIFIED 公差参考表					
X.X ± 0.30	X.X° $\pm 3.0^\circ$	APPD:	PRODUCT NO: 284-1921NA0240		
X.XX ± 0.20	X.XX° $\pm 1.00^\circ$	CHECK:	DATE	SCALE	UNIT
X.XXX ± 0.100	X.XXX° $\pm 0.500^\circ$	DRAW:	2009.12.28	1:1	mm
			UNIT	TYPE	PAGE
			CD		2/2