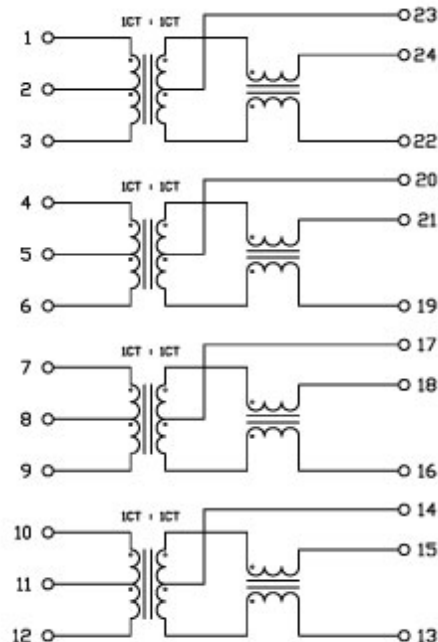
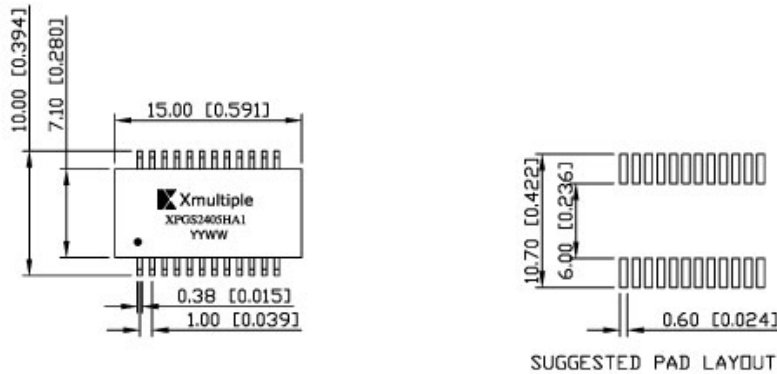


1000 BASE-T Magnetics Modules with PoE* Option

XF- VT-102
Feature

Page : 1/2



1000 BASE-T Magnetics Modules with PoE* Option

XF- VT-102

Page : 2/2

TEST NOTES:(25 \pm 5 $^{\circ}$ C)

1. TR:(100KHz,0.1V)
PINS:(1,3)<(24,22)=1 \pm 3%;(4,6)<(21,19)=1 \pm 3%
PINS:(7,9)<(18,16)=1 \pm 3%;(10,12)<(15,13)=1 \pm 3%
2. LX:(100KHz,100mV,8mA, DC Bias)
PINS:(1,3),(4,6),(7,9),(10,12)=350 μ H MINIMUM
3. DCR
PINS:(24,22),(21,19),(18,16),(15,13)=0.9 Ω MAXIMUM
4. HIPDT:
PINS:(1,2,3)TO PINS:(24,23,22)=1500VAC FOR 60 SECONDS
PINS:(4,5,6)TO PINS:(21,20,19)=1500VAC FOR 60 SECONDS
PINS:(7,8,9)TO PINS:(18,17,16)=1500VAC FOR 60 SECONDS
PINS:(10,11,12)TO PINS:(15,14,13)=1500VAC FOR 60 SECONDS
5. INSERTION LOSS:
-1.0dB MAXIMUM AT 1MHz TO 100MHz
6. RETURN LOSS:
-18dB MINIMUM AT 1MHz TO 40MHz
-15dB MINIMUM AT 60MHz
-12dB MINIMUM AT 80MHz
7. CROSS TALK:
-40dB MINIMUM AT 1MHz TO 30MHz
-35dB MINIMUM AT 60MHz
-30dB MINIMUM AT 100MHz
8. COMMON TO COMMON MODE REJECTION:
-40dB MINIMUM AT 1MHz TO 30MHz
-40dB MINIMUM AT 60MHz
-35dB MINIMUM AT 80MHz TO 100MHz
9. OPERATING TEMPERATURE : -40 $^{\circ}$ C ~ +85 $^{\circ}$ C