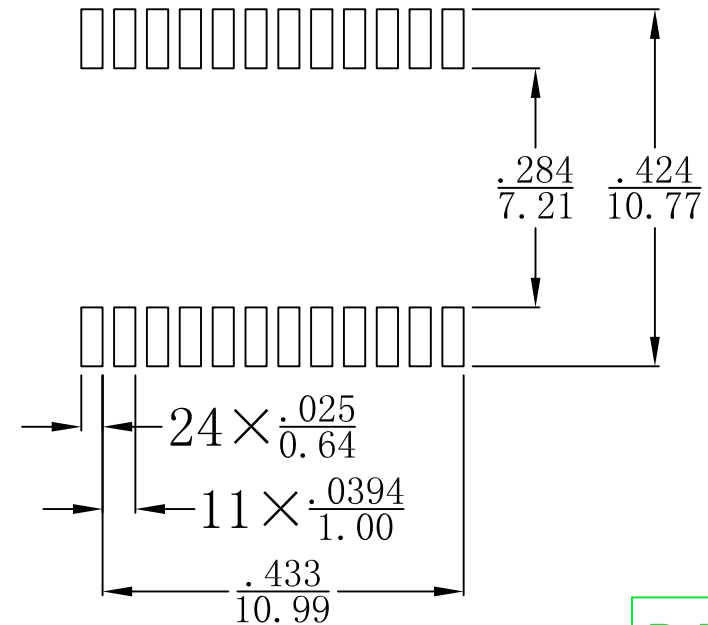
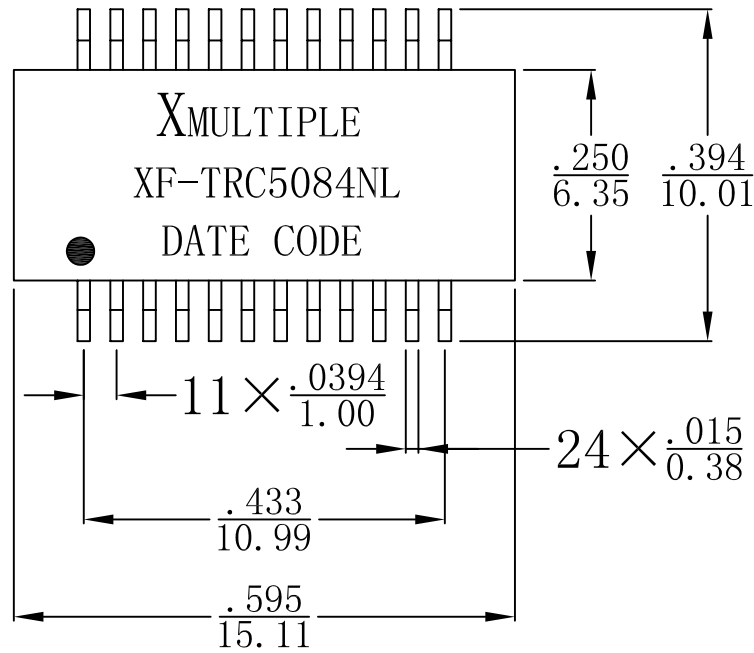
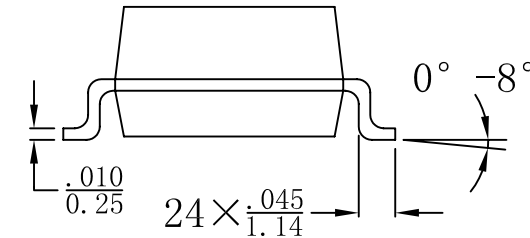
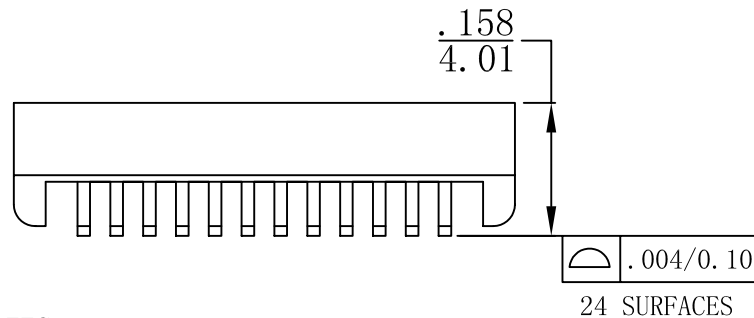


Mechanical :

REV.	ECN NO.	DESCRIPTION	DATE	APPD
A	REL		23/12/2009	



SUGGESTED PAD LAYOUT



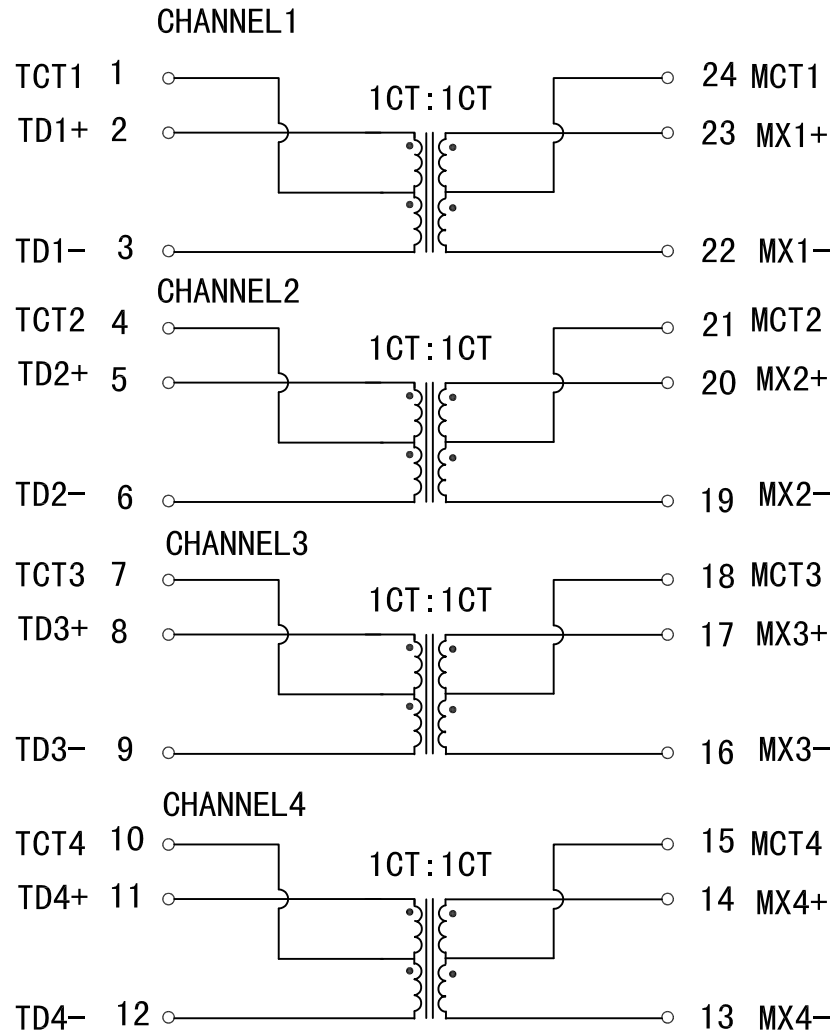
NOTES:

1. DESIGNED FOR GIGABIT TRANSCEIVERS
2. RoHS COMPLIANT
3. PEAK REFLOW TEMPERATURE RATING 245°C
4. MAGNETICS, DESIGNED FOR GIGABIT PHY USED IN BACKPLANE
5. COMPLIANT WITH IEEE 802.3AB STANDARD
6. UL CERTIFICATION: FILE NUMBER E321120

X:X	±0.20	APPD:	<i>XMULTIPLE</i>	
X:XX	±0.10	CHKD:		
X:XXX	±0.05	DR: C. H. Y	Title: 1000Base-T Magnetics Modules	
ANGLES	±1°	UNIT: Inches/mm	PART NO.: XF-TRC5084NL	
	SCALE: 2/1	SHEET: 1/2	REV: A	DWG NO.: TRC09122310

Schematic:

REV.	ECN NO.	DESCRIPTION	DATE	APPD
A	REL		23/12/2009	



Electrical Specification @25°C

- Insertion Loss:
 - 1-100MHz: -1.0dB MAX
- Return Loss (dB MIN):
 - 1-30MHz: -18
 - 40MHz: -18
 - 50MHz: -16
 - 60-80MHz: -12
 - 100MHz: -10
- Crosstalk (dB MIN):
 - 30MHz: -45
 - 60MHz: -40
 - 100MHz: -35
- Differential to Common Mode Rejection:
 - 30MHz: -43dB MIN
 - 60MHz: -37dB MIN
 - 100MHz: -33dB MIN
- Hipot: 1500Vrms MIN
- Operating Temperature: 0~70°C



X:X	±0.20	APPD:	<i>X</i> MULTIPLE	
X:XX	±0.10	CHKD:		
X:XXX	±0.05	DR: C. H. Y	Title: 1000Base-T Magnetics Modules	
ANGLES	±1°	UNIT: Inches/mm	PART NO.: XF-TRC5084NL	
	SCALE: 2/1	SHEET: 2/2	REV: A	DWG NO.: TRC09122310