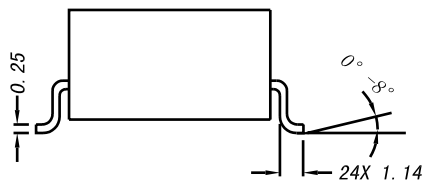
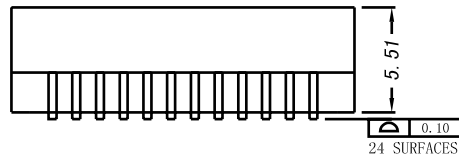


SUGGESTED PAD LAYOUT



HS"NL" peak solder rating  $260 \pm 5^\circ\text{C}$ .  
 5. UL Certification: File Number E321120

**XMULTIPLE**

Title: 1000Base-T Magnetic Modules

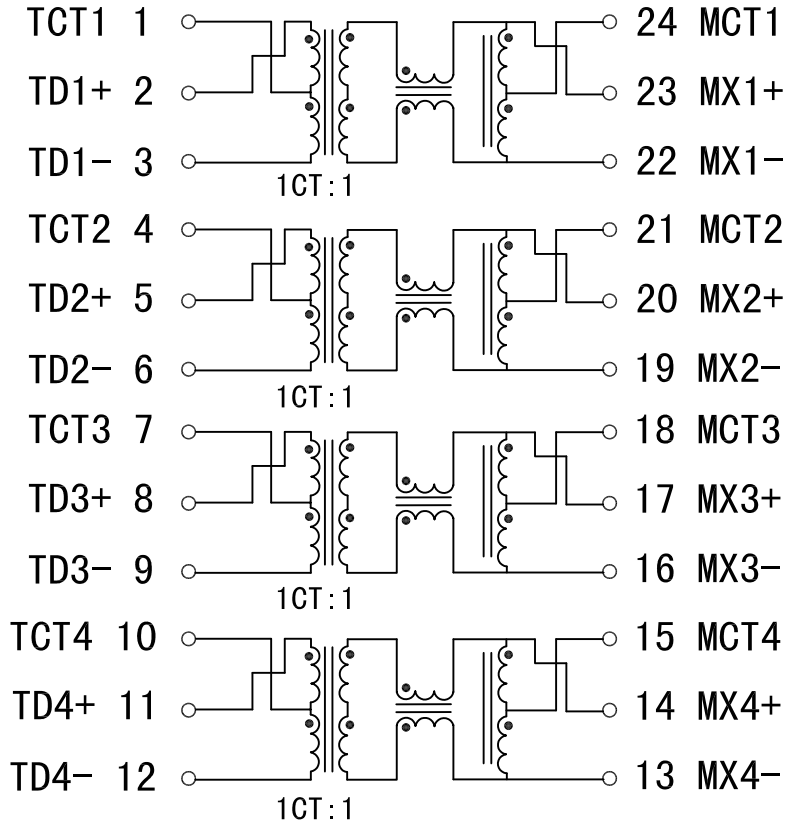
PART NO.: XF-TRC5007NLE-NEV

DWG NO.: TRC09092405



# Schematic:

REV.	ECN NO.	DESCRIPTION	DATE	APPD
A	REL		24/09/2009	



## Electrical Specifications @25°C

- Insertion Loss:
  - 1-100MHz: -1.0dB max
- Return Loss (dB min):
  - 1-30MHz: -18      40MHz: -18
  - 50MHz: -16      60-80MHz: -12
  - 100MHz: -10
- Crosstalk (dB min):
  - 30MHz: -45      60MHz: -40
  - 100MHz: -35
- DCMR: (dB min):
  - 30MHz: -43      60MHz: -37
  - 100MHz: -33
- Isolation Voltage: 1500Vrms min
- Operating Temperature: 0~70°C



X:X	±0.20	APPD:	<b>XMULTIPLE</b>
X:XX	±0.10	CHKD:	
X:XXX	±0.05	DR: C. H. Y	<i>Title:</i> 1000Base-T Magnetic Modules
ANGLES	±1°	UNIT: mm	PART NO.: XF-TRC5007NLE-NEV
	SCALE: 2/1	SHEET: 2/2	REV: A    DWG NO.: TRC09092405