

# XF Transformer

## Single Port Gigabit



### SINGLE PORT 1000 BASE –T SMD LAN MAGNETICS MODULES

#### XF-TRC5004-C and XF-TRC5007-C

Page : 1/2

- Designed for long haul gigabit Ethernet 1000 BASE-T, full duplex applications.
- Supports 4 pairs of category 5 UTP cable.
- Cable interface for isolation and low common mode emissions.
- Compliant with IEEE 802.3ab standard for 1000 BASE-T.
- HI-POT: 1500V.
- RoHS compliant. Add NL to the end of the part number for RoHS

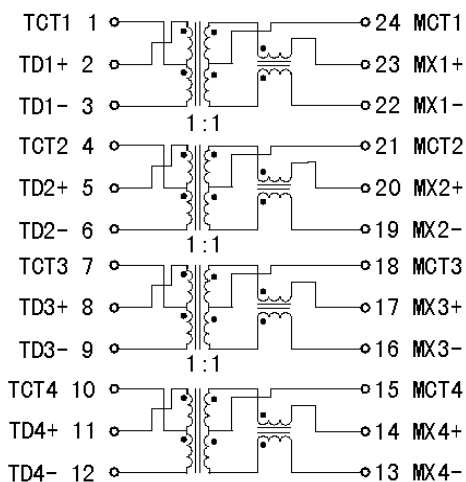


Electrical Specifications @ 25°C													
Part Number	Turns Ratio (±5%) TX/RX	Insertion Loss (dB Max) 1-100MHz z	Return Loss @Load 100Ω (dB Min)					Cross talk (dB Min)			DCMR (dB Min)		
			1-30 MHz	40 MHz	50 MHz	60-80 MHz	100 MHz	30 MHz	60 MHz	100 MHz	30 MHz	60 MHz	100 MHz
XF-TRC500X-C	1CT:1	-1.0	-18	-14.4	-13.1	-12	-10	-45	-40	-35	-43	-37	-33

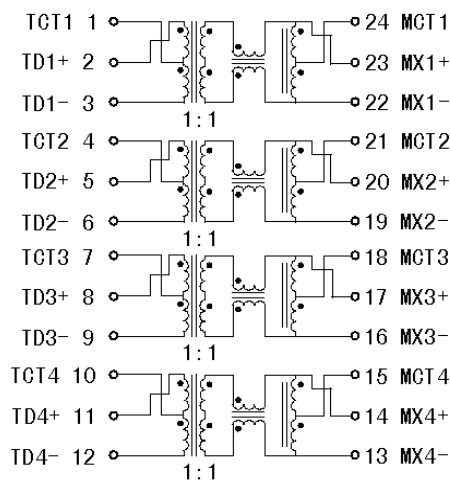
\* Operating temperature range: 0°C to +70°C. Storage temperature range: -25C to +125°C. Optional Industrial temperature at -40°F to +85°F degrees is denoted with a C at the end of the part number.

#### SCHEMATIC

##### TRC5004



##### TRC5007



# XF Transformer

## Single Port Gigabit

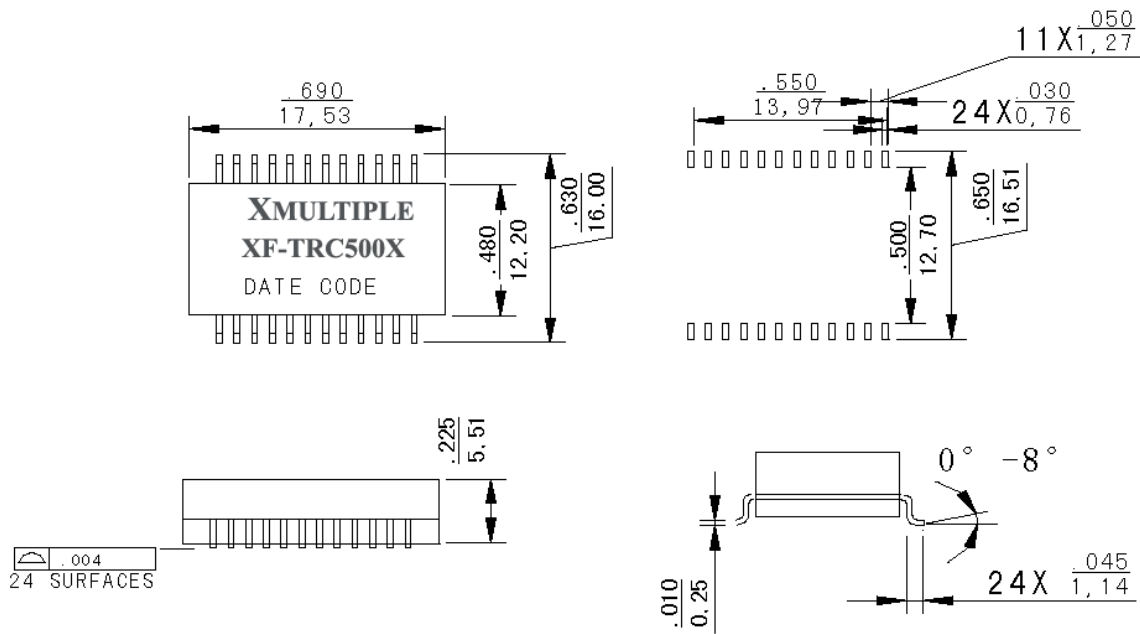


### SINGLE PORT 1000 BASE -T SMD LAN MAGNETICS MODULES

#### XF-TRC5004-C and XF-TRC5007-C

Page : 2/2

#### MECHANICAL



Units: mm.  
Tolerance: ±0.25 unless specified otherwise.