

# 1000Base-T Magnetics Modules

- ※ Designed to Support 1:1 Turns Ratio Transceivers
- ※ Compliant with IEEE 802.3ab standard for 1000Base-T
- ※ For RoHS part add suffix NL\*
- ※ RoHS NL peak solder rating 235°C



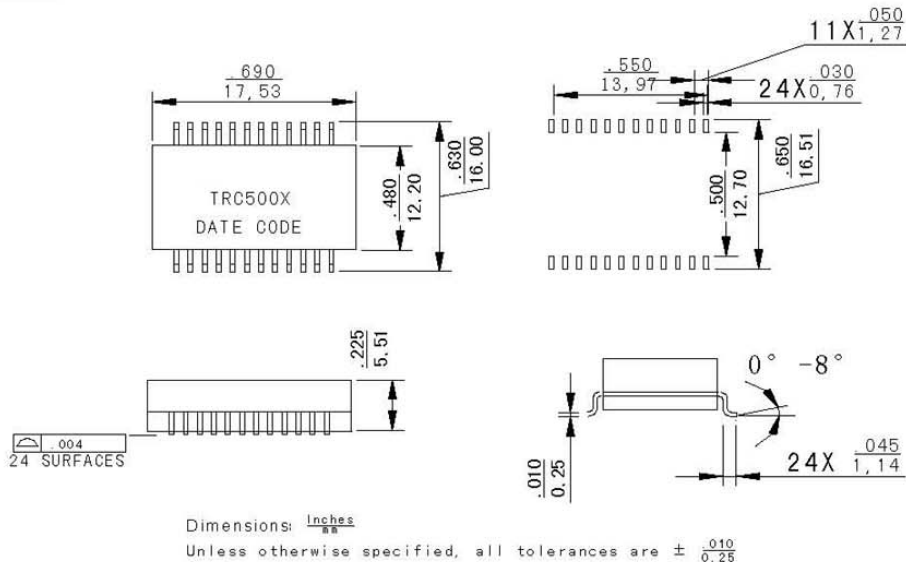
**Electrical Specifications @ 25°C --- Operating Temperature 0°C to 70°C**

Part Number	Insertion Loss (dB MAX)	Return Loss (dB MIN @ 100 Ω)					Differential to Common Mode Rejection (dB MIN)			Crosstalk (dB MIN)			Hipot (Vrms MIN)
		1-100MHz	1-30MHz	40MHz	50 MHz	60-80 MHz	100 MHz	30 MHz	60 MHz	100 MHz	30 MHz	60 MHz	
TRC5004	1.0	-18	-18	-16	-12	-10	-43	-37	-33	-45	-40	-35	1500
TRC5007	1.0	-18	-18	-16	-12	-10	-43	-37	-33	-45	-40	-35	1500

\*.Add suffix NL for ROHS compliant, eg: TRC5007 changes to TRC5007NL

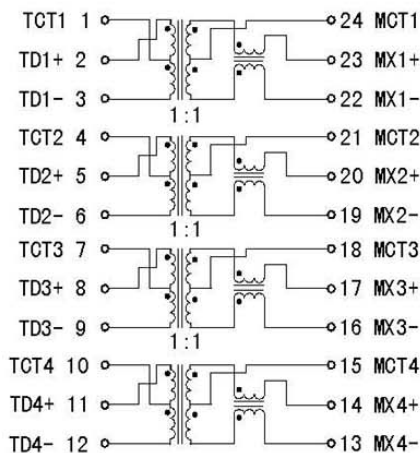
## Mechanical

**TRC5004, TRC5007**



## Schematics

**TRC5004**



**TRC5007**

