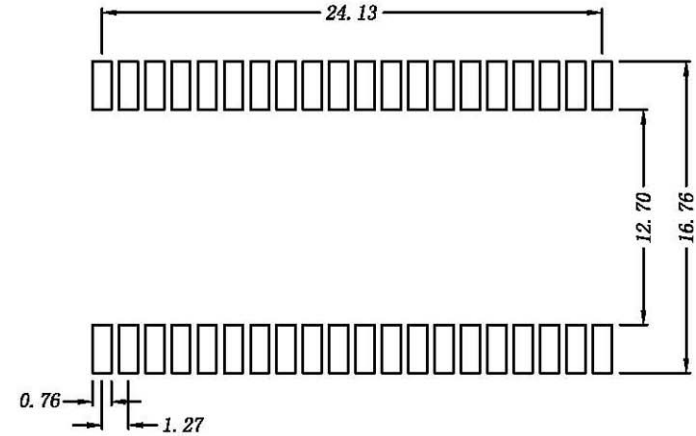
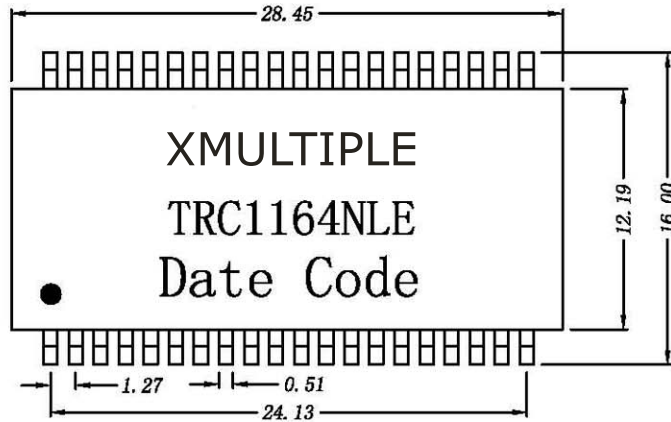
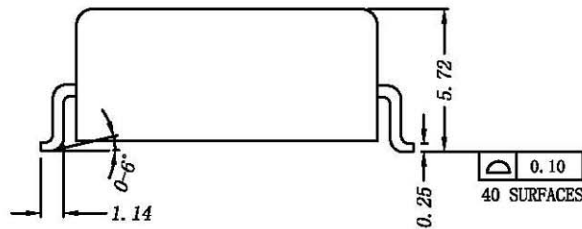


Mechanical :

| REV. | ECN NO. | DESCRIPTION | DATE | APPD |
|------|---------|-------------|------------|------|
| A | REL | | 18/12/2007 | |



UGGESTED PCB LAYOUT (TOP VIEW)



NOTES:

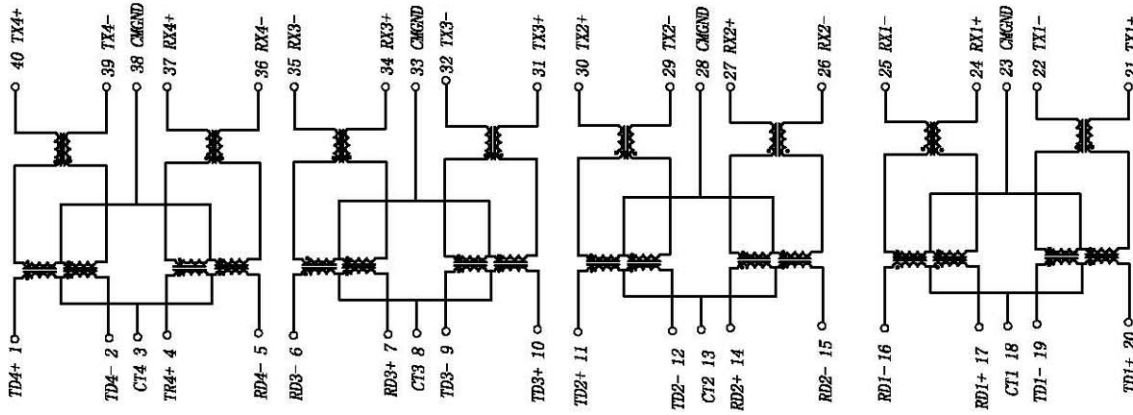
1. Designed to support application, such as SOHO (ADSL modems), LAN-on-Motherboard (LOM), hub and Switches.
2. With various Turns Ratios.
3. 350uH min OCL with 8mA bias current.
4. ROHS "NLE" peak solder rating 235°C.



| | | | | |
|------------|-------|-------------|---|-----------|
| X:X | ±0.20 | APPD: | XMULTIPLE | |
| X:XX | ±0.10 | CHKD: | | |
| X:XXX | ±0.05 | DR: C. H. Y | | |
| ANGLES | ±1° | UNIT: mm | Title: 10/100Base-T Quad Port Transformer Modules | |
| | | | PART NO. : XF-TRC1164NLE | |
| SCALE: 2/1 | | SHEET: 1/2 | REV: A | DWG NO. : |

Schematic:

| REV. | ECN NO. | DESCRIPTION | DATE | APPD |
|------|---------|-------------|------------|------|
| A | REL | | 18/12/2007 | |



Electrical Specification@25°C:

- Insertion Loss(max):
0.1-100MHZ:-1.0dB
- Return Loss(min):
2-30MHZ:-18dB 40MHZ:-14.4dB
50MHZ:-13.1dB 60-80MHZ:-12dB
- Crosstalk(min):
0.1MHZ:-55dB 30MHZ:-45dB
60MHZ:-40dB 100MHZ:-33dB
- DCMR(min):
1-60MHZ:-37dB 60-200MHZ:-25dB
- Isolation Voltage:1500V
- Operating Temperature:0~70°C



| | | | |
|--------|------------|-------------|--|
| X:X | ±0.20 | APPD: | XMULTIPLE |
| X:XX | ±0.10 | CHKD: | |
| X:XXX | ±0.05 | DR: C. H. Y | <i>Title:</i> 10/100Base-T Quad Port Transformer Modules |
| ANGLES | ±1° | UNIT: mm | PART NO.: XF-TRC1164NLE |
| | SCALE: 2/1 | SHEET: 2/2 | REV: A DWG NO.: |