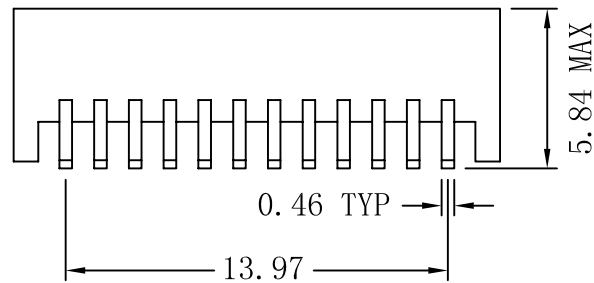
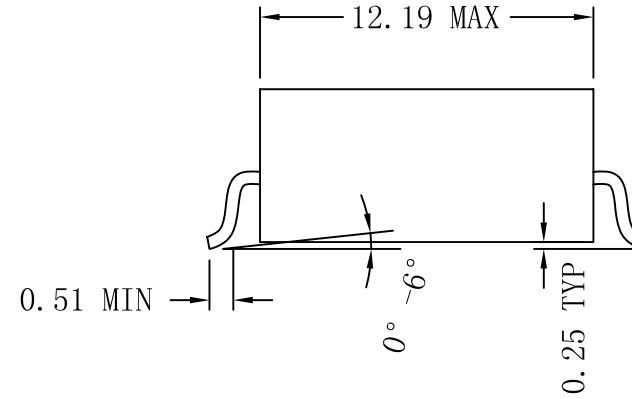
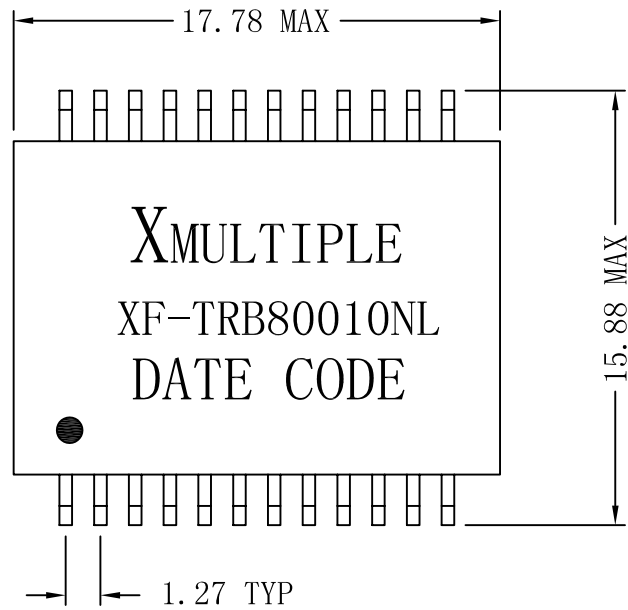


Mechanical :

REV.	ECN NO.	DESCRIPTION	DATE	APPD
A	REL		18/01/2008	



NOTES:

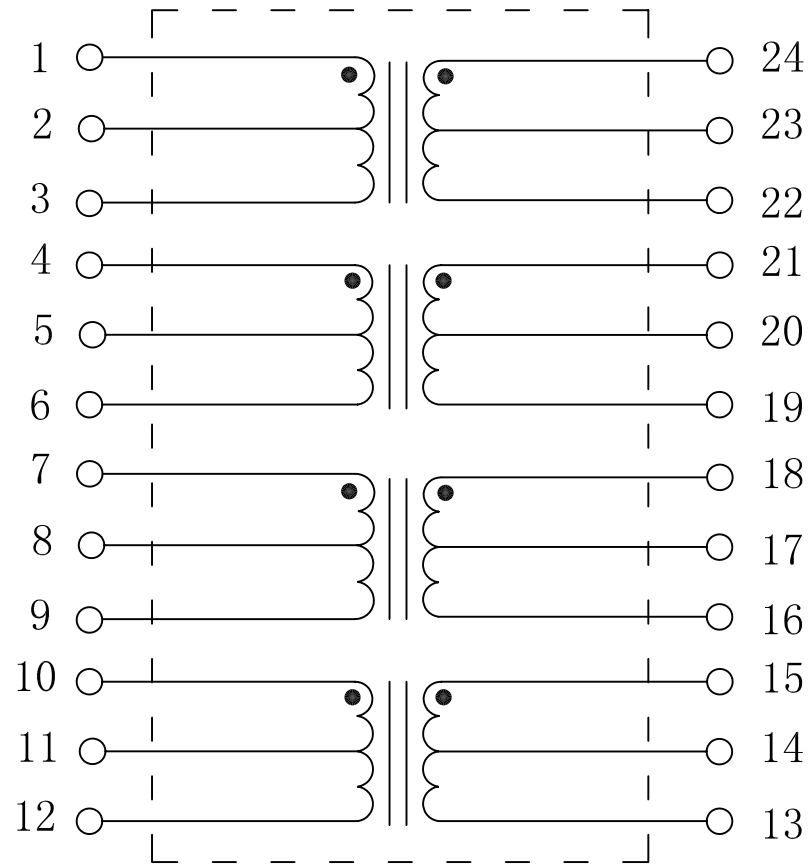
1. The part is RoHS compliant.
2. RoHS "NL" peak solder rating 245°C (+0/-5°C).
3. UL certification: file number E321120



X:X	±0.20	APPD:	XMULTIPLE	
X:XX	±0.10	CHKD:		
X:XXX	±0.05	DR: C. H. Y		
ANGLES	±1°	UNIT: mm	PART NO.:	XF-TRB80010NL
		SCALE: 2/1	SHEET: 1/2	REV: A
		DWG NO.:		TRC09122312

Schematic:

REV.	ECN NO.	DESCRIPTION	DATE	APPD
A	REL		18/01/2008	



Electrical Specifications @25°C

- Turns Ratio: ($\pm 2\%$)
TX: 1CT:2CT RX: 1CT:1CT
- Isolation Voltage: 1500Vrms
- Cw/w: 35pF MAX
- LL: 0.5uH MAX
- OCL: 1.5mH TYP
- PRIDCR: 0.8Ω MAX
- Crosstalk:
0.1-10MHz: -60dB TYP
- Operating Temp Range: -40 to 85°C
- Primary Pins:
TX: 4-6 & 10-12 RX: 24-22 & 18-16



X:X	±0.20	APPD:	XMULTIPLE	
X:XX	±0.10	CHKD:		
X:XXX	±0.05	DR: C. H. Y	Title: SMD Daul Ports T1/E1 Line Interface Module	
ANGLES	±1°	UNIT: mm	PART NO.: XF-TRB80010NL	
	SCALE: 2/1	SHEET: 2/2	REV: A	DWG NO.: TRC09122312