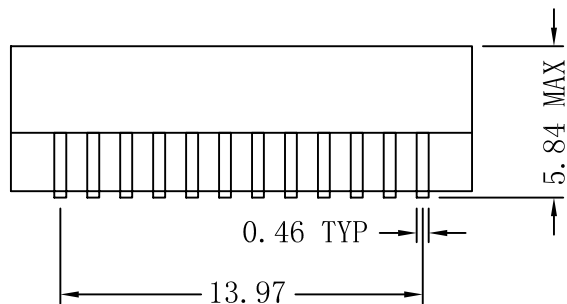
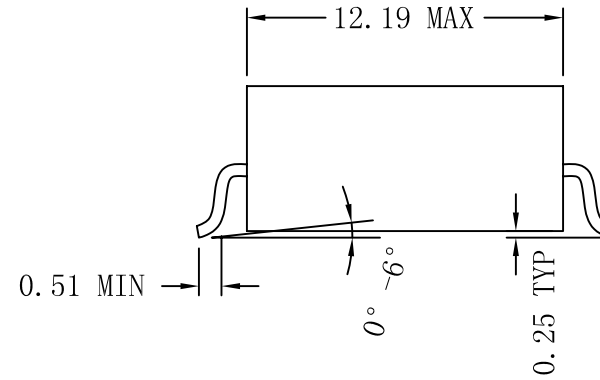
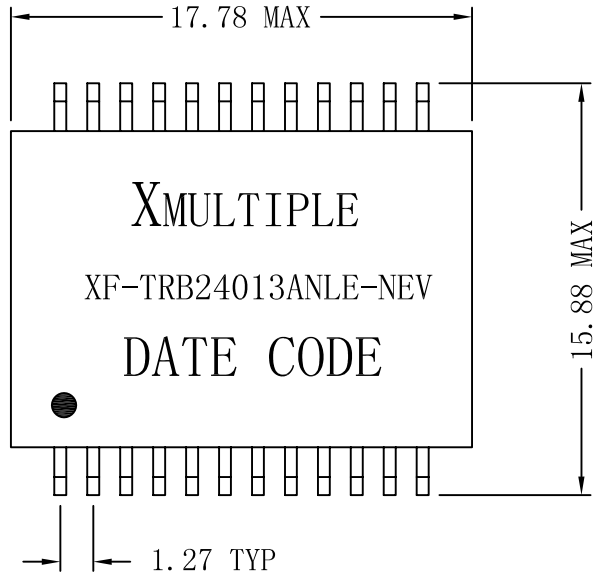


Mechanical:

REV.	ECN NO.	DESCRIPTION	DATE	APPD
A	REL		24/09/2009	



NOTES:

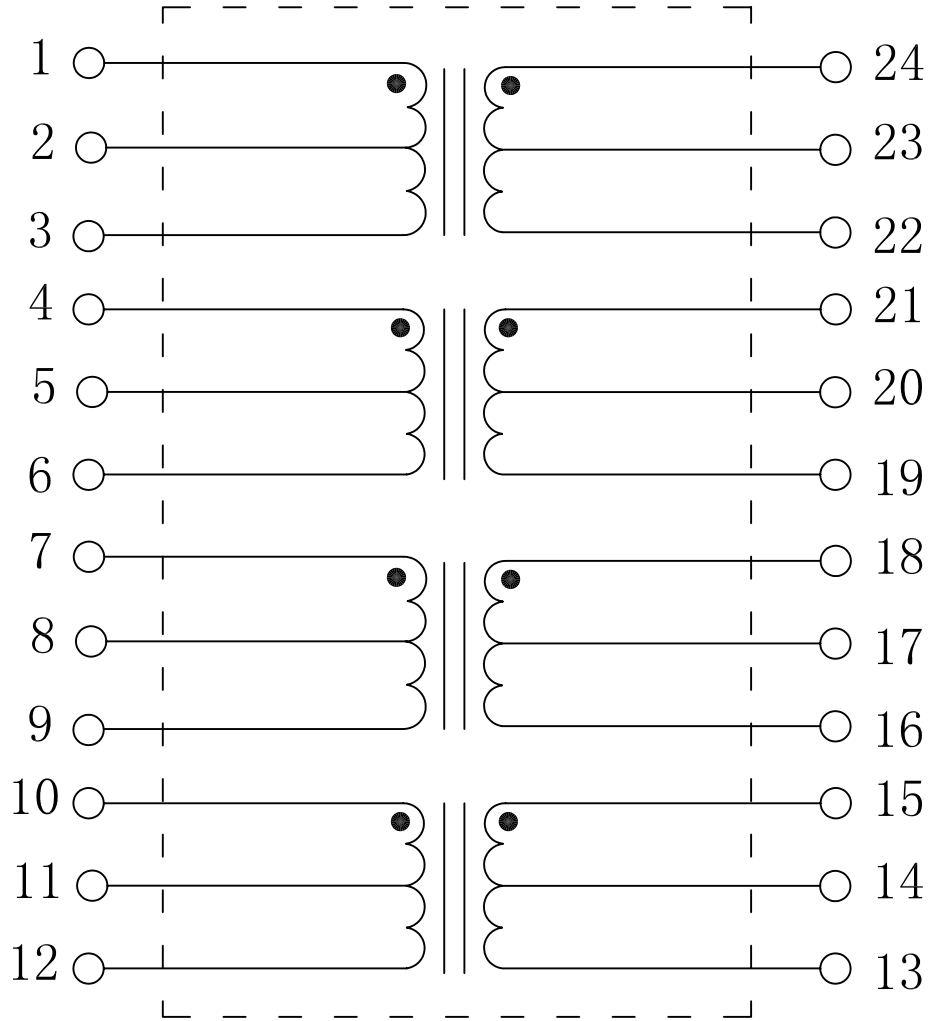
1. The part is RoHS compliant.
2. RoHS "NL" peak solder rating 235°C.



X:X	±0.20	APPD:	XMULTIPLE	
X:XX	±0.10	CHKD:		
X:XXX	±0.05	DR: C. H. Y	Title: SMD Daul Ports T1/E1 Line Interface Module	
ANGLES	±1°	UNIT: mm	PART NO.: XF-TRB24013ANLE-NEV	
	SCALE: 2/1	SHEET: 1/2	REV: A	DWG NO.: TRC09092404

Schematic:

REV.	ECN NO.	DESCRIPTION	DATE	APPD
A	REL		24/09/2009	



Electrical Specifications @25°C

Turns Ratio: ($\pm 2\%$)

TX: 1CT:2CT RX: 1CT:2CT

Isolation Voltage: 1500Vrms

Cw/w: 35pF MAX

LL: 0.5uH MAX

OCL: 1.5mH TYP

PRI DCR: 0.8Ω MAX

Crosstalk(0.1-10MHz): -60dB TYP

Operating Temp Range: -40 to +85°C

Primary Pins:

TX: 4-6 & 10-12 RX: 1-3 & 7-9



X:X	± 0.20	APPD:	<h1>XMULTIPLE</h1>
X:XX	± 0.10	CHKD:	
X:XXX	± 0.05	DR: C. H. Y	Title: SMD Daul Ports T1/E1 Line Interface Module
ANGLES	$\pm 1^\circ$	UNIT: mm	PART NO.: XF-TRB24013ANLE-NEV
	SCALE: 2/1	SHEET: 2/2	REV: A DWG NO.: TRC09092404