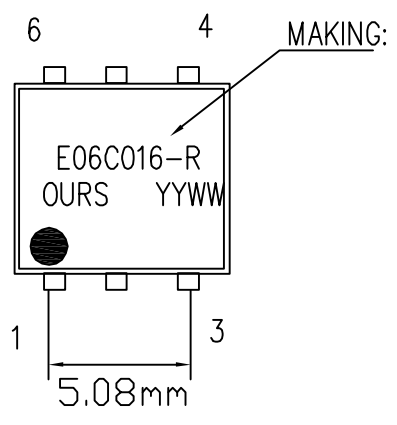
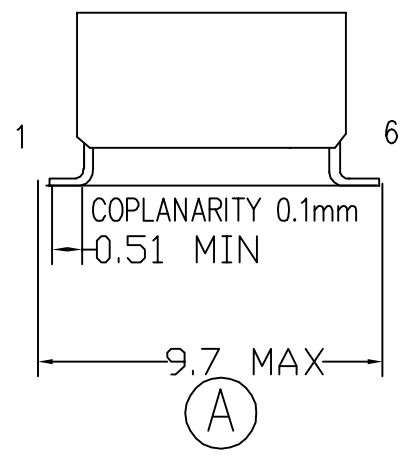
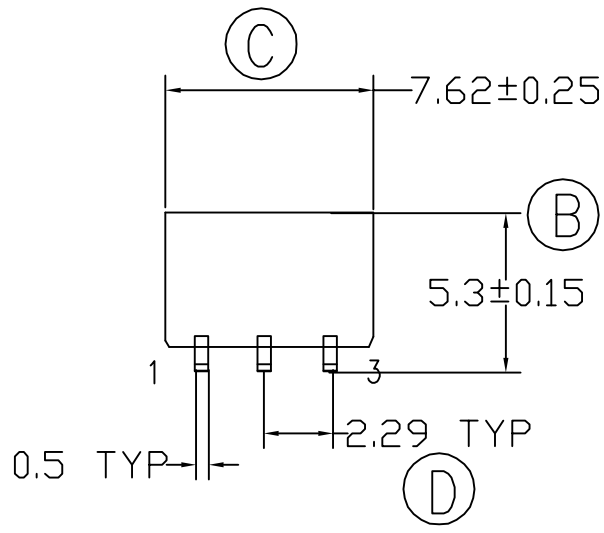
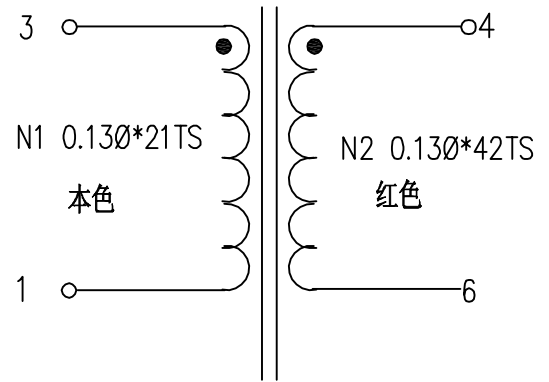


A	B	C	D
PART DESCRIPTION :		TRANSFORMER	
Xmultiple Technologies		PART NO: XF-TR4Y981-X503	XF-TR4Y981-X503
		REVISION:	REVISION:

1. DIMENSIONS: UNIT: (mm)



2. SCHEMATIC:



ATTENTION: All the information shown on this specification is strictly confidential. In case of distribution without authorization from the manufacturer, penalties should be made.

CUSTOMER APPROVED BY:				
QC CHECKED BY: 张文超 10/20.11	APPRD BY: 憑少平	CHECKED BY: 孫雲伍	DESIGNED BY: 陳盛茂	DRAWN BY: 贺娟

A		B		C		D	
PART DESCRIPTION :				TRANSFORMER			
Xmultiple Technologies				PART NO: XF-TR4Y981-X503		XF-TR4Y981-X503	
				REVISION:		REVISION:	
3.ELECTRICAL CHARACTERISTICS:							
ITEM	PARAMETER	SYMBOLS AND CONDITIONS	RESULT OF RANGE		UNIT	TEST INSTRUMENTS	
			YOURS	OURS			
1	INDUCTANCE	3-1 @100KHZ 0.05V	1.2 MIN		mH	#HP4284L	
2	DC RESISTANCE	3-1 4-6 @25°C	0.7 MAX		OHM OHM	#502A	
3	HI-POT	3-4 @1500VAC 3mA 1SEC 60HZ 3.4-CORE @600VAC 3mA 1SEC 60HZ				#9301S	
4	T/S	3-1 20KHZ 1V NP: 4-6=42TS		21±0.2	TS	#310	
5	LK	3-1 tie: 4+6 @100KHZ 0.05V	0.4 MAX		uH	#HP4284L	
6	C	3-1-4-6 @1MHZ 0.5V	30 MAX		PF	#HP4284L	
ATTENTION: All the information shown on this specification is strictly confidential In case of distribution without authorization from the manufacturer, penalties should be made							
CUSTOMER APPROVED BY:							
QC CHECKED BY: 张文超10/20.11		APPRD BY: 憑少平		CHECKED BY: 孫雲伍		DESIGNED BY: 陳盛茂	
						DRAWN BY: 贺娟	
Sheet 2 of 3							

A	B	C	D		
PART DESCRIPTION : TRANSFORMER					
Xmultiple Technologies		PART NO: XF-TR4Y981-X503	XF-TR4Y981-X503		
		REVISION:	REVISION:		
4.MATERIAL LIST					
NO.	ITEM	MATERIAL	TMP	SUPPLIER OF THE MATERIAL	UL NO
1	BASE	Black DAP			
2	CORE	T4*2*2-P A15		ACME ELECTRONICS CORPORATION CO.,LTD. OR EQUIVALENT	
		H4*2*2-P R15K		HENGDIAN GROUP DMEGC MAGNETICS CO;LTD.OR EQUIVANENT	
3	WIRE	DD	130°C	PACIFIC ELECTRIC WIRE & CABLE (SHENZHEN)CO;LTD	E84081
4	EPOXY	1007A/B	94V-0	WELLS ELECTRONIC MATERIAL CO.,LTD.	
5	VARNISH	BC-359	180°C	JOHN C DOLPH CO.,LTD.	E317427
6	CASE	Black DAP			
7					
8					
ATTENTION: All the information shown on this specification is strictly confidential In case of distribution without authorization from the manufacturer, penalties should be made					
CUSTOMER APPROVED BY:					
QC CHECKED BY: 张文超10/20.11		APPRD BY: 憑少平	CHECKED BY: 孫雲伍	DESIGNED BY: 陳盛茂	DRAWN BY: 贺娟
Sheet 3 of 3					
A	B	C	D		