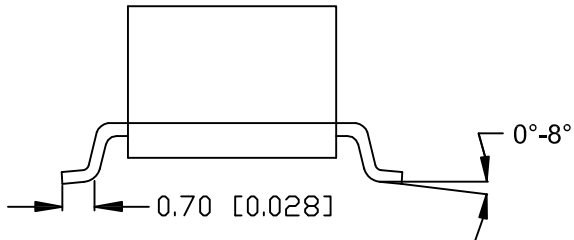
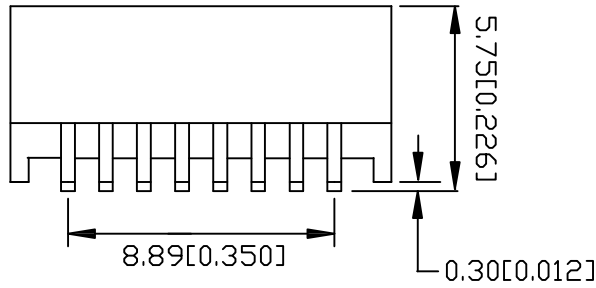
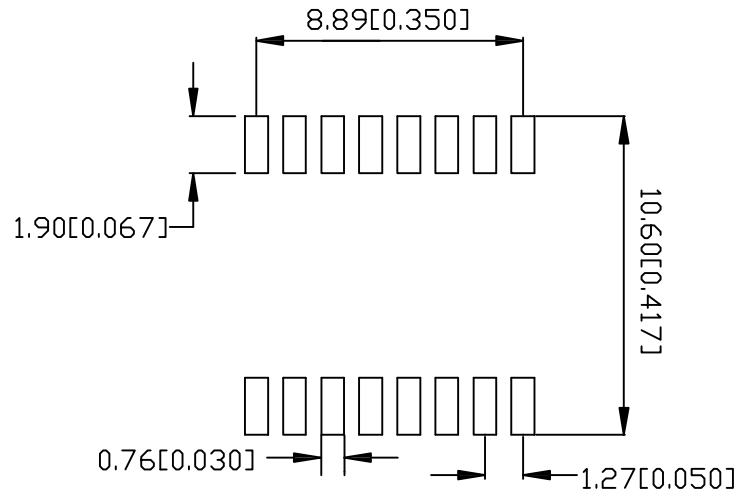
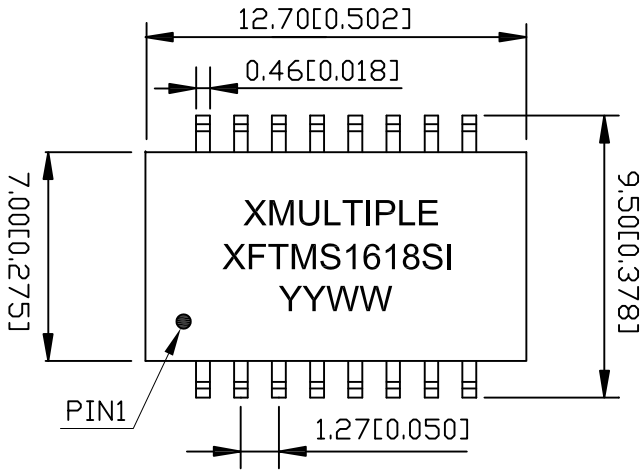


REV.	CHANGGE DESCRIPTION	DATE
01	New Issue	2011-8-23

1. MECHANICAL DIMENSIONS :



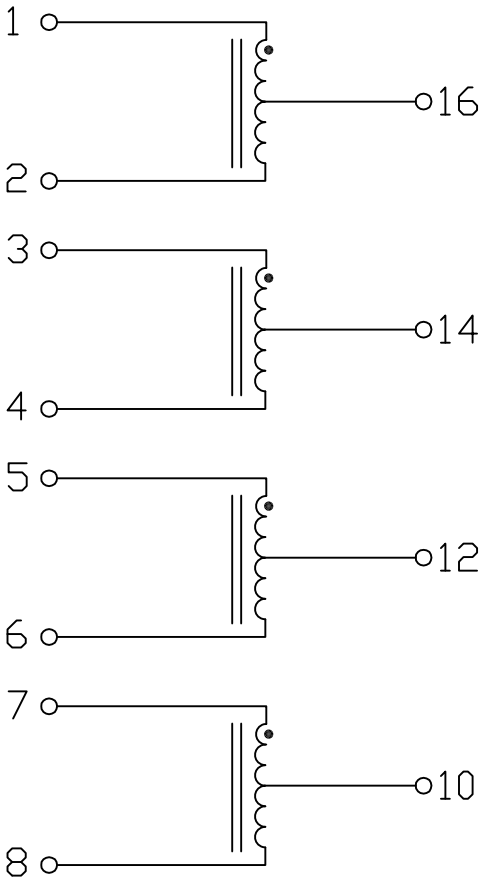
NOTE.DIMENSIONS : MM(INCHES)/ UNLESS OTHERWISE SPECIFIED ALL TOLERANCES ARE ±0.25(0.010).

RoHS Compliant

XMULTIPLE TECHNOLOGIES, INC.	A4 SIZE	XMULTIPLE PART NO.: XF-TMS1618SI	VENDOR PART NO.:		Drawn:	Rita
					Designed:	Evan
THESE DRAWINGS AND SPECIFICATIONS ARE THE PROPERTY OF XMULTIPLE TECHNOLOGIES, INC. AND SHALL NOT BE REPRODUCED OR USED AS THE BASIS FOR THE MANUFACTURE OR SELL OF APPARATUSES OR DEVICES WITHOUT PERMISSION.	THIRD ANGLE PROJECTION	DESCRIPTION: 10/100 BASE-T TRANSFORMER MODULES	UNIT	mm[inch]	USED ON	Approved: Paul Li
			SHEET	1 OF 2	REV.	

REV.	CHANGGE DESCRIPTION	DATE
01	New Issue	2011-8-23

2. SCHEMATIC:



3. ELECTRICAL CHARACTERISTICS :

- TEST NOTES:(25°±5°C)
- LX:(100KHz, 0.1V,8mA, DC Bias)
PINS:(1,2)×(3,4)×(5,6)×(7,8)=350uH MINIMUM
 - DCR: 100%
PINS:(1,2)×(3,4)×(5,6)×(7,8)=0.9Ω MAXIMUM
 - OPERATING TEMPERATURE: -40°C TO +85°C

RoHS Compliant

XMULTIPLE TECHNOLOGIES, INC.	A4 SIZE	XMULTIPLE PART NO.: XF-TMS1618SI	VENDOR PART NO.:		Drawn:	Rita
					Designed:	Evan
THESE DRAWINGS AND SPECIFICATIONS ARE THE PROPERTY OF XMULTIPLE TECHNOLOGIES, INC. AND SHALL NOT BE REPRODUCED OR USED AS THE BASIS FOR THE MANUFACTURE OR SELL OF APPARATUSSES OR DEVICES WITHOUT PERMISSION.	THIRD ANGLE PROJECTION	DESCRIPTION: 10/100 BASE-T TRANSFORMER MODULES	UNIT	mm[inch]	USED ON	Approved: Paul Li
			SHEET	2 OF 2	REV.	