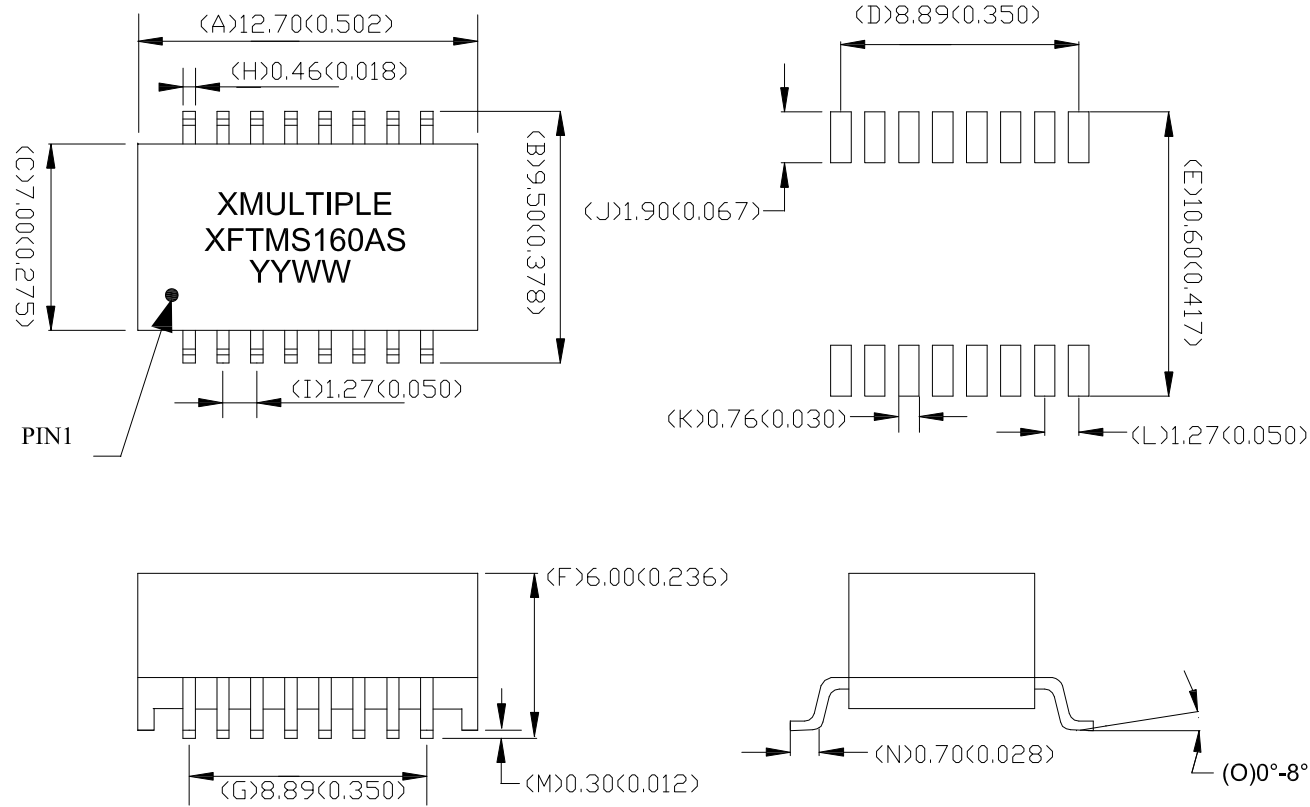


1. MECHANICAL DIMENSIONS :

REV.	CHANGGE DESCRIPTION	DATE
01	New Issue	2011-1-12

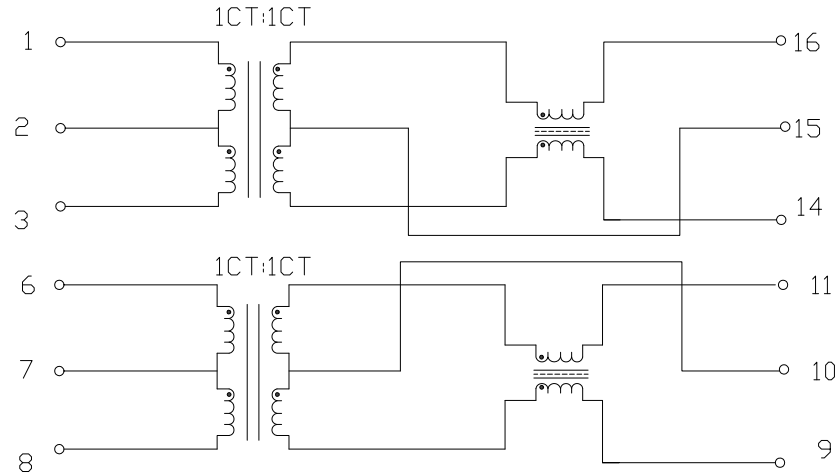


RoHS Compliant

XMULTIPLE TECHNOLOGIES, INC.	A4 SIZE	XMULTIPLE PART NO.: XF-TMS160AS	VENDOR PART NO.:				Drawn:	Chen lan	
							Designed:	Evan	
THESE DRAWINGS AND SPECIFICATIONS ARE THE PROPERTY OF XMULTIPLE TECHNOLOGIES, INC. AND SHALL NOT BE REPRODUCED OR USED AS THE BASIS FOR THE MANUFACTURE OR SELL OF APPARATUSES OR DEVICES WITHOUT PERMISSION.	THIRD ANGLE PROJECTION	DESCRIPTION: 10/100 BASE-T TRANSFORMER MODULES	UNIT	mm[inch]	USED ON	REV.	01	Checked:	Paul Li
			SHEET	1	OF			2	Approved:

REV.	CHANGGE DESCRIPTION	DATE
01	New Issue	2011-1-12

2. SCHEMATIC:



3. ELECTRICAL CHARACTERISTICS :

TEST NOTES:(25°±5°C)

- TR:(100KHz,0.1V)
PINS:(1,3):(16,14)=1:1±3%;(6,8):(11,9)=1:1±3%
- LX:(100KHz,100mV,8mA, DC Bias)
PINS:(1,3),(6,8)=350uH MINIMUM
- DCR
PINS:(16,14),(11,9),=0.9Ω MAXIMUM
- HIPOT:
PINS:(1,2,3)TO PINS:(16,15,14)=1500VAC FOR 60 SECONDS
PINS:(6,7,8)TO PINS:(11,10,9)=1500VAC FOR 60 SECONDS
- INSERTION LOSS:
-11dB MAXIMUM AT 1MHz TO 100MHz
- RETURN LOSS:
-18dB MINIMUM AT 1MHz TO 30MHz
-14dB MINIMUM AT 40MHz
-13dB MINIMUM AT 50MHz
-12dB MINIMUM AT 60MHz TO 80MHz
- CROSS TALK:
-45dB MINIMUM AT 1MHz TO 30MHz
-35dB MINIMUM AT 60MHz TO 100MHz
- COMMON TO COMMON MODE REJECTION:
-40dB MINIMUM AT 1MHz TO 30MHz
-35dB MINIMUM AT 60MHz
-30dB MINIMUM AT 80MHz TO 100MHz

RoHS Compliant

XMULTIPLE TECHNOLOGIES, INC.	A4 SIZE	XMULTIPLE PART NO.: XF-TMS160AS	VENDOR PART NO.:				Drawn:	Chen lan
							Designed:	Evan
THESE DRAWINGS AND SPECIFICATIONS ARE THE PROPERTY OF XMULTIPLE TECHNOLOGIES, INC. AND SHALL NOT BE REPRODUCED OR USED AS THE BASIS FOR THE MANUFACTURE OR SELL OF APPARATUSES OR DEVICES WITHOUT PERMISSION.	THIRD ANGLE PROJECTION	DESCRIPTION: 10/100 BASE-T TRANSFORMER MODULES	UNIT	mm[inch]	USED ON	Checked:	Paul Li	
			SHEET	2	OF 2			REV. 01