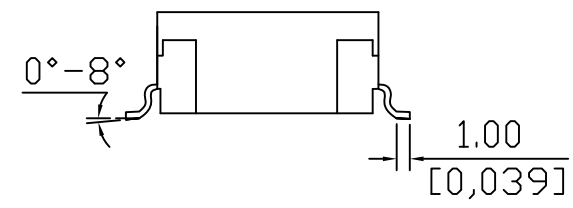
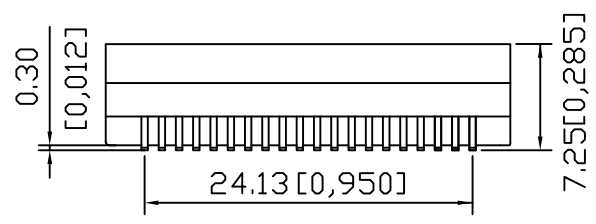
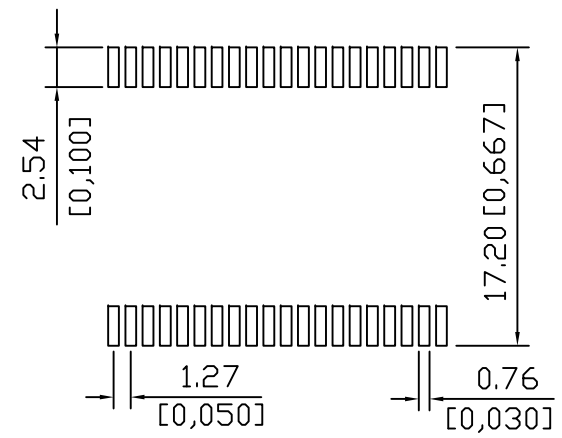
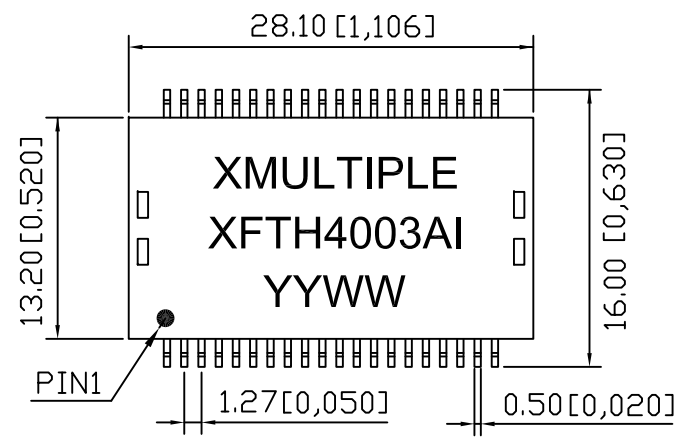


REV.	CHANGGE DESCRIPTION	DATE
01	New Issue	2011-9-1

1. MECHANICAL DIMENSIONS :



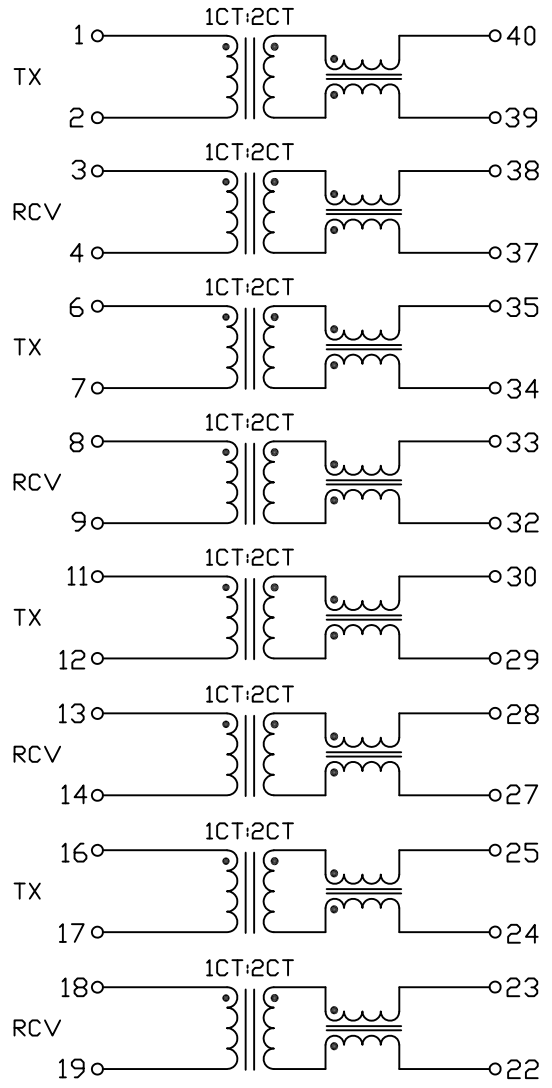
RoHS Compliant

NOTE. DIMENSIONS:MM(INCHES)/UNLESS OTHERWISE SPECIFIED ALL TOLERANCES ARE ±0.25(0.010).

XMULTIPLE TECHNOLOGIES, INC.	A4 SIZE	XMULTIPLE PART NO.: XF-TH4003AI	VENDOR PART NO.:				Drawn:	Rita
							Designed:	Evan
THESE DRAWINGS AND SPECIFICATIONS ARE THE PROPERTY OF XMULTIPLE TECHNOLOGIES, INC. AND SHALL NOT BE REPRODUCED OR USED AS THE BASIS FOR THE MANUFACTURE OR SELL OF APPARATUSES OR DEVICES WITHOUT PERMISSION.	THIRD ANGLE PROJECTION	DESCRIPTION: T1/CEPT/ISDN-PRI Transformer	UNIT	mm[Inch]	USED ON	Approved:	Paul Li	
			SHEET	1	OF			2

REV.	CHANGGE DESCRIPTION	DATE
01	New Issue	2011-9-1

2. SCHEMATIC:



3. ELECTRICAL CHARACTERISTICS :

TEST NOTES:(25°±5°C)

- TR:(100KHz, 50mV); 100%
 PINS:(1,2):(40,39)=1:2±3%;(3,4):(38,37)=1:2±3%
 PINS:(6,7):(35,34)=1:2±3%;(8,9):(33,32)=1:2±3%
 PINS:(11,12):(30,29)=1:2±3%;(13,14):(28,27)=1:2±3%
 PINS:(16,17):(25,24)=1:2±3%;(18,19):(23,22)=1:2±3%
- LX:(100KHz, 50mV)
 PINS:(1,2)(3,4)(6,7)(8,9)(11,12)(13,14)(16,17)(18,19)=1.5mH Typ
- L.L:(100KHz, 50mV)
 PINS:(1,2)(short40,39);(3,4)(short38,37)=0.5uH Max
 PINS:(6,7)(short35,34);(8,9)(short33,32)=0.5uH Max
 PINS:(11,12)(short30,29);(13,14)(short28,27)=0.5uH Max
 PINS:(16,17)(short25,24);(18,19)(short23,22)=0.5uH Max
- Cw/w:(100KHz, 50mV)
 PINS:(1,2)TD(40,39);(3,4)TD(38,37)=35pF MAX
 PINS:(6,8)TD(35,34);(8,9)TD(33,32)=35pF MAX
 PINS:(11,12)TD(30,29);(13,14)TD(28,27)=35pF MAX
 PINS:(16,17)TD(25,24);(18,19)TD(23,22)=35pF MAX
- DCR; 100% (Pri)
 PINS:(1,2)(3,4)(6,7)(8,9)(11,12)(13,14)(16,17)(18,19)=0.8Ω MAX
- HIPDT; 100%
 PINS:(1,2)TD(40,39);(3,4)TD(38,37)=1500VAC FOR 60 SECONDS
 PINS:(6,7)TD(35,34);(8,9)TD(33,32)=1500VAC FOR 60 SECONDS
 PINS:(11,12)TD(30,29);(13,14)TD(28,27)=1500VAC FOR 60 SECONDS
 PINS:(16,17)TD(25,24);(18,19)TD(23,22)=1500VAC FOR 60 SECONDS
- OPERATING TEMPERATURE: -40°C TD +85°C

RoHS Compliant

A
B
C

A
B
C

XMULTIPLE TECHNOLOGIES, INC.	A4 SIZE	XMULTIPLE PART NO.: XF-TH4003AI	VENDOR PART NO.:				Drawn:	Rita	
							Designed:	Evan	
THESE DRAWINGS AND SPECIFICATIONS ARE THE PROPERTY OF XMULTIPLE TECHNOLOGIES, INC. AND SHALL NOT BE REPRODUCED OR USED AS THE BASIS FOR THE MANUFACTURE OR SELL OF APPARATUSSES OR DEVICES WITHOUT PERMISSION.	THIRD ANGLE PROJECTION	DESCRIPTION: T1/CEPT/ISDN-PRI Transformer	UNIT	mm[inch]	USED ON	REV.	01	Approved:	Paul Li
			SHEET	2	OF			2	Date: