

T3/DS3/E3/STS-1 ISOLATION TRANSFORMERS

XF-PMT-329

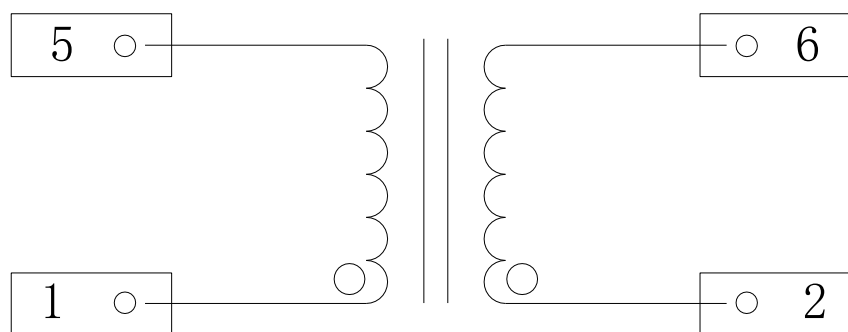
Page : 1/2

- Through-Hole or SMD Packages
- Design for High Performance with T3/DS3/E3/STS-1 Links
- Pulse templates of CCITT G.703 & ATT T.A.34 to be met
- RoHS compliant.

Electrical Specifications @ 25°C					
Part Number	Turns Ratio (±2%)	Inductance OCL @40uH min 100KHz 0.1V	PCI Inductance	Interwinding Capacitance:	Isolation HI-POT
XF-PMT-329	1:1	Leakage Inductance @0.1uH Max 100KHz 0.1B	40 @ +25%	@5PF Type 100KHz 0.1V	@2000VAC 1mA 1S

* Operating temperature range: 0°C to +70°C. Storage temperature range: -25°C to +125°C.

SCHEMATIC

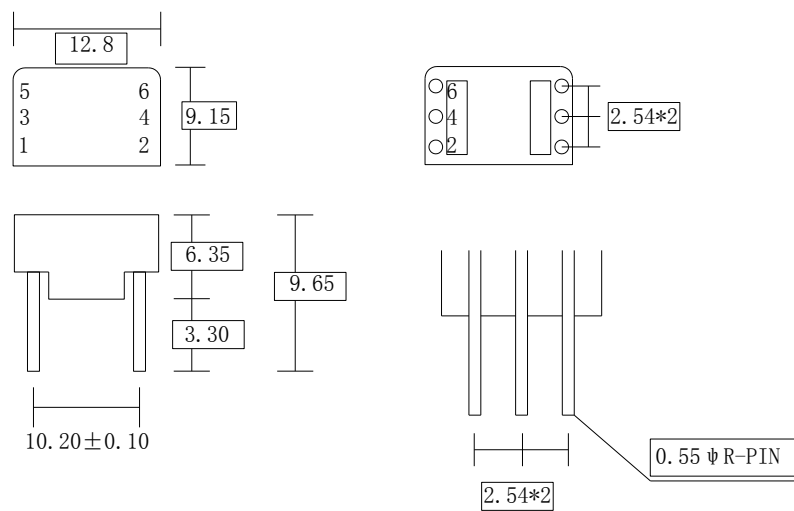


T3/DS3/E3/STS-1 ISOLATION TRANSFORMERS

XF-PMT-329

Page : 2/2

MECHANICAL



Units: mm.

Tolerance: ± 0.25 unless specified otherwise.