

1000 BASE-T Magnetics Modules with PoE* Option MODEL NO.: IH-179(Bottom epoxy)

FEATURE:

RoHS Compliant

RoHS peak solder rating 260°C/ 3~5 Sec

Do not use material and use that the prohibition that SS-00259 stipulates

Designed to meet IR requirement

Meet IEEE802.3af with 350 mA current capability.

Operating temp. : 0°C~ +80°C

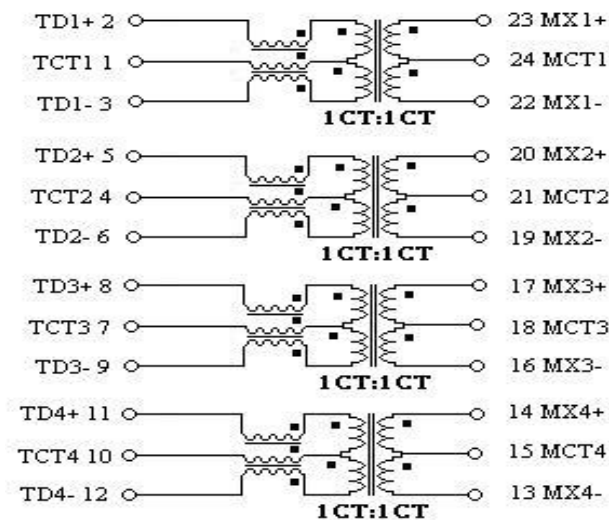
Specifications @ 25°C

OCL : 350 uH Min @ 8mA (100KHz, 100mV)

MSL=2

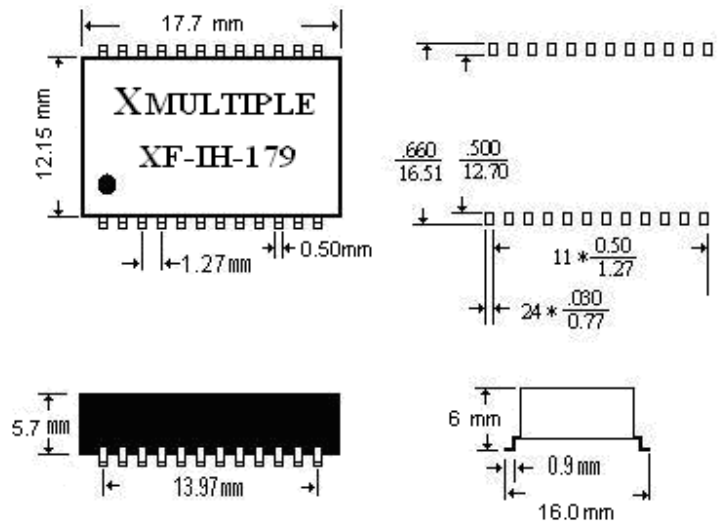
Part Number	Insertion Loss (dB Max) 1-125MHz	Return loss (dB MIN @100Ω) 1~100 MHz						Cross talk (dB MIN) 1~100 MHz			DCMR (dB MIN) 1~100 MHz			Hi pot VAC
		1-30	40	50	60	80	100 MHz	30	60	100 MHz	30	60	100MHz	
IH-179	-1.5	-18	-16	-14.5	-12.5	-10	-8.5	-45	-40	-35	-43	-37	-33	1500

SCHEMATICS:

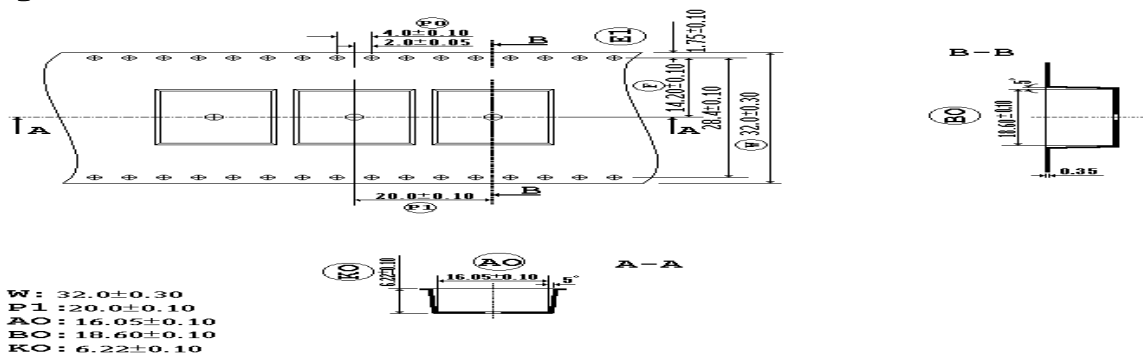


DIMENSION: mm

TOLERANCE:±0.25



Packing :



MODEL NO: IH-179

Solder Reflow profile for Lead-Free packages.

Package Peak Reflow Temperatures

Classification Reflow Profiles

Profile Feature	Lead-Free Assembly	
Average ramp-up rate(T_L to T_P)	3°C / Second Max.	
Preheat		
Temperature Min.(T_s min.)	150 °C	
Temperature Max.(T_s max.)	200 °C	
Time (min to max) (t_s)	60-180 sec	
T_s max. to T_L Ramp-up Rate	3°C / Second Max.	
Time maintained above Temperature (T_L) Time (t_L)	217 °C 60-150 sec	
Peak Temperature (T_p)	260 +0 / -5 °C	250 +0 / -5 °C
Time within 5 °C of actual peak Temp.	3 to 5 Sec	20 to 40 Sec
Ramp-down	6°C / Second Max.	
Time 25 °C to Peak Temperature	8 minutes Max.	

Profile

