

XF Transformer

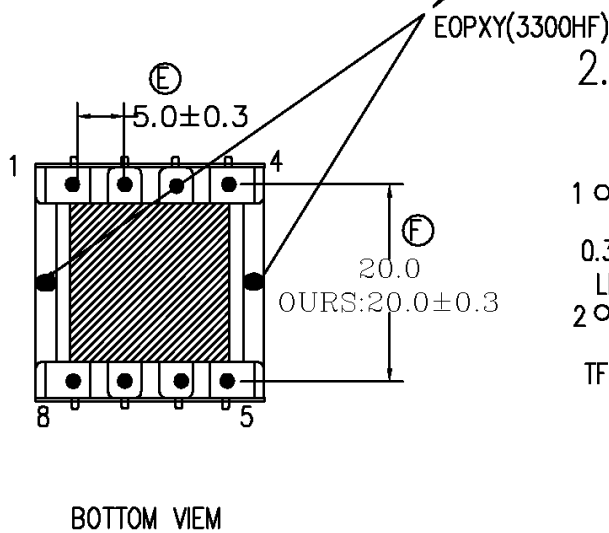
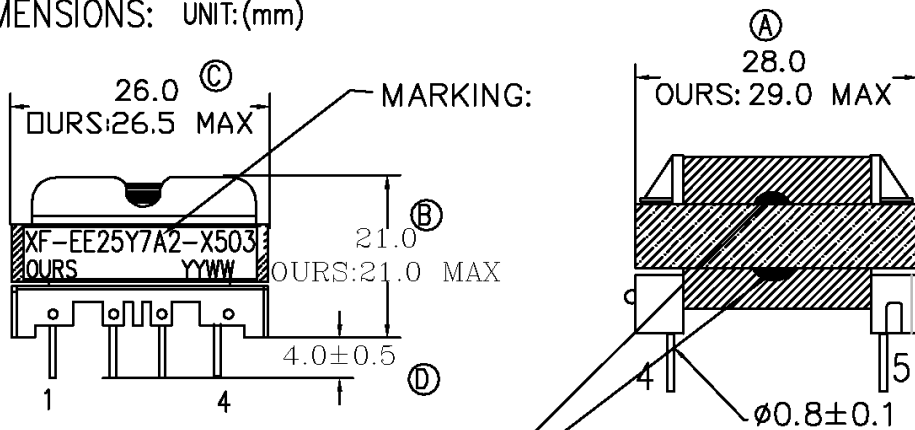
XF-EE25Y7A2-X503

Page : 1/3

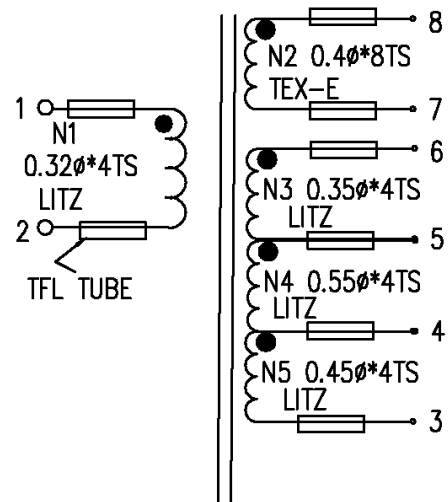
- XF Transformer Component Product Line
- RoHS compliant.

XF EE25Y7A2-X503 Product Sheet

1. DIMENSIONS: UNIT: (mm)



2. SCHEMATIC:

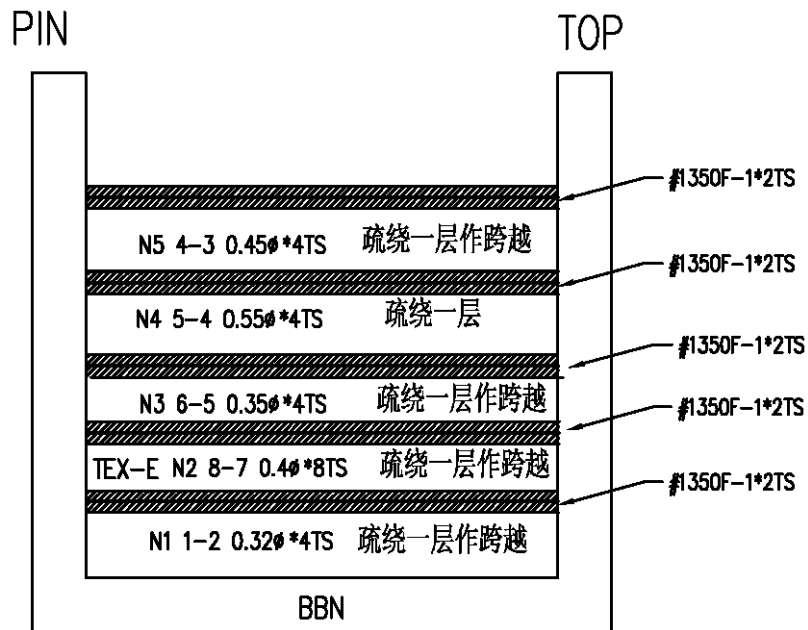


XF Transformer

XF-EE25Y7A2-X503

Page : 2/3

XF EE25Y7A2-X503 PinOut



XF Transformer

XF-EE25Y7A2-X503

Page : 3/3

XF EE25Y7A2-X503 Electrical

| 3.ELECTRICAL CHARACTERISTICS: | | | | | | |
|-------------------------------|---------------|---|-----------------|-------------------------------------|-------------------|------------------|
| ITEM | PARAMETER | SYMBOLS AND CONDITIONS | RESULT OF RANGE | | UNIT | TEST INSTRUMENTS |
| | | | YOURS | OURS | | |
| 1 | INDUCTANCE | 1-2 @500KHZ 1V | 25 MIN | | uH | #HP4284L |
| 2 | DC RESISTANCE | 1-2 6-3 8-7 @25°C | | 0.044±15% 0.084±15% 0.051±15% | OHM OHM OHM | #502A |
| 3 | HI-POT | 1-6.8 @2000VAC 5mA 1SEC 50HZ 6-8;1.6.8-CORE @1500VAC 5mA 1SEC 50HZ | | | | #9301S |
| 4 | T/S | 1-2 8-7 20KHZ 1V NP: 6-3=12TS | | 4±0.2 8±0.2 | TS TS | #310 |
| 5 | | | | | | |
| 6 | | | | | | |