

XF-TGD12XXD

■ Compliant With IEEE 802.3 standards including Baseline Wander Compensation specification of 350uH OCL When biased at 8mA from 0°C to 70°C

■ Single Channel Interface (With Various Turns Ratio) For 10/100 Mbps Ethernet Applications

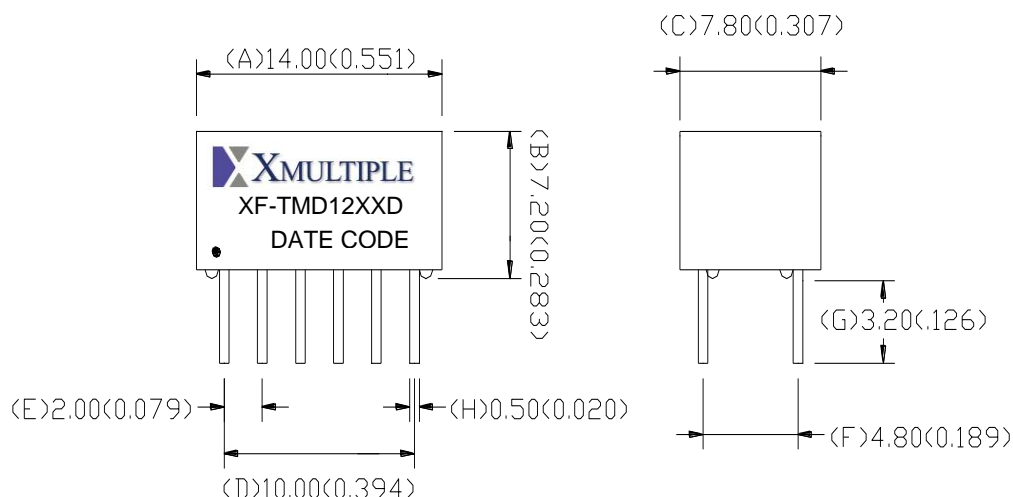
■ For RoHS Part Add Suffix G.

ELECTRICAL SPECIFICATIONS @ 25°C - Operating Temperature 0°C to +70°C

Part Number	Insertion Loss (dB max)		Return Loss (dB min)				Crosstalk (dB min)			Common Mode Rejection	
	1-100MHz	0.3-30MHz	40MHz	50MHz	60-80MHz	0.3-30MHz	60MHz	80-100MHz	0.3-60MHz	60-100MHz	
XF-TMD1201D	-1.1	-18	-16	-14.5	-12	-40	-35	-30	-42	-35	
XF-TMD1202D	-1.1	-18	-16	-14.5	-12	-40	-35	-30	-42	-35	

MECHANICAL SPECIFICATIONS

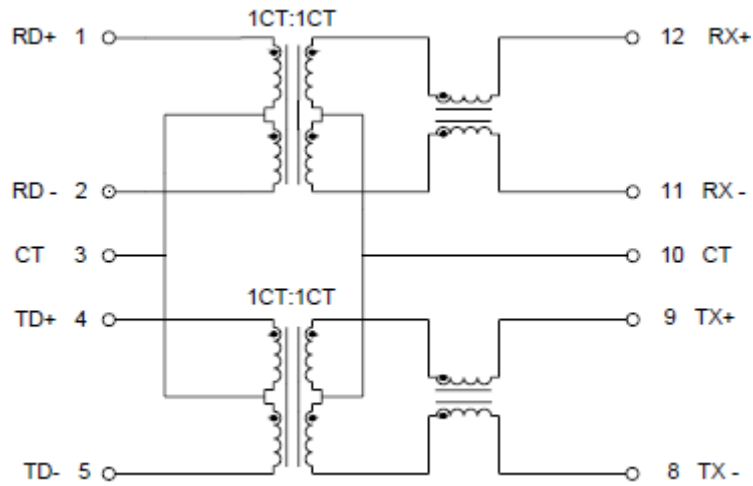
XF-TMD1201D / XF-TMD1202D



XF-TGD12XXD

SCHEMATICS

XF-TMD1201D



XF-TMD1202D

