

XF-TGD24XXD

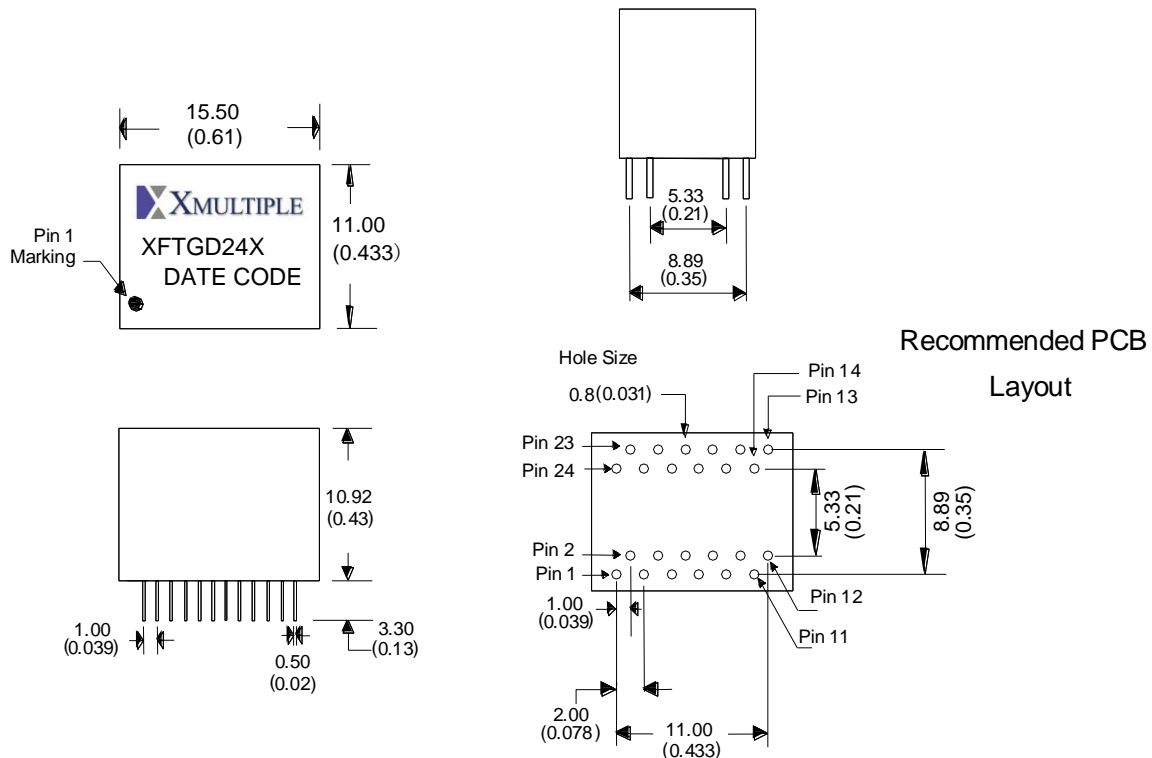
- Designed To Meet IEEE802.3 And ANSI X3.263 Standards
- Compliant With IEEE802.3ab Standard For 1000Base-T.
- Supports 4 Pairs of category 5 UTP Cable
- For ROHS part Add Suffix G

ELECTRICAL SPECIFICATIONS @ 25°C - Operating Temperature 0°C to +70°C

Part Number	Insertion Loss (dB max)		Return Loss (dB min)			CMRR (dB min)			Crosstalk (dB min)		
	1-100Mhz	30MHz	60-80MHz	100MHz	30MHz	60MHz	100MHz	30MHz	60MHz	100MHz	
XF-TGD2401D	-1.1	-18	-12	-10	-40	-35	-30	-40	-35	-30	
XF-TGD2402D	-1.1	-18	-12	-10	-40	-35	-30	-40	-35	-30	

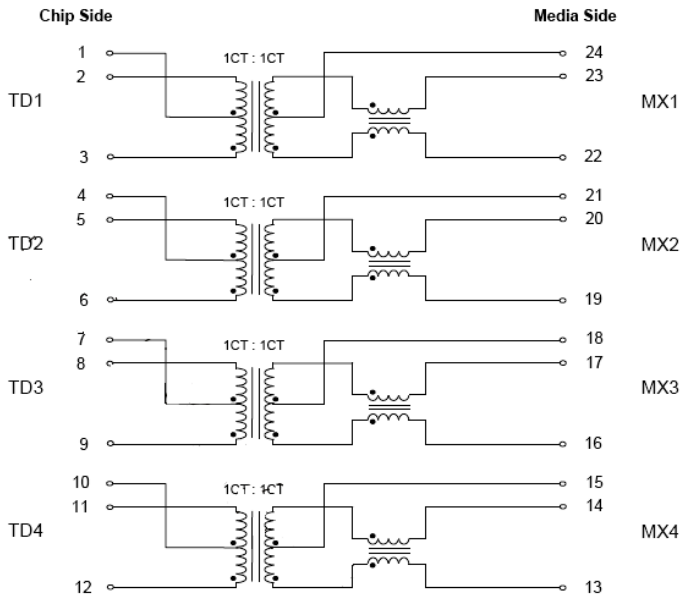
MECHANICAL SPECIFICATIONS

XF-TGD24XXD



SCHEMATICS

XF-TGD2401D



XF-TGD2402D

