

XF-TGD18XXD

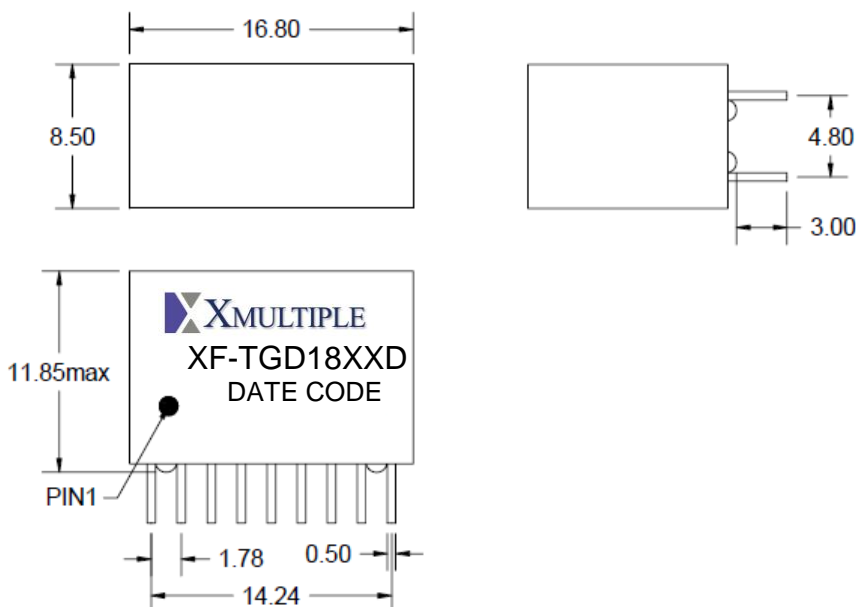
- Compliant With IEEE 802.3 standards including Baseline Wander Compensation specification of 350uH OCL when biased at 8mA from 0° C to 70° C
- Low Profile Surface Mount Packaging Designed For Hi-Temp Reflow Process (250° C peak)
- Single Channel Interface For 100/1000Mbps Ethernet Applications with CMC's tuned to enhance EMC system performance.
- For RoHS Part Add Suffix G.

ELECTRICAL SPECIFICATIONS @ 25°C - Operating Temperature 0°C to +70°C

Part Number	Insertion Loss (dB max)		Return Loss (dB min)			Crosstalk (dB min)			Common Mode Rejection		
	1-100MHz	1-30MHz	40MHz	50MHz	60-80MHz	30MHz	60MHz	100MHz	30MHz	60MHz	100MHz
XF-TGD1801D	-1.0	-18	-14.4	-13.1	-12	-40	-35	-30	-40	-35	-30
XF-TGD1802D	-1.0	-18	-14.4	-13.1	-12	-40	-35	-30	-40	-35	-30

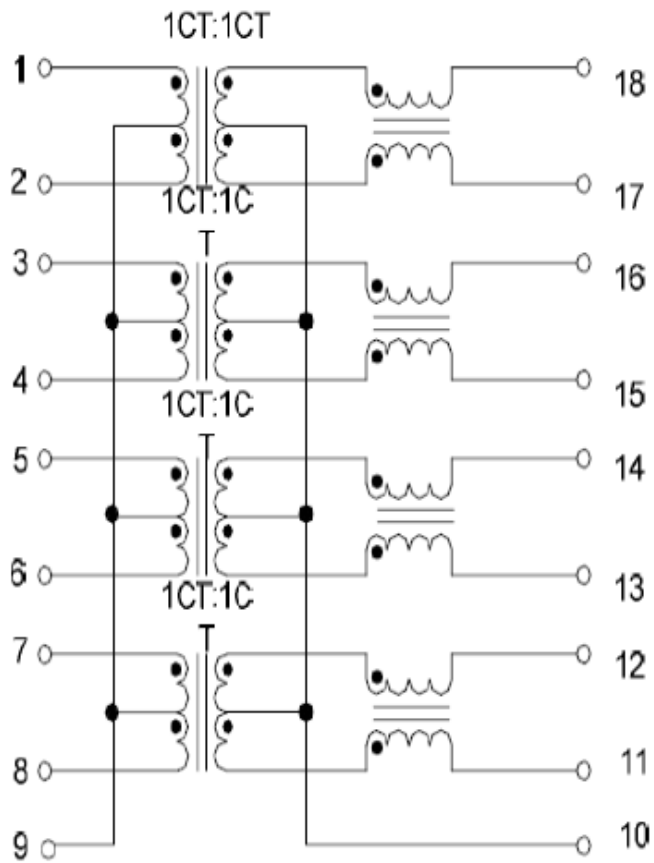
MECHANICAL SPECIFICATIONS

XF-TGD18XXD



SCHEMATICS

XF-TGD1801D



XF-TGD1802D

