

### Material & Finish

**SHELL:**

Steel  
Nickel plated

**PIN CONTACT:**

Phosphor Bronze  
15u Gold plated

**INSULATOR:**

PBT & Glass-fibre reinforced  
UL-94-V0

**CURRENT RATING:**

1 Amp

**DIELECTRIC STRENGTH:**

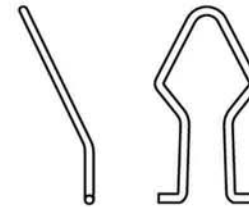
1000V for one minute

**INSULATOR RESISTANCE:**

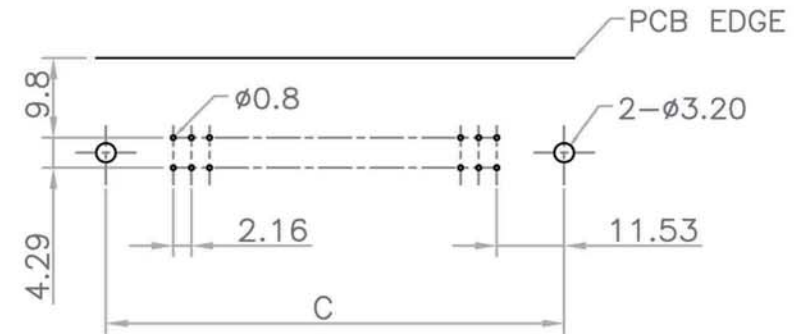
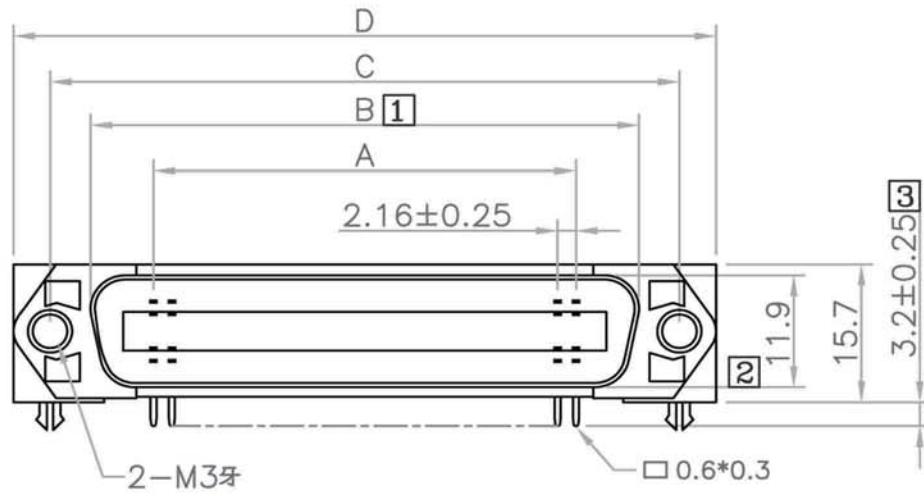
1000MΩ Min. (at 500V DC)

**TEMPERATURE:**

-55° C to +105° C



APPOSE SPRING LATCH \* 2PCS



P.C.B. LAYOUT

| Positions | A     | B    | C    | D    |
|-----------|-------|------|------|------|
| 36        | 36.72 | 48.9 | 59.7 | 67.7 |

**GENERAL TOLERANCE**

|     |       |
|-----|-------|
| X.  | ±0.40 |
| .X  | ±0.30 |
| .XX | ±0.20 |

**SIZE**

A4

**REV.**

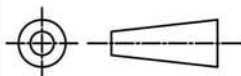
0

**DRAWN**

Sam

**DATE**

Oct/20/11



UNIT:mm

**DESCRIPTION:**

57 PCB R/A female connector  
with spring latch + PCB clips (RoHS)

**PRODUCT NO.**

XDSB-RCL-36SC12LRM3-T01

**FILE NAME:**

**XMULTIPLE**  
Technologies, Inc.