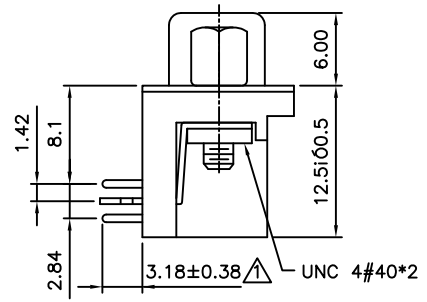


RECOMMENDED P.C.B LAYOUT (TOP VIEW)  
TOLERANCES: ±0.05mm

**SPECIFICATION**  
**MATERIAL**  
 Insulator: Thermal Plastic UL94V-0  
 Contacts: Copper Alloy  
 Shell: Steel  
 Rivet, Boardlock: Copper Alloy  
**CONTACT PLATING**  
 Underplate: 40u" Nickel  
 Contact Area: Gold Flash  
 Solder Tails Area: 100u" Tin/Lead Free  
**ELECTRICAL**  
 Operation Voltage: 250 VAC Max.  
 Current Rating: 3 Amps Max.  
 Contact Resistance: 15 mohms Max.  
 Insulation Resistance: 3000 Mohms Min @ 500 VDC  
 Dielectric Withstanding Voltage: 1000 VAC / Minute  
 Operating Temperature: -55°C To +105°C



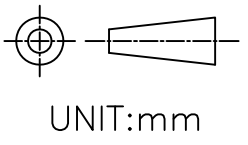
**PARTS DIMENSION TABLE**

parts no.	DIM. a	DIM. b	inner thread
C	4.8	11.8	4#40
E	5.8	12.0	4#40
G	4.8	11.8	M3
H	6.0	13.2	M2.6
I	5.8	11.8	M3
X	4.8	11.8	M2.6
Z	5.8	12.0	M2.6
7	6.0	12.0	4#40
9	6.1	12.0	4#40
19	4.8	11.8	4#40+Washer

UNLESS OTHERWISE SPECIFIED TOLERANCE

ANG.	±5°
0.	±0.5
.0	±0.3
.00	±0.2

<b>SIZE</b>	<b>DRAWN</b>
A4	Sam
<b>REV.</b>	<b>DATE</b>
0	Oct/20/11



**DESCRIPTION:**  
 D-Sub R/A 7.2mm female  
 25p connector (RoHS)

**PRODUCT NO.**  
 XDSB-DRA-25S13GR-T01

**FILE NAME.**

**XMULTIPLE**  
 Technologies, Inc.