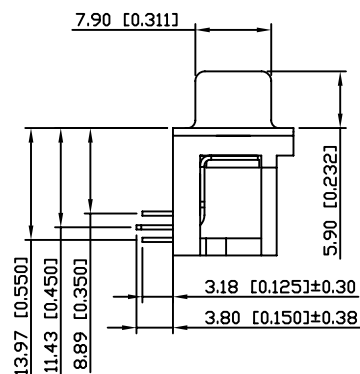
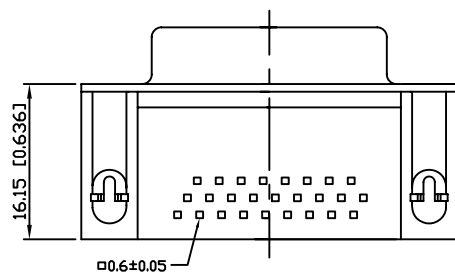
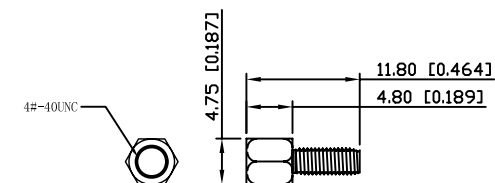


SUGGESTED PCB LAYOUT
(TOP VIEW)
DIMENSIONAL TOLERANCE: .XX ±0.08[0.003]



NOTES:

- ELECTRICAL:
CURRENT RATING: 5AMP
DIELECTRIC WITHSTANDING VOLTAGE:
AC500V MIN(FAR 1 MINUTE)
INSULATION RESISTANCE: 500M OHMS MINKAT 500V DC
CONTACT RESISTANCE: 25M OHMS MAX
OPERATING TEMPERATURE: -55°C TO +105°C.
- MATERIALS:
INSULATOR: PBT+30%G.F, UL94V-0, COLOR-BLACK
CONTACT: BRASS
SHELL: SPCC
- FINISHES:
CONTACT: 30u' GOLD
SHELL: NICKEL
- UNSPECIFIED TOLERANCE: .XX ±0.05[0.002]
.X ±0.20[0.008]

XDSB-1-5-26-3-6-1-02

1: D-SUB SERIAL NUMBER
5: RIGHT ANGLE DIP
PIN No.
SHELL PLATING
3: ALL NI
HOUSING COLOR
1: BLACK
PIN PLATING
6: Au 30u'

RoHS Compliant

		THE INFORMATION AGE		
				XMULTIPLE ASIA 4F, No. 347, Yang Guang St., Neihu, Taipei, Taiwan 11475
THIS DRAWING IS A CONTROLLED DOCUMENT.				DWG NO: XDSB-1-5-26-3-6-1-02
TITLE: HDR FEMALE, 26 Pos Receptacle, Right Angle		DRAWN: TOM		
PART NO: XDSB-1-5-26-3-6-1-02		CHKD: TARA		
	UNIT mm[inch]	SHEET 1 of 1	REV 01	
		DATE: Nov.06,08		