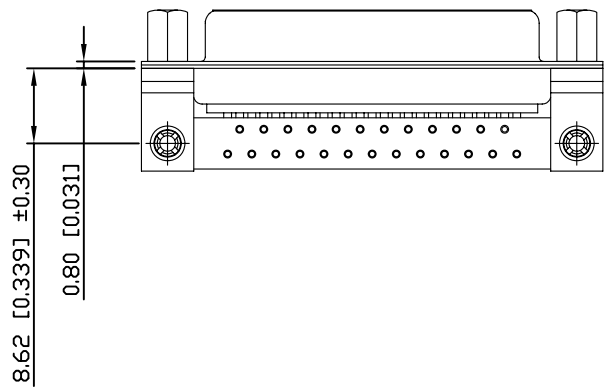


XDSB-1-5-25-7-1-1-02

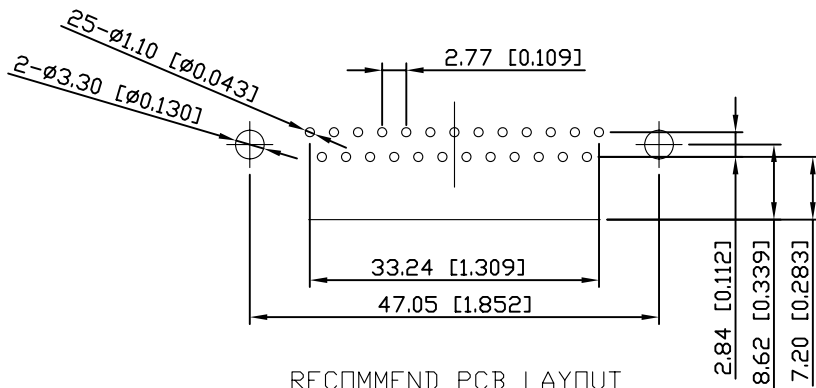
1: D-SUB
5: RIGHT ANGLE DIP
PIN No.
SHELL PLATING
7: ALL TIN

SERIAL NUMBER
HOUSING COLOR
1: BLACK
PIN PLATING
1: GOLD FLASH

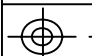
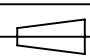


NOTES:

- MATERIALS AND FINISH
SHELL : STEEL MATERIAL, FRONT SHELL TIN FINISHED
BACK SHELL TIN FINISHED
DIMPLES ON PLUG ONLY
INSULATOR : PBT THERMOPLASTIC, 30% GLASS FILLED,
UL 94V-0 RATED, BLACK COLOR
SIGNAL CONTACT : COPPER ALLOY, FULL GOLD FLASH
ALIGNMENT BAR : BAKELITE
- ELECTRICAL CHARACTERISTICS
CONTACT CURRENT RATING : 5.0 AMPS
CONTACT RESISTANCE : 10 MILLIOHMS MAX.
DIELECTRIC WITHSTANDING VOLTAGE : 1000 V AC MIN.
INSULATION RESISTANCE : 5000 MEGOHMS MIN.
- TEMPERATURE RATING: -55°C ~ +125°C
- UNSPECIFIED TOLERANCE: .XX ±0.25[0.010]
.X ±0.30[0.012]



RoHS Compliant

X MULTIPLE		THE INFORMATION AGE	
XMULTIPLE ASIA 4F, No. 347, Yang Guang St., Neihu, Taipei, Taiwan 11475		XMULTIPLE USA 1420 Los Angeles Ave., Suite G, Simi Valley, CA 93065	
THIS DRAWING IS A CONTROLLED DOCUMENT.		G/NO:	
TITLE: DR-25F MACHINE PIN		DWG NO: XDSB-1-5-25-7-1-1-02	
PART NO: XDSB-1-5-25-7-1-1-02		DRAWN: TOM	
 		UNIT mm[inch]	SHEET 1 of 1
		REV 01	CHKD: TARA
			DATE: Nov.03,08