

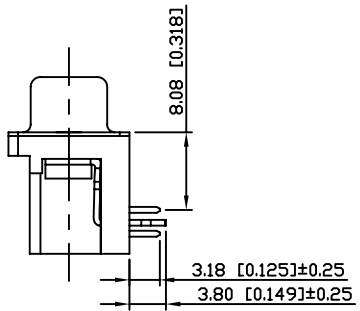
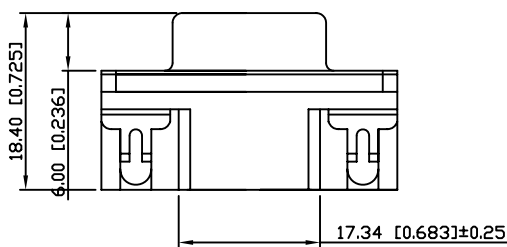
XDSB-1-5-09-3-6-1-01

1: D-SUB
5: RIGHT ANGLE DIP

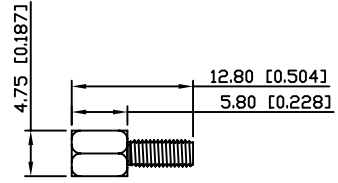
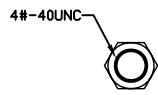
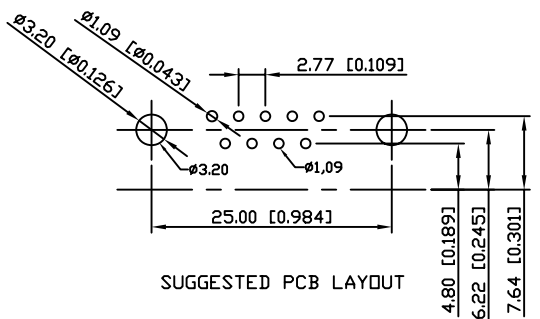
PIN No.
SHELL PLATING
3: ALL NI

PIN PLATING
6: Au 30u"

SERIAL NUMBER
HOUSING COLOR
1: BLACK



- NOTES:
- ELECTRICAL:
CURRENT RATING: 5AMP
INSULATION RESISTANCE: 100MΩ MIN. AT 500VDC
DIELECTRIC STRENGTH: 500V FOR ONE MINUTE
OPERATING TEMPERATURE: -55°C TO +105°C.
 - MATERIALS:
INSULATOR: PBT+30%G.F, UL94V-0, COLOR-BLACK
CONTACT: BRASS
SHELL: STEEL
 - FINISHES:
CONTACT: 30u" GOLD
SHELL: NICKEL
 - UNSPECIFIED TOLERANCE: .XX ±0.05[0.002]
.X ±0.20[0.008]



RoHS Compliant

		THE INFORMATION AGE		
		XMULTIPLE ASIA 4F, No. 347, Yang Guang St., Neihu, Taipei, Taiwan 11475	XMULTIPLE USA 1420 Los Angeles Ave., Suite G, Simi Valley, CA 93065	G/NO:
THIS DRAWING IS A CONTROLLED DOCUMENT.				
TITLE: DR FEMALE, 9 Pos Receptacle, Right Angle				DWG NO: XDSB-1-5-09-3-6-1-01
PART NO: XDSB-1-5-09-3-6-1-01				DRAWN: TOM
			UNIT: mm[inch]	REV: 01
			SHEET: 1 of 1	DATE: Nov.10,08
				CHKD: TARA