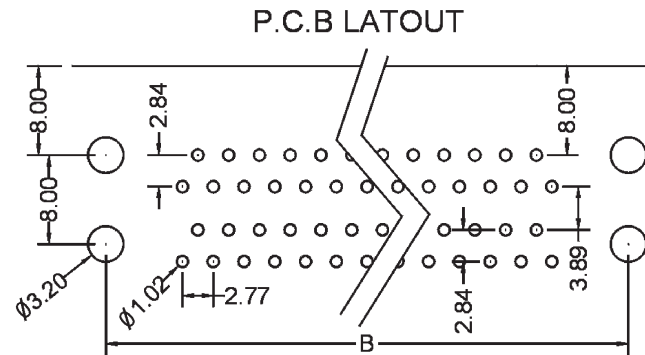
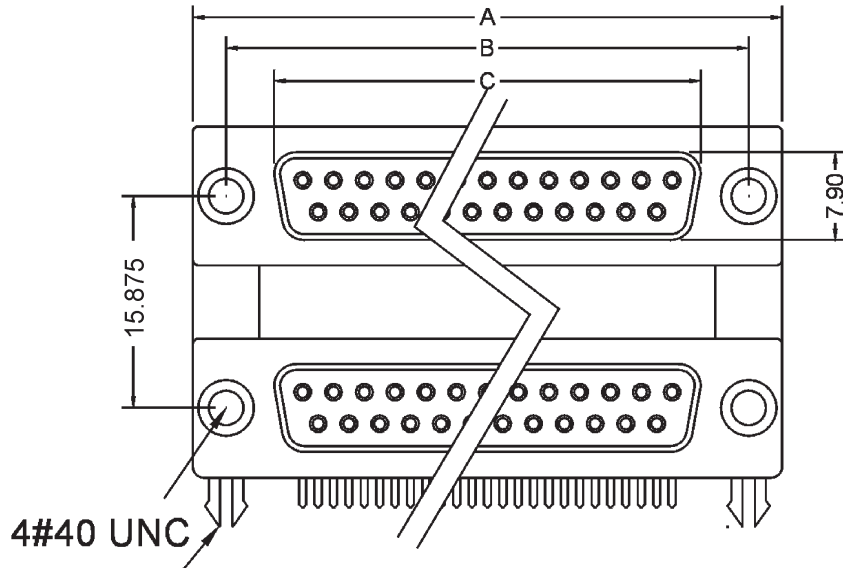


REV.	ECN NO.	DATE
A	Released	11/02/2005
B	0505/10	05/05/2010
C	0603/11	06/03/2011



Specifications:

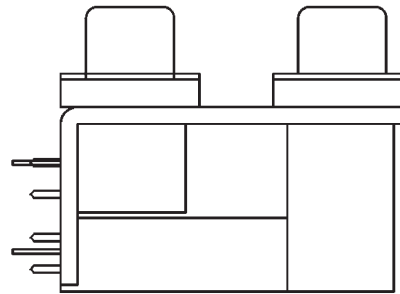
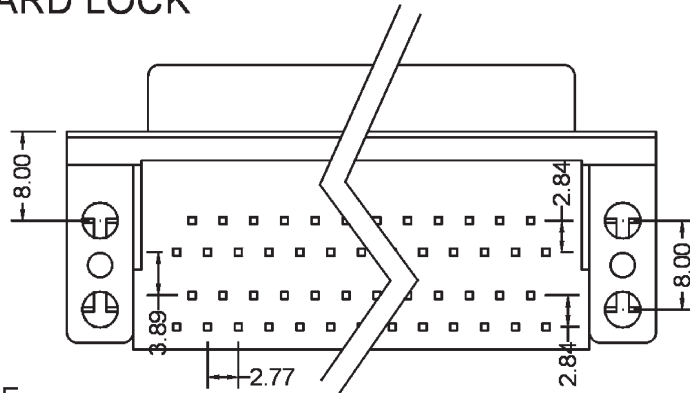
Materials:

- * Contact: Brass
- * Housing: PBT+G.F. (UL94V-0)

Electrical:

- * Contact Resistance: 30mΩ Max at DC 100 mA
- * Insulator Resistance: 1000MΩ Min. at 500V DC
- * Current Rating: 1 AMP max.
- * Operating Temperature: -55°C ~ + 105°C

BOARD LOCK



How to Order:

XDSB - DB08 - Rx/Rx - x - 1 - B - 1 - 0

Contact Type _____ Plating
R9 S:Sel.Gold
09,15,25,37,50 S15:Sel.15u"gold
(P:Plug R:Receptacle) G:Gold Flash
G15:15u"gold

Contact Type _____
P9
09,15,25,37,50

FEMALE

Pin no. \ Dim	A	B	C
09S	30.81	24.99	16.33
15S	39.20	33.32	24.66
25S	53.04	47.04	38.38
37S	69.32	63.50	54.84

RoHS Compliant

Scale		Drawn by	ANGLIA	XMULTIPLE
Unit	mm	Checked by	Kevin	
Tolerance		Sheet	1 of 1	
.X ± 0.30		Projection		
.XX ± 0.20				
.XXX ± 0.10				
ANG. =				Name:D-SUB, Stacked, PCB mount female, right angle,15.875mm
		Part number	XDSB-DB08-Rx/Rx-x-1-B-1-0	
		Drawing no.	DB08-Rx/Rx-x-1-B-1-0	