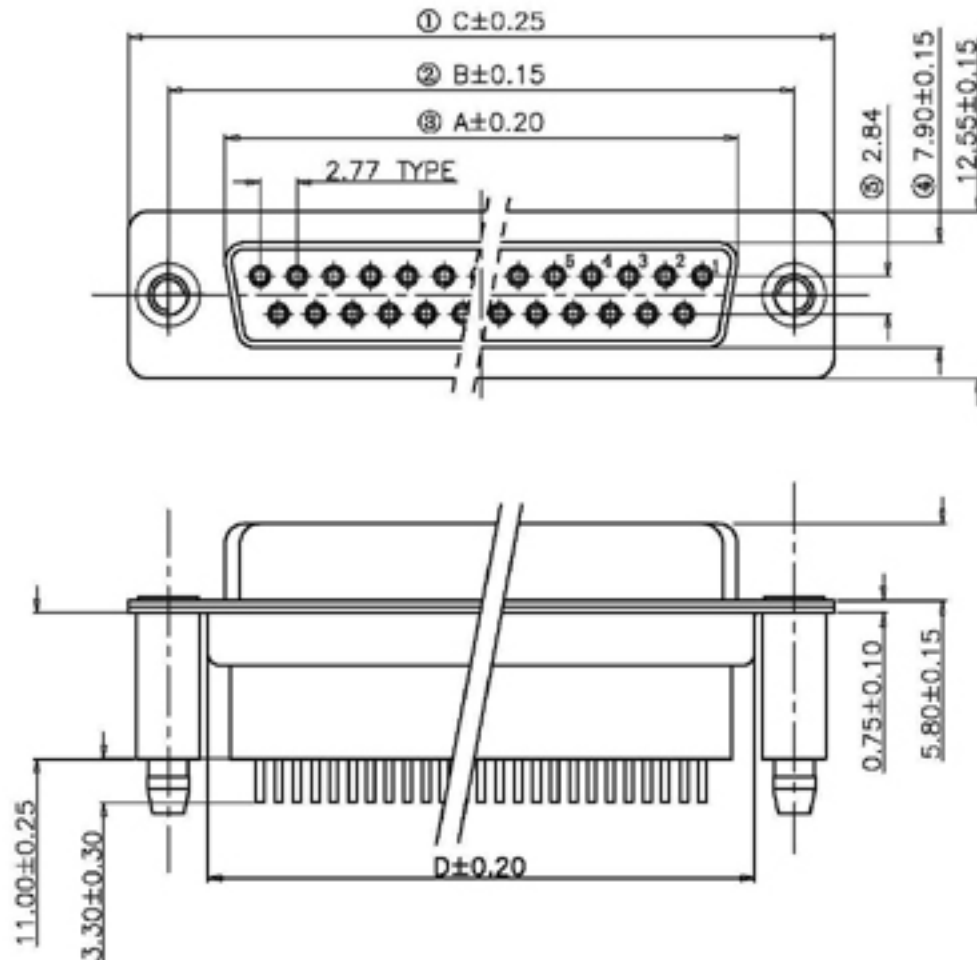


REV.	DESCRIPTION	DATE	CHANGER
A/0	原始版本		



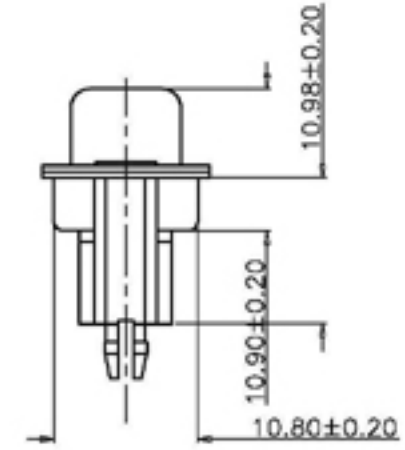
备注:

1. 性能:

额定电压: 250V
 额定电流: 5AMP
 接触阻抗: 20mΩ MAX.
 绝缘阻抗: 1000MΩ MIN. at 500V DC
 耐电压: 500V Per minute
 温度范围: -55C° ~ 105C°

2. 材质:

胶芯: PBT+30% G.F (UL94V-0)
 端子: 青铜/磷铜
 铁壳: 铜镀锡/镀锌



POS.	A	B	C	D	E
9	16.25	25.00	30.80	19.20	15.60
15	24.65	33.30	39.20	27.70	24.65
25	38.30	47.00	53.00	41.20	37.48
37	54.80	63.50	69.40	57.30	54.50

XMULTIPLE TECHNOLOGIES, INC.

TOLERANCE: X .00.00 XX .00.00 XXX .00.10 X' .00' X' .00.00	DRAWN BY :	DATE :	PART NAME:	
	刘贤敏	2009.04.03	XDIN-HJ-11251-021-DB	
UNIT: mm [inch] SCALE: 1:1 HZ: A4	CHECKED BY:	DATE :	PART NO.	11251-1XXXX
	APPROVED BY:	DATE :	MOLD NO.	
			REMARK	
			DRAW NO.	HJ-11251-022