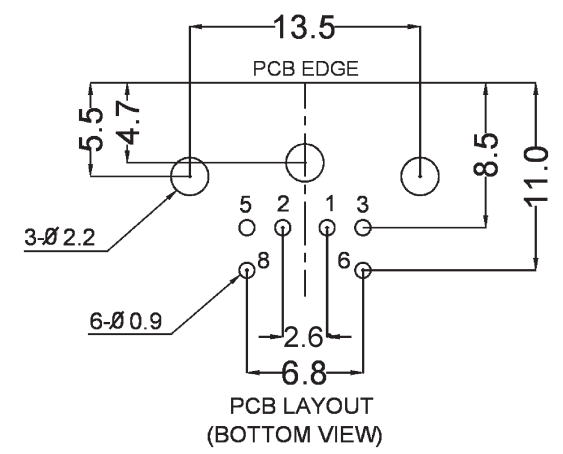
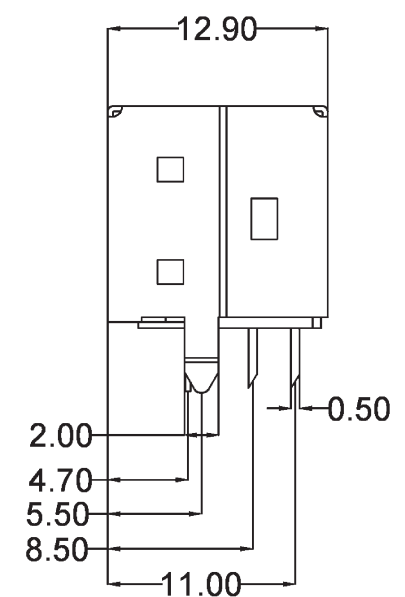
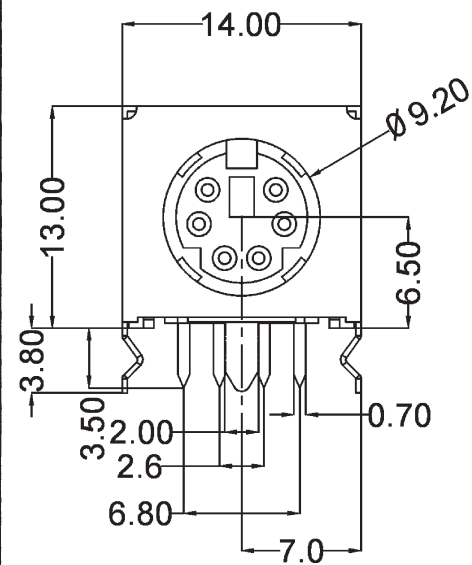


REV.	ECN NO.	DATE
A	Released	12/21/2010



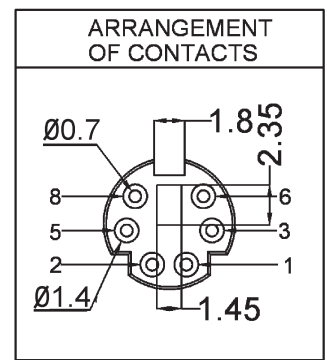
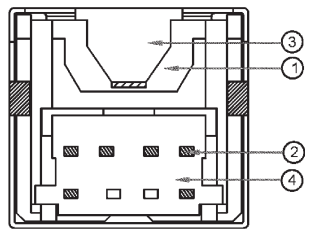
**Specifications:**

**Electrical:**

- \* Contact Resistance: 30mΩ Max
- \* Insulator Resistance: 100MΩ Min. at 500V DC
- \* Voltage rating & Current: DC 12V 2A Max ; AC 100V 1A Max.
- \* Dielectric Voltage: 250V AC for 1 minute R.M.S.
- \* Durability (life test): 100 cycles

**Mechanical:**

- \* Insertion force: 4.0kg max.
- \* Extraction force: 0.9kg Min.



How to Order:

XDIN-MDJ04 -6 - x - K - 0 - 0 - x

Plating (Contact)  
 G: gold flash  
 G15: 15u" gold

Color  
 B: Black  
 E: Green  
 P: Purple

**RoHS Compliant**

4	Bottom cover	1	PBT G.F.		Black
3	Shield	1	Brass	Tin	t=0.3
2	Contact	6	Phosphor Bronze	Gold/Tin	t=0.2
1	Housing	1	PBT G.F.		Black
NO.	Part Name	Qty	Material	Plated	Remark

Scale		Drawn by	ANGLIA
Unit	mm	Checked by	Kevin
Tolerance		Sheet	1 of 1
.X	± 0.25	Projection	
.XX	± 0.13		
.XXX	± 0.05		
ANG.	=		

**XMULTIPLE**

Name: Mini Din Jack, 6 pins  
 Full shielded, with Kink legs

Part number	XDIN-MDJ04-6-x-K-0-0-x
Drawing no.	MDJ04-6-x-K-0-0-x