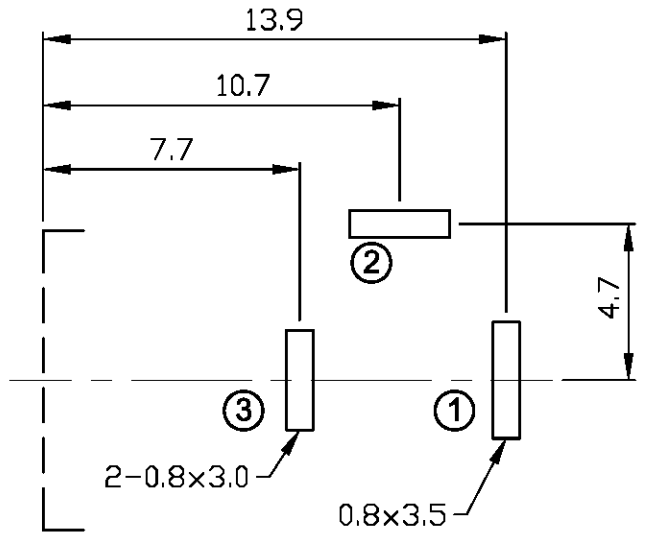
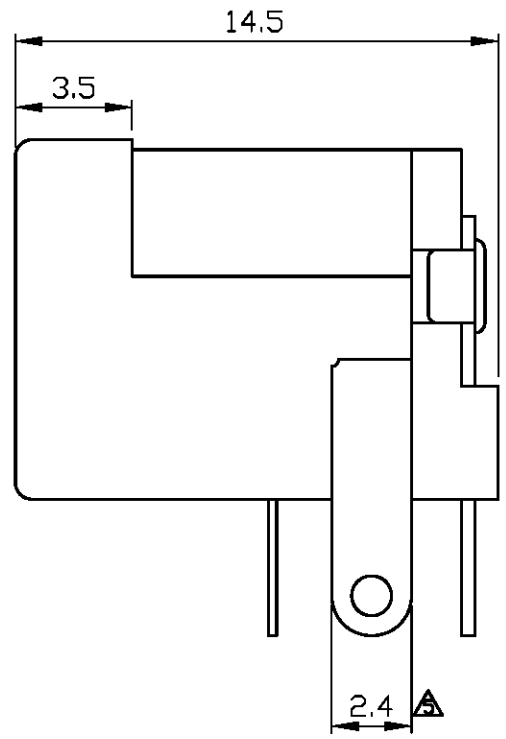
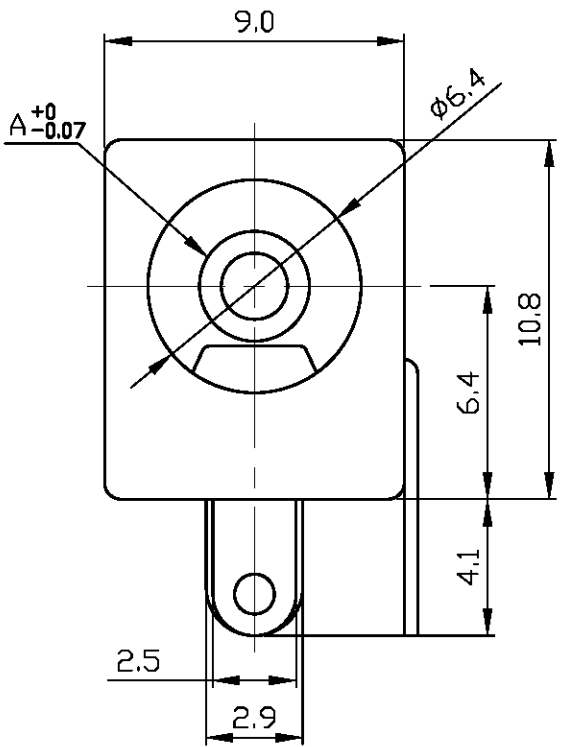
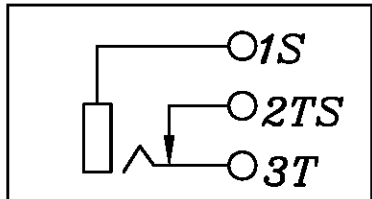
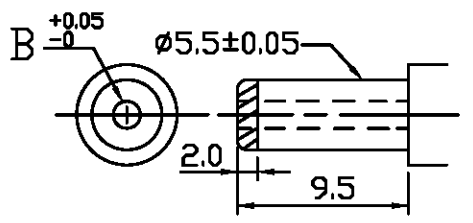


| HISTORY X COUNT | DATE       | ECN NO.    | REV. | REVISION                    | SIGN. |
|-----------------|------------|------------|------|-----------------------------|-------|
| △ x1            | 12/FEB/08' | N200902002 | E    | 變更COVER材質，由PABT改為PABT。      | CHRIS |
| △ x4            | 24/JUN/08' | N200808001 | F    | 1. 增加項目標示。<br>2. 變更COVER材質。 | LEO   |
| △ x1            | 21/APR/11' | N201104004 | G    | 變更COVER材質，由PABT改為PBT。       | CHRIS |



P.C.B LAYOUT(±0.1)  
(BOTTOM VIEW)

PLUG



| P/N         | Dimension |       |
|-------------|-----------|-------|
|             | A         | B     |
| LD-0202-2.0 | ∅2.0      | ∅2.05 |
| LD-0202-2.5 | ∅2.5      | ∅2.55 |

|           |                  |             |                 |   |               |               |
|-----------|------------------|-------------|-----------------|---|---------------|---------------|
| 6         | COVER            | 1           | PBT             | △ |               | BLACK         |
| 5         | HOUSING          | 1           | PBT             |   |               | BLACK         |
| 4         | PIN              | 1           | BRASS           |   | NICKEL        |               |
| 3         | TIP              | 1           | P.B.S           |   | MATTE TIN △   |               |
| 2         | TIP SHUNT        | 1           | BRASS           |   | MATTE TIN △   |               |
| 1         | TERMINAL         | 1           | BRASS           |   | MATTE TIN △   |               |
| <b>NO</b> | <b>PART NAME</b> | <b>Q'TY</b> | <b>MATERIAL</b> |   | <b>PLATED</b> | <b>REMARK</b> |

| Xmultiple Technologies, Inc. |                 |              |                  |                      |                |
|------------------------------|-----------------|--------------|------------------|----------------------|----------------|
| <b>TOLERANCE</b>             | <b>Material</b> |              | <b>PART NAME</b> | <b>DC POWER JACK</b> |                |
| X ±0.5                       |                 |              | <b>PART NO.</b>  | XDGP-LD-0202-2.0     |                |
| XX ±0.3                      | <b>Thicness</b> |              | <b>DATE</b>      | 06/24/09'            | <b>REV:G</b>   |
| X.XX ±0.15                   | <b>Disposal</b> |              | <b>DRAW</b>      | <b>CHECK</b>         | <b>APPROVE</b> |
|                              | <b>UNIT</b>     | <b>SCALE</b> | <b>LEO</b>       | <b>Vicky</b>         | <b>Chris</b>   |
|                              | mm              | 4:1          |                  |                      |                |