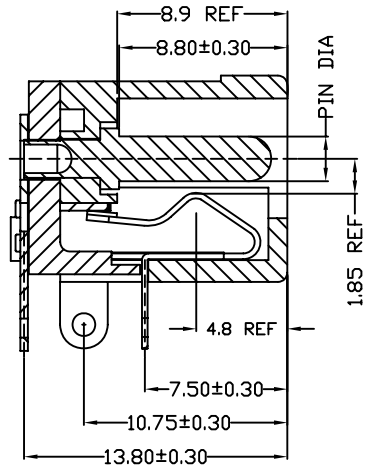
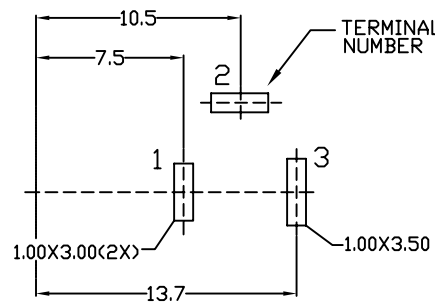


ELECTRICAL CIRCUIT

	3	PIN	TOLER
	2	2.00	±0.05
	1		



A-A' SECTION



RECOMMENDED PCB LAYOUT
(BOTTOM VIEW)

NO.	NAME	MATERIAL	FINISH	Q'TY.	NOTE
6	CENTER PIN	COPPER ALLOY	Nickel plating	1	ø2.0
5	PIN CONTACT	BRASS	TIN plating	1	40T
4	SHUNT TERMINAL	BRASS	TIN plating	1	40T
3	SPRING CONTACT	Phosphor Bronze	TIN plating	1	30T
2	COVER	PBT		1	UL94V-0
1	HOUSING	PBT		1	UL94V-0

RoHS Compliant

UNLESS OTHERWISE SPECIFIED,
DIMENSIONS TOLERANCE ON DECIMALS ±0.3

X MULTIPLE		THE INFORMATION AGE	
<small>XMULTIPLE ASIA 4F, No. 347, Yang Guang St., Neihu, Taipei, Taiwan 11475</small>		<small>XMULTIPLE USA 1420 Los Angeles Ave., Suite G, Simi Valley, CA 93065</small>	
THIS DRAWING IS A CONTROLLED DOCUMENT.		G/NO: DWG NO: XDPC-790FD-3ASI	
TITLE: POWER JACK PC MOUNT 0.08(2.0mm) PIN		DRAWN: TOM	
PART NO: XDPC-790FD-3ASI		CHKD: TARA	
		UNIT mm[inch]	SHEET 1 of 1
		REV 01	DATE: Oct.28,08