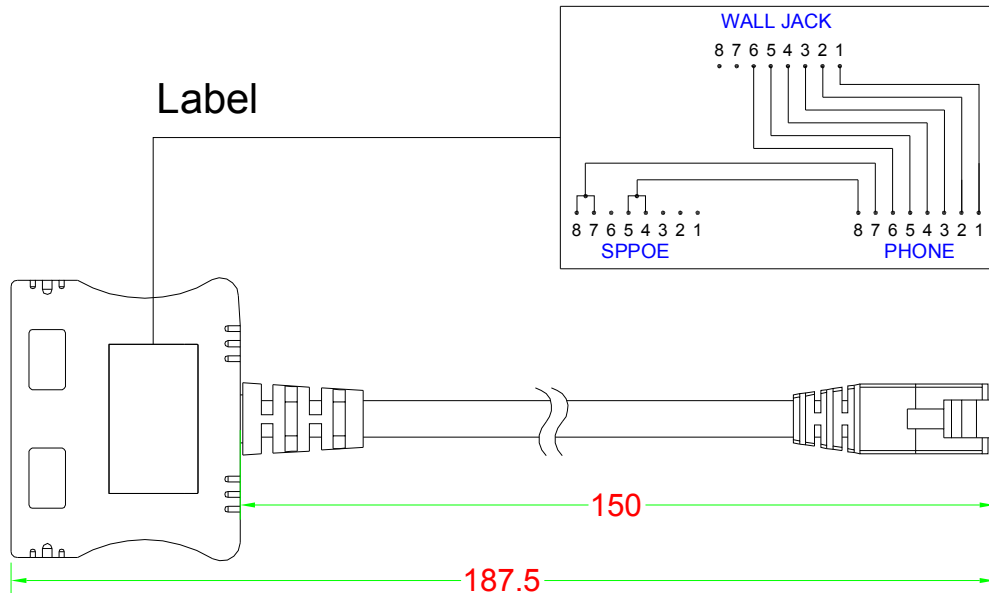
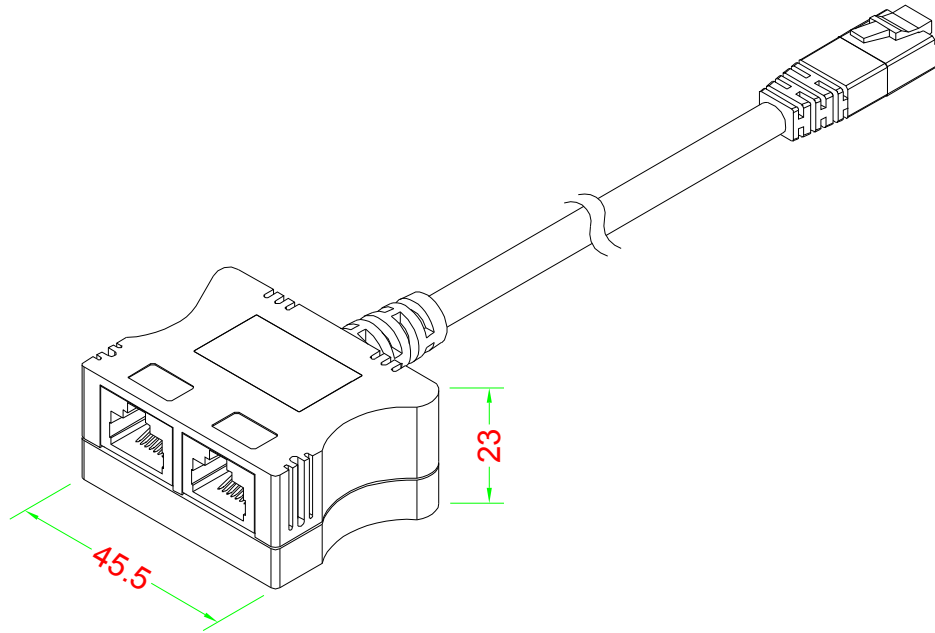


# C5e Y-MOD UTP 30u



## Performance:

Meets C5e EIA/TIA 568B Standard.

## Materials:

Plastic Body : Fireproof ABS UL-94V0  
 Jack : 8P8C 30 micro inches gold plated  
 PCB : FR-4 / UL-94V0  
 IDC Body : Fireproof ABS UL-94V0  
 IDC Pin : Bronze & Tinned  
 Plug : 8P8C 30 micro inches gold plated / UL 94V-2  
 Cable : Copper / PVC  
 Boot : PVC

## Electrical Specifications:

Insulation Resistance : 500M ohms (min.)  
 Contact Resistance : 20m ohms (max.)  
 Current Rating : 1.5 Amps .  
 DC Resistance : 0.1 ohms (max.)  
 Withstanding Voltage : 1000 VAC RMS @ 60Hz / 1 min.

## Mechanical Specifications:

Jack Insertion Cycle : Over 2000 Cycles (min.)  
 Plug Tensility : 18 lbs (max.)  
 Jack Tensility : 30 lbs (min.)  
 Operation Temperature : -40 °C ~ +70 °C (IEC 62321:2008)

DRAW NO:		ITEM NO:	XCAB-TMD-5UA01
	APPR	CUSTOMER:	
UNIT: m/m	DESIGN	DATE:	
SCALE:	Ref. NO:	TOLERANCE:	· ± 1 · X ± 0.2 · XX ± 0.15

**Xmultiple Technologies Inc.**