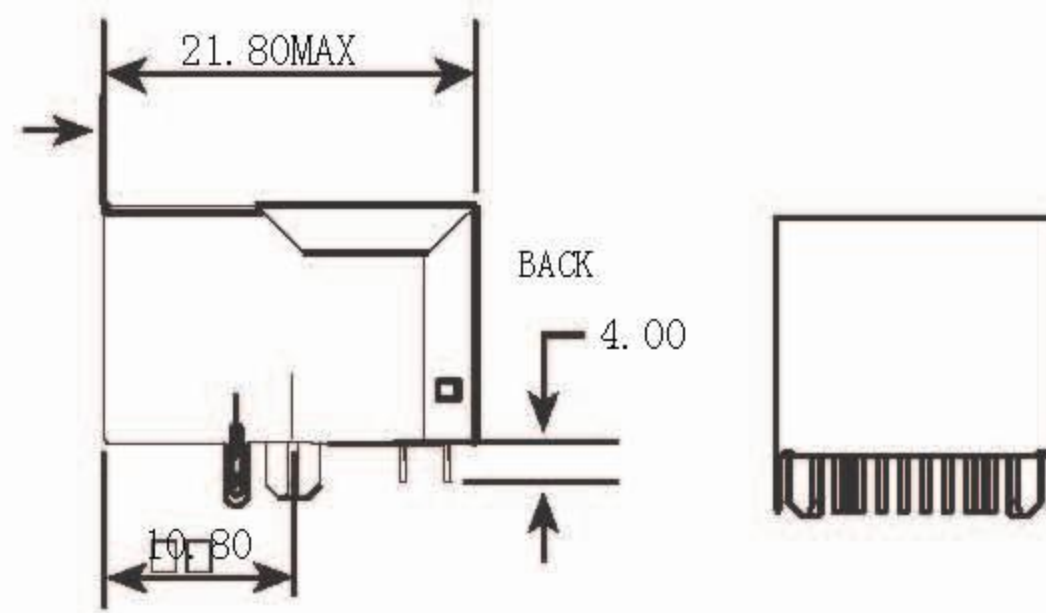
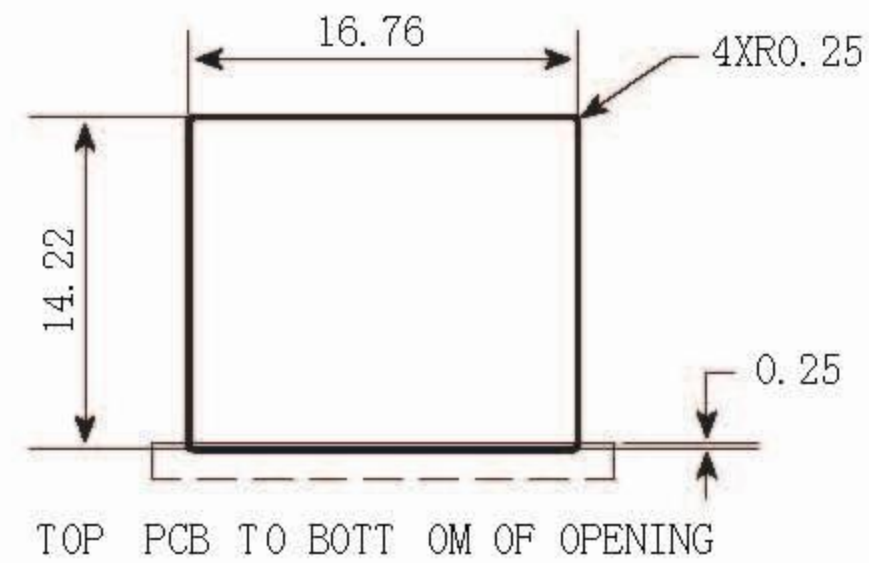
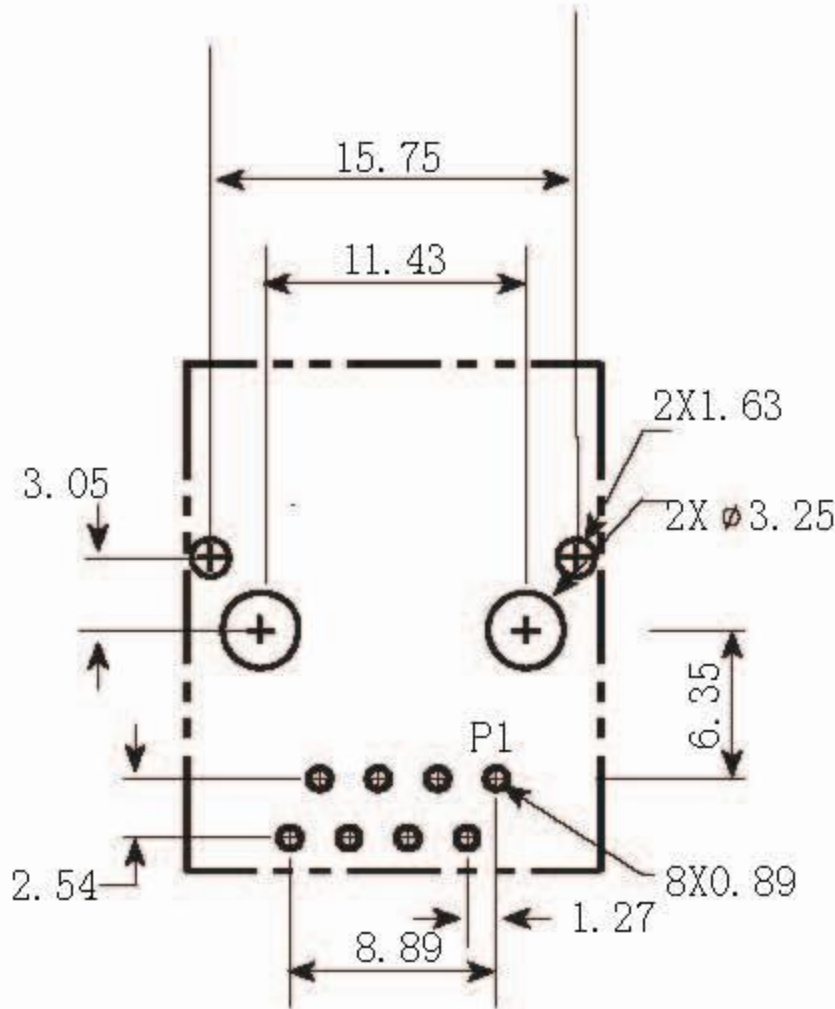


FRONT VIEW



SIDE VIEW



TOP PCB TO BOTT OM OF OPENING

ELECTRICAL SPECIFICATIONS @ 25°C unless otherwise noted:

Insertion Loss: 1-100MHZ -1.0dB MAX

Return Loss: 1-30MHZ -18.0dB MIN
 30-45MHZ -16.0dB MIN
 45-60MHZ -14.0dB MIN
 60-80MHZ -12.0dB MIN

Crosstalk: 1-100MHZ -35.0dB MIN

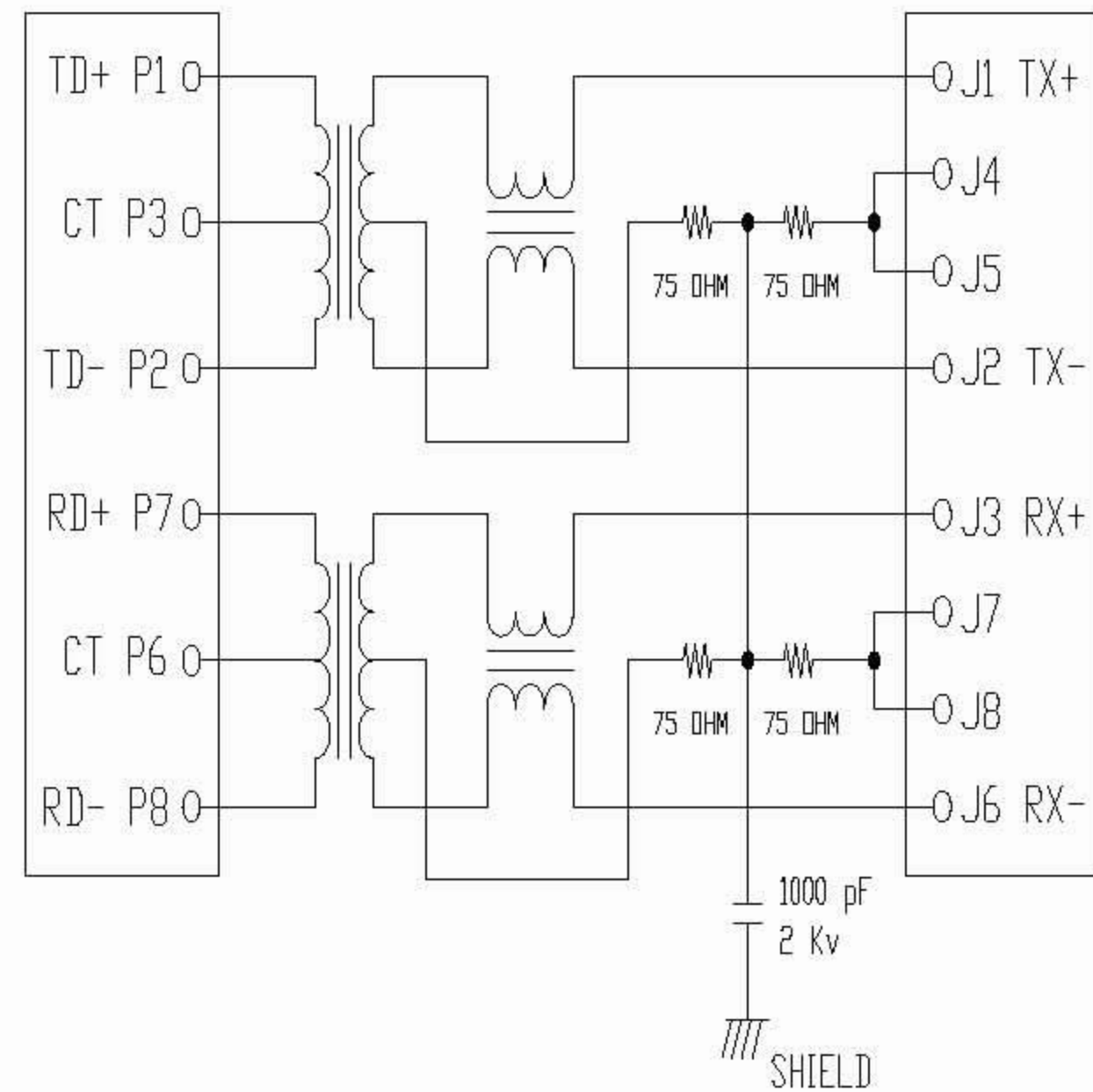
CMR: 1-100MHZ -35.0dB MIN

Hipot:1500V AC 6S 1mA

OCL:350uH MIN @ 100KHZ 100mV 8mA DC

LAN CHIP SIDE

RJ CABLE SIDE



X MULTIPLE

Unless otherwise specified:
 Tolerances: Fractions: ±1/64
 Angles: ±1° Decimals: ±.005[.13]

Approved By: JACKY

10/100BASE, Tab-Down RJ45
 Single port, shielded with
 one LED

Part No: XMF-XARJ-1106ANL-TZ
 REV. A

Drafted by: HERO

SHEET 1 OF 1