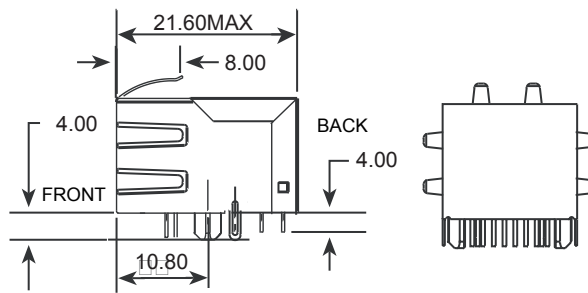
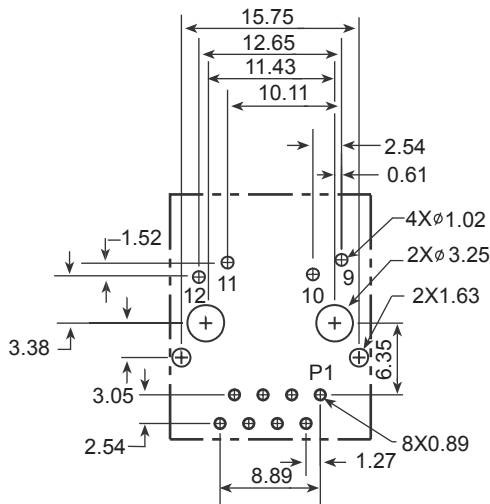


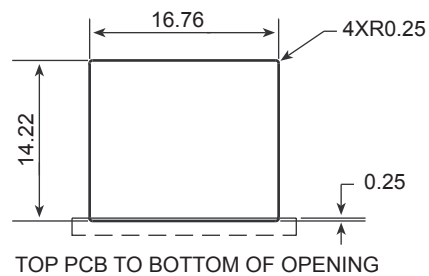
FRONT VIEW



SIDE VIEW



Viewed from PCB Component side



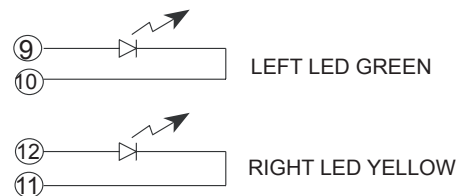
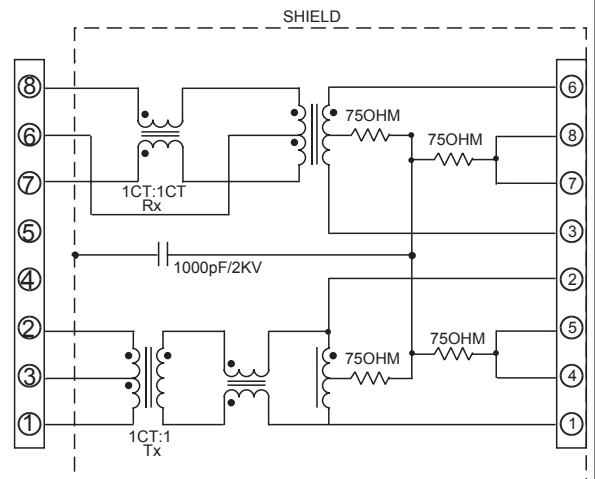
TOP PCB TO BOTTOM OF OPENING

ELECTRICAL SPECIFICATIONS @ 25°C unless otherwise noted:

- Insertion Loss:** 1-100MHZ -1.0dB MAX
- Return Loss:** 1-30MHZ -16.0dB MIN
30-60MHZ -14.0dB MIN
60-80MHZ -10.0dB MIN
- Crosstalk:** 1-30MHZ -40.0dB MIN
30-60MHZ -35.0dB MIN
60-100MHZ -30.0dB MIN
- CMRR:** 1-100MHZ -30.0dB MIN

Hipot:1500V AC 6S 1mA

OCL:350uH MIN @ 100KHZ 100mV 8mA DC



X MULTIPLE

Drafted by: Hero

UNIT:mm
.xx +/-0.25, .xxx +/-0.13

10/100BASE
1X1 Tab-Down RJ45

Approved By: Jacky

Part No:
XARJ-007ANL

REV.
A

SHEET 1 OF 1